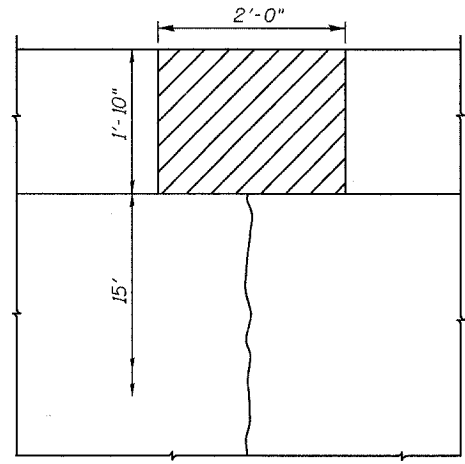
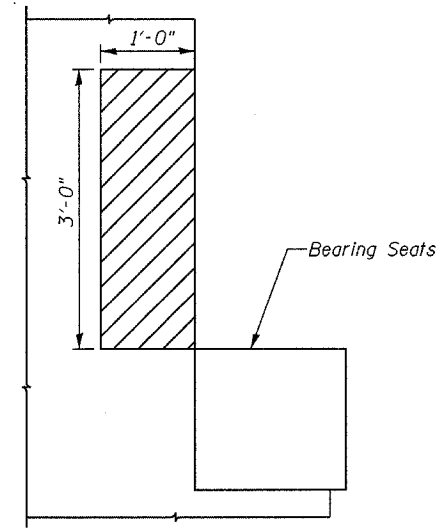


STATE OF ILLINOIS  
DEPARTMENT OF TRANSPORTATION

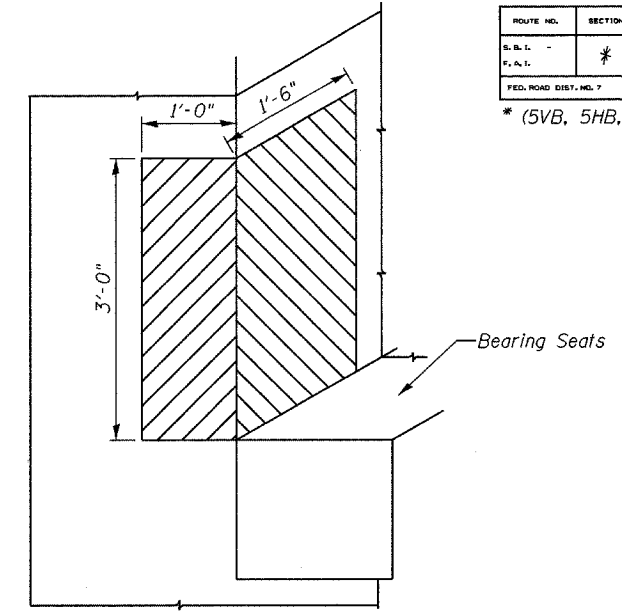
ROUTE NO.	SECTION	COUNTY	SHEET NO.	SHEET	SHEET NO. 6
S.B.L.	*	Winnebago	36	23	9 SHEETS
F.A.P.					
FED. ROAD DIST. NO. 7	ILLINOIS	FED. AID PROJECT	* (5VB, 5HB, 1-2HB)M CONTRACT #64A88		



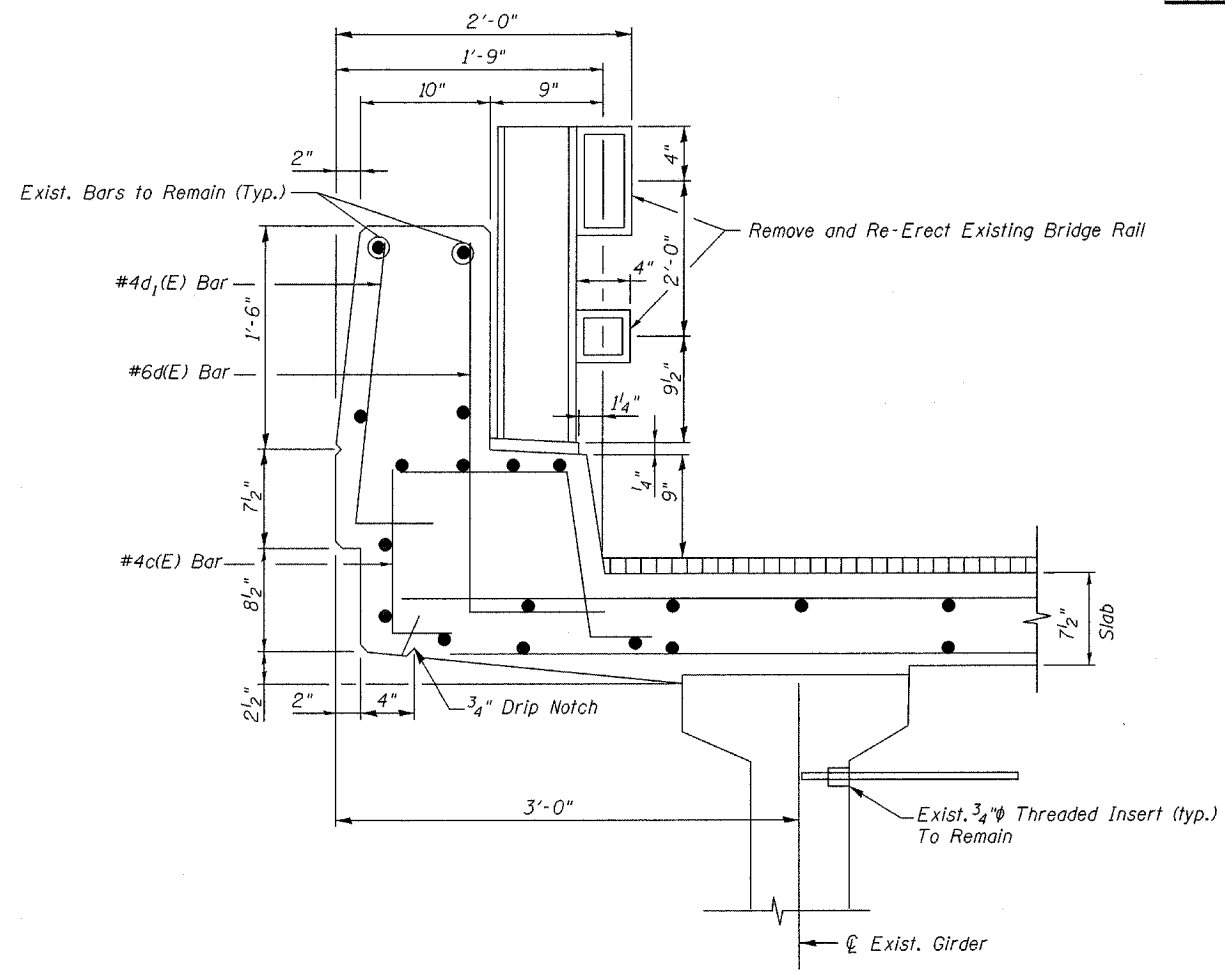
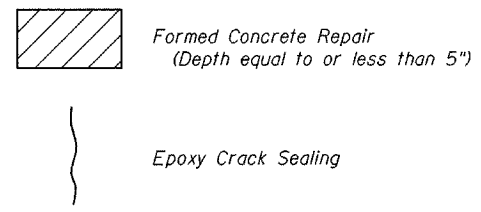
**ELEVATION - SOUTH ABUTMENT**  
**S.N. 101-0031**



**EAST WALL SOUTH ABUTMENT**  
**S.N. 101-0032**



**WEST WALL NORTH ABUTMENT**  
**S.N. 101-0032**



**TYP. SECTION THRU EXIST. PARAPET**

SHOWING STEEL RETROFIT RAIL  
(For Information Only)  
Note: Contractor must ensure that rails are properly marked before removal to ensure proper placement during re-erection.

**BILL OF MATERIAL**

DESIGNED	SB, DP
CHECKED	SB
DRAWN	BH, BS
CHECKED	SB

ITEM	UNIT	TOTAL
Formed Concrete Repair (Depth Equal to or Less Than 5")	Sq. Ft.	15
Epoxy Crack Sealing	Foot	15

ABUTMENT REPAIRS  
F.A.P. Route 303 & F.A.P. Route 738  
(IL 251) OVER Rockton Road  
SECTION (5VB, 5HB, 1-2HB)M  
WINNEBAGO COUNTY  
SN 101-0031 & 101-0032