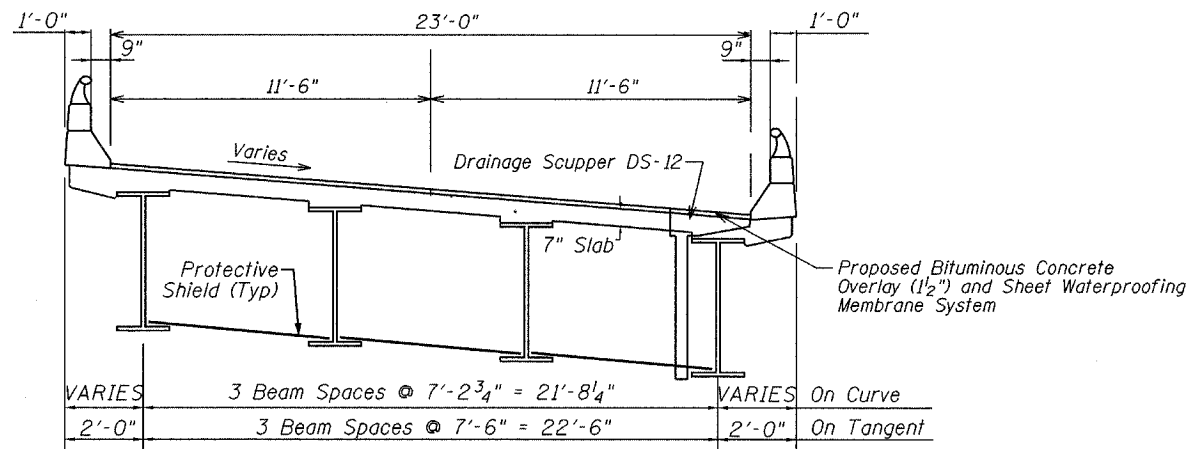


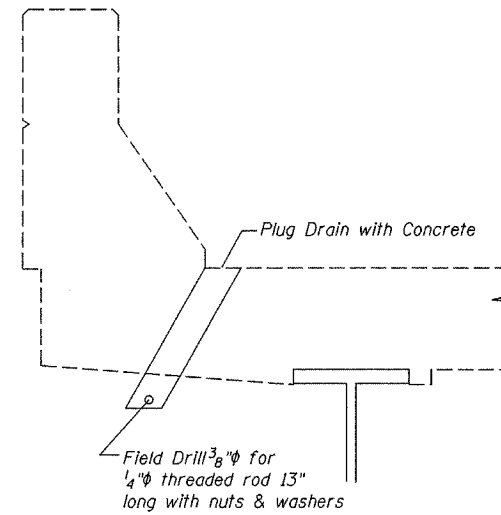
STATE OF ILLINOIS
DEPARTMENT OF TRANSPORTATION

ROUTE NO.	SECTION	COUNTY	TOTAL SHEETS	SHEET NO.	SHEET NO. 4
S.B.I. 173	*	Winnebago	36	30	8 SHEETS
FED. ROAD DIST. NO. 7	ILLINOIS	FED. AID PROJECT			

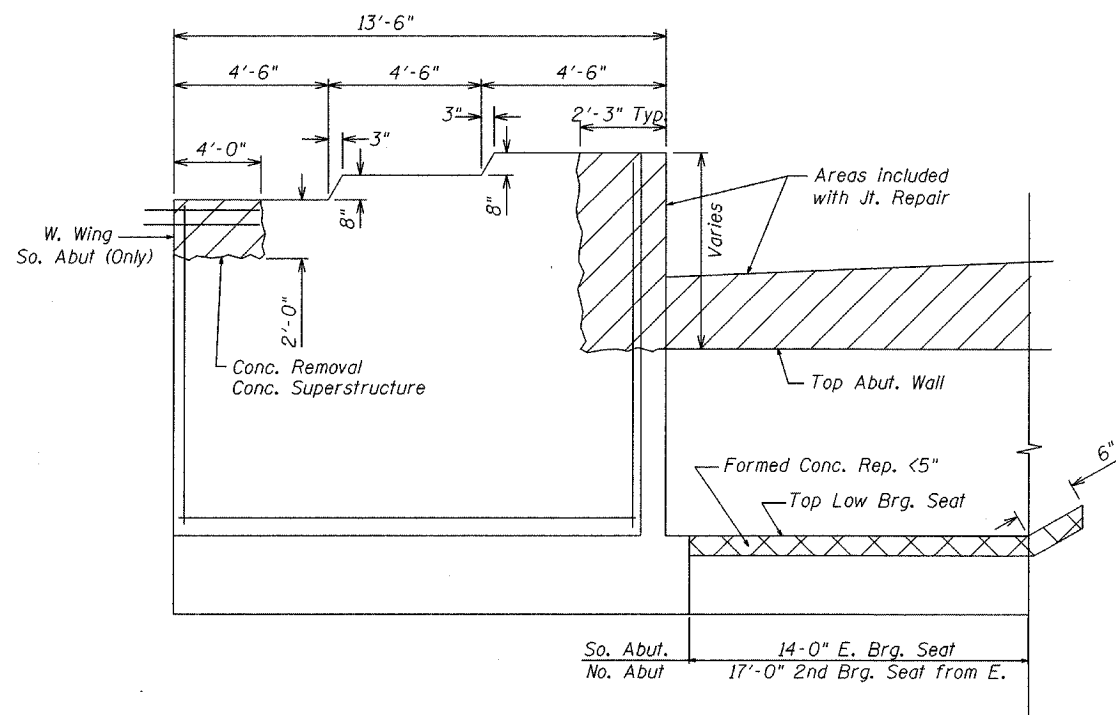
* (5VB, 5HB, 1-2HB)M Contract #64A88



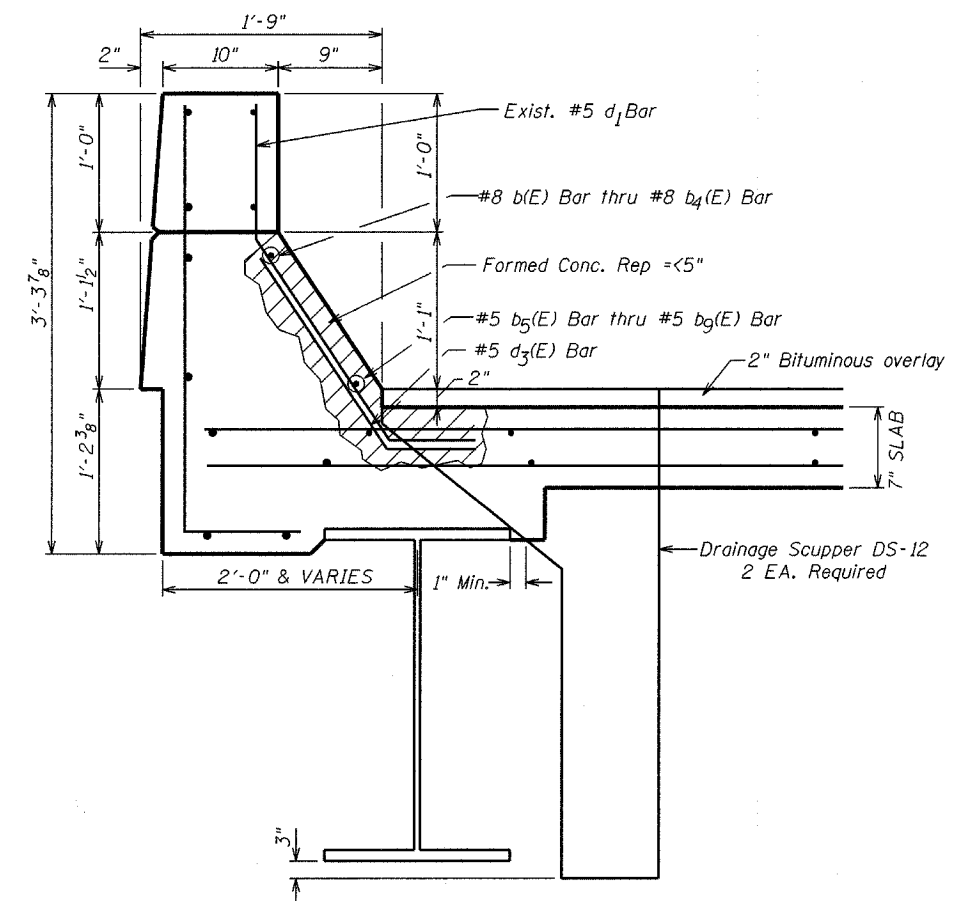
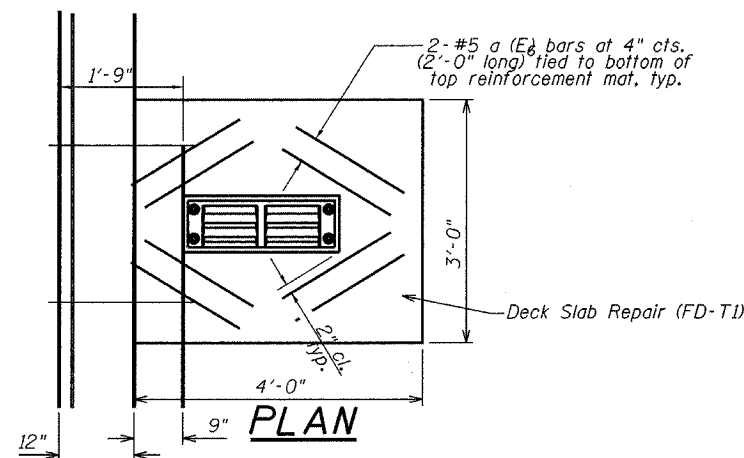
DECK CROSS SECTION
(Looking North)



DRAIN ELIMINATION DETAIL
(23 Ea. Required)



TYPICAL WING WALL



TYP. SECTION THRU PARAPET

Note: Cut longitudinal reinforcement to clear drainage scupper

DECK CROSS SECTION &
SCUPPER DETAILS
S.B.I. Rte. 173 OVER
F.A. Rte. 188
SECTION D-2 JOINT REPAIRS 2004-1
WINNEBAGO COUNTY
SN 101-0123

DESIGNED	SB, DP
CHECKED	SB
DRAWN	BH, BS
CHECKED	SB