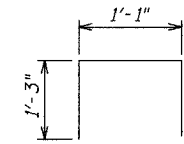
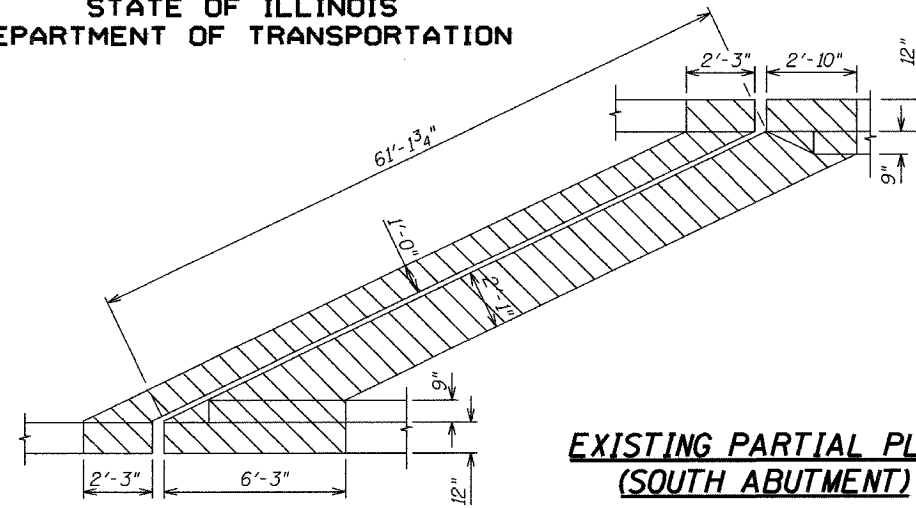
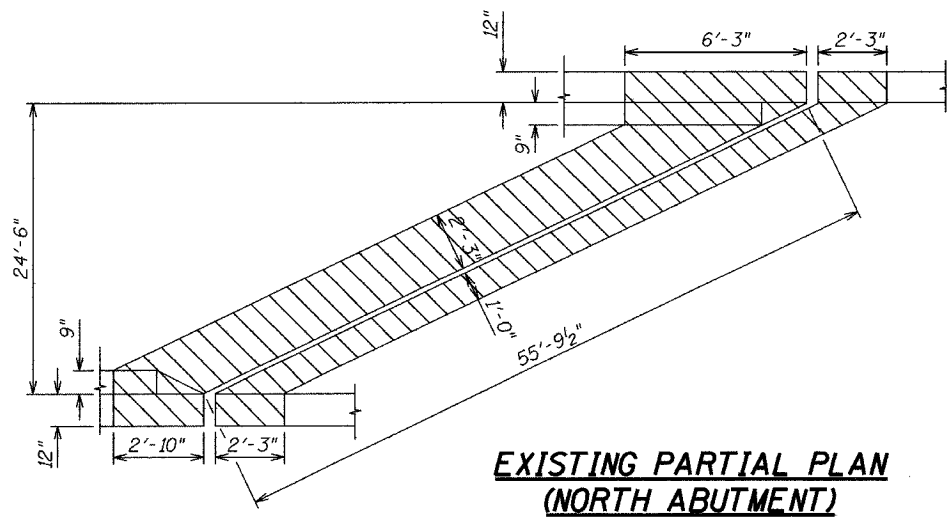
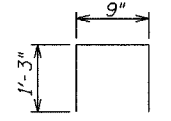


STATE OF ILLINOIS  
DEPARTMENT OF TRANSPORTATION

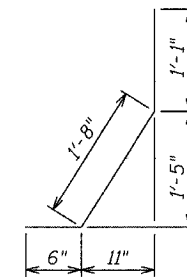
ROUTE NO.	SECTION	COUNTY	SHEET	SHEET NO.
F.A.P.	*	Winnebago	36	31
SHEETS				
* Section (5VB,5HB,1-2HB)M Contract #64A88				



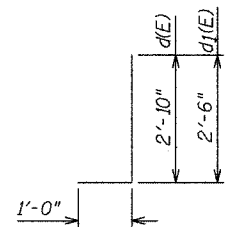
#5 u(E) Bar



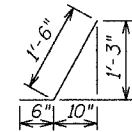
#5 u1(E) Bar



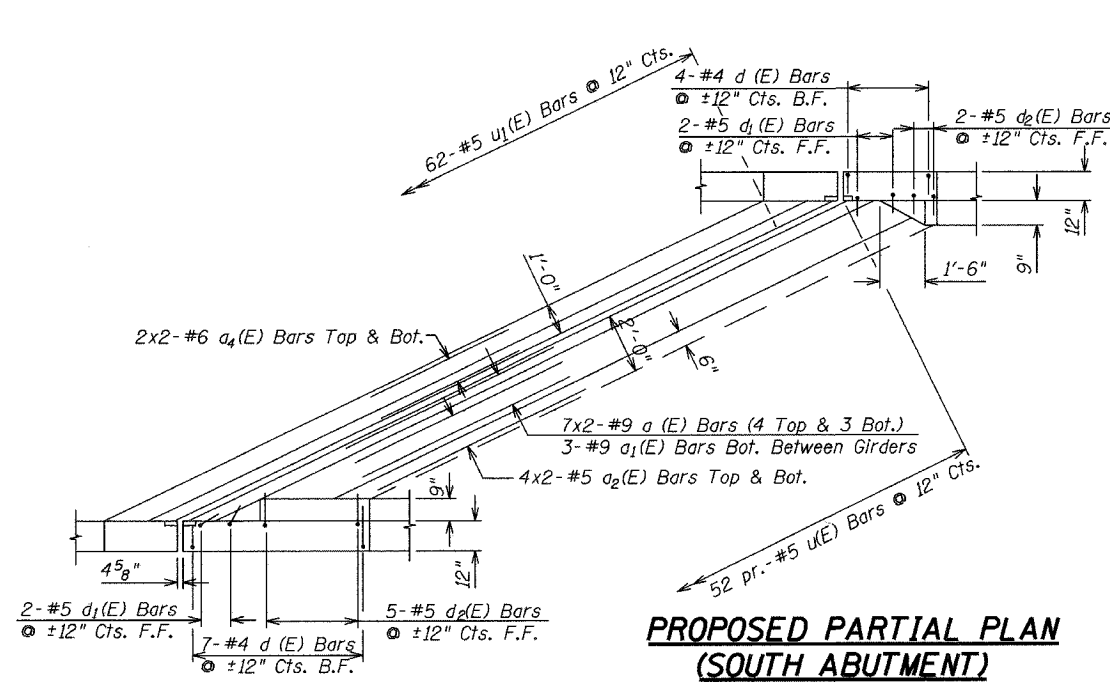
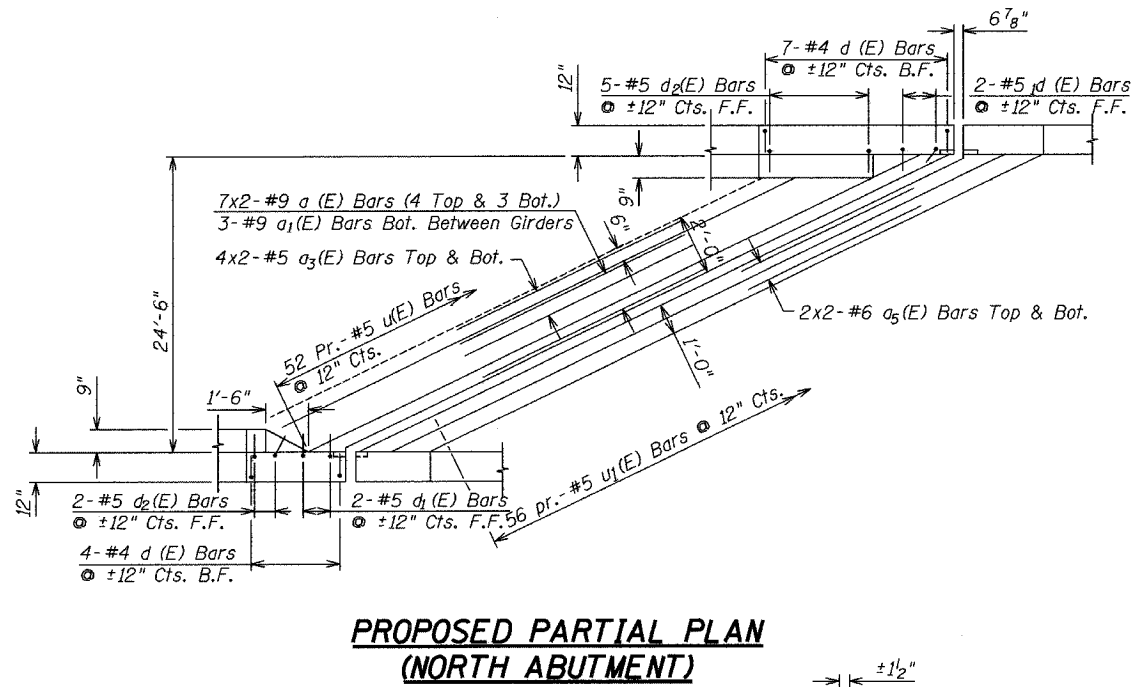
#5 d2(E) Bar



#4 d(E) Bar  
#5 d1(E) Bar

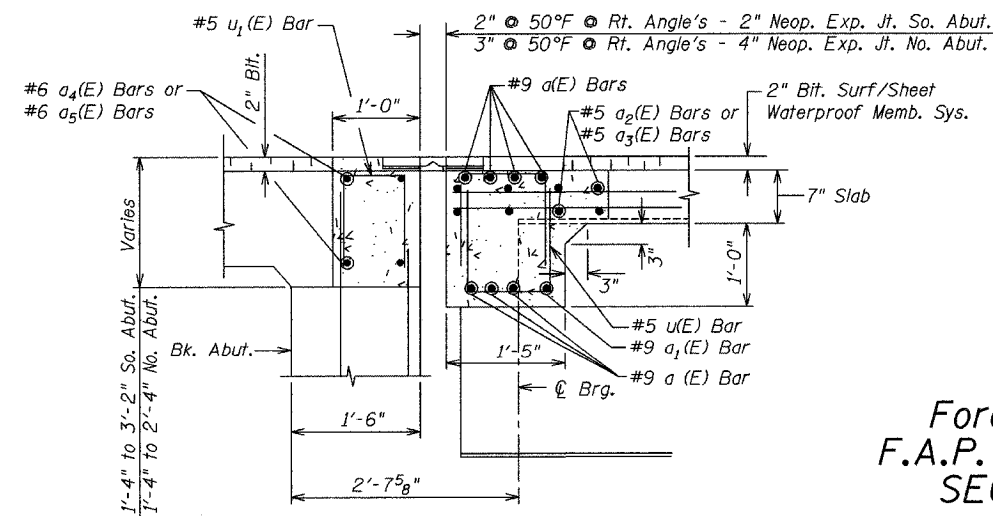
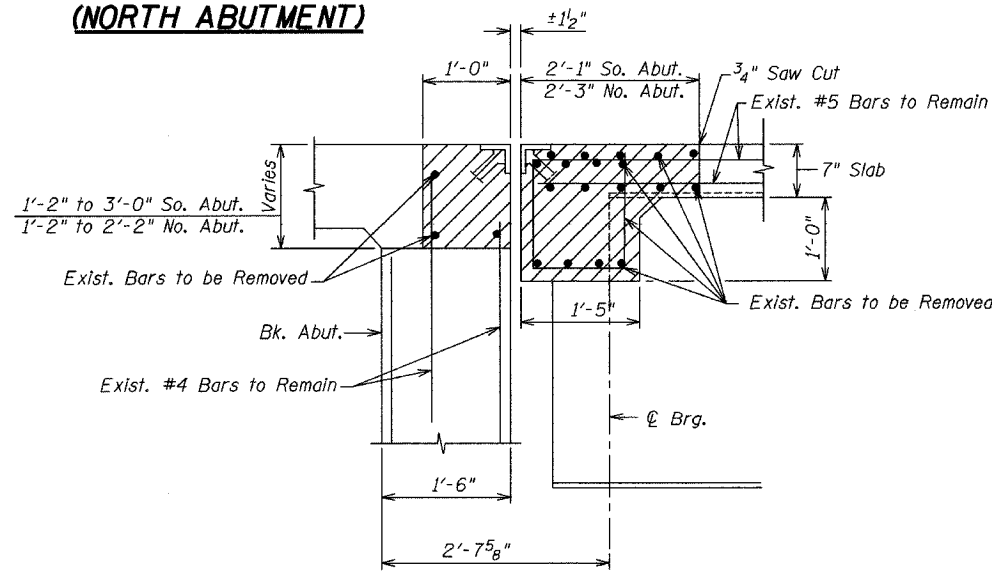


#5 d3(E) Bar



PROPOSED PARTIAL PLAN (NORTH ABUTMENT)

PROPOSED PARTIAL PLAN (SOUTH ABUTMENT)



Min. Bar Lap

#5	2'-5"
#6	2'-10"
#8	5'-1"
#9	6'-4"

JOINT DETAILS  
Forest Hills Road Ramp Over  
F.A.P. 303 & F.A.P. 738 (IL 251)  
SECTION (5VB,5HB,1-2HB)M  
WINNEBAGO COUNTY  
SN 101-0123

DESIGNED	SB, DP
CHECKED	SB
DRAWN	BH, BS
CHECKED	SB