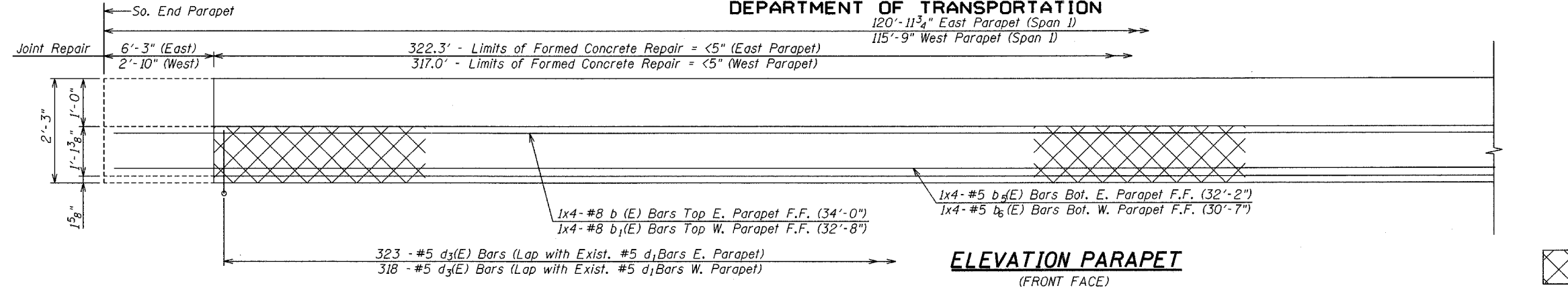


STATE OF ILLINOIS
DEPARTMENT OF TRANSPORTATION

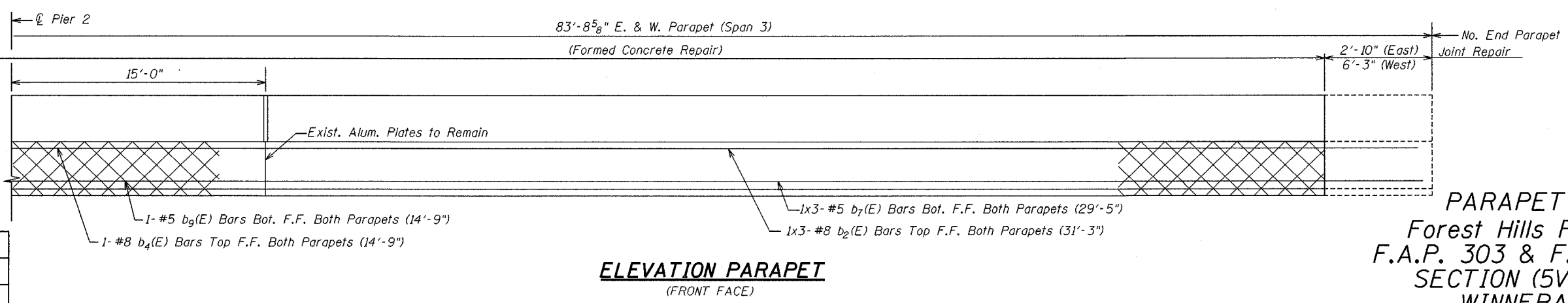
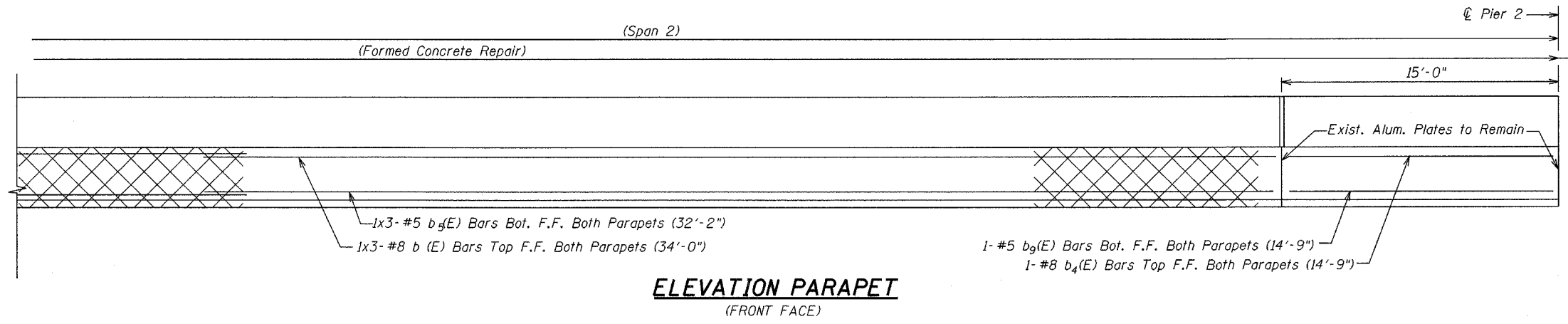
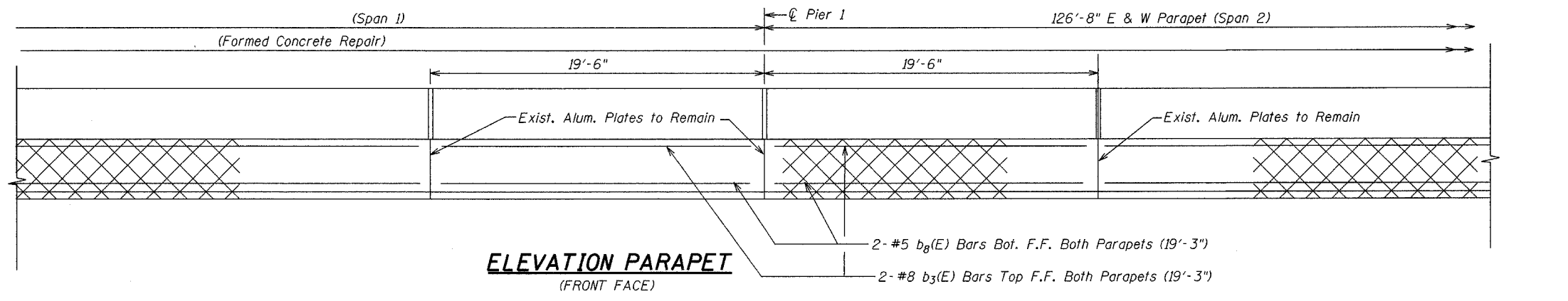
ROUTE NO.	SECTION	COUNTY	TOTAL SHEETS	SHEET NO.	SHEET NO. 6
F.A.P. #	*	Winnebago	36	32	8 SHEETS
FED. ROAD DIST. NO. 7	ILLINOIS	FED. AID PROJECT			

* Section (5VB,5HB,1-2HB)M Contract #64A88



Formed Concrete Repair Depth less than 5"

Note:
See sheet 3 of 8 for typical section thru parapet.



DESIGNED	SB, DP
CHECKED	SB
DRAWN	BH, BS
CHECKED	SB

PARAPET DETAILS
Forest Hills Road Ramp Over
F.A.P. 303 & F.A.P. 738 (IL 251)
SECTION (5VB,5HB,1-2HB)M
WINNEBAGO COUNTY
SN 101-0123