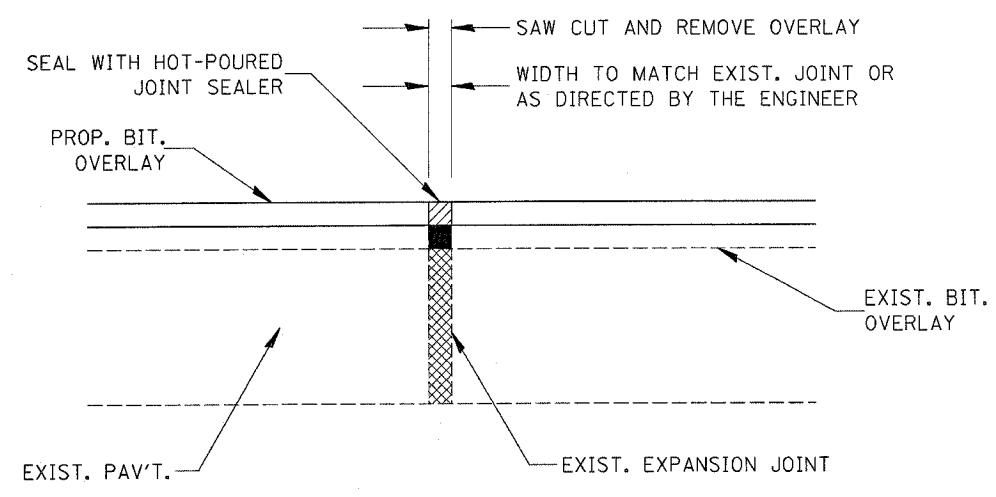


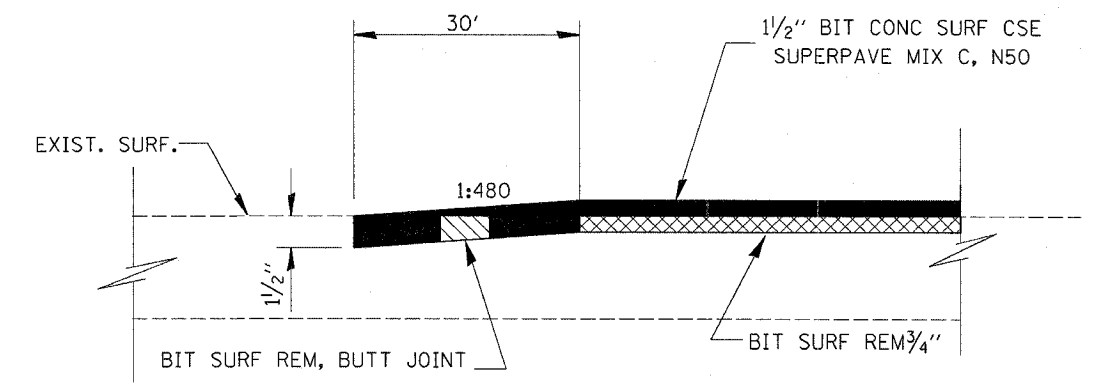
F.A.P. RTE.	SECTION	COUNTY	TOTAL SHEETS	SHEET NO.
681	(118,119)RS-3	IRROQUOIS	18	17
STA.	TO STA.			
FED. ROAD DIST. NO.	ILLINOIS FED. AID PROJECT			



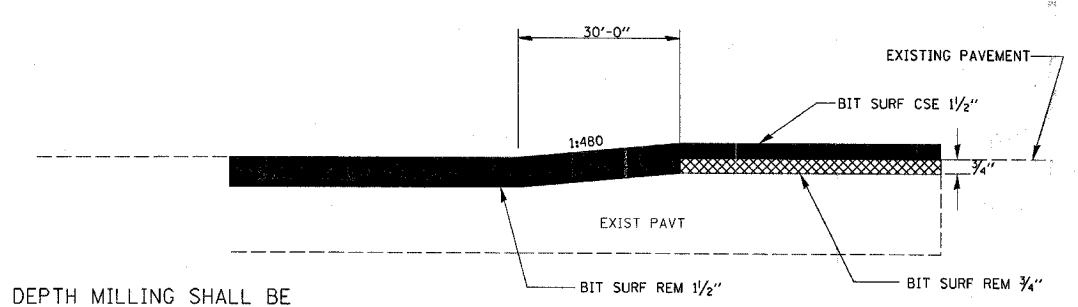
EXPANSION JOINT REHABILITATION DETAIL

GENERAL NOTES:

1. THE NEW BITUMINOUS OVERLAY SHALL BE SAWED, REMOVED, AND THE JOINT AREA CLEANED. PRIOR TO PLACING THE HOT-POURED JOINT SEALER THE JOINT SHALL BE BLOWN OUT WITH COMPRESSED AIR.
2. THIS WORK SHALL BE PAID FOR AT THE CONTRACT UNIT PRICE PER FOOT FOR EXPANSION JOINT REHABILITATION.



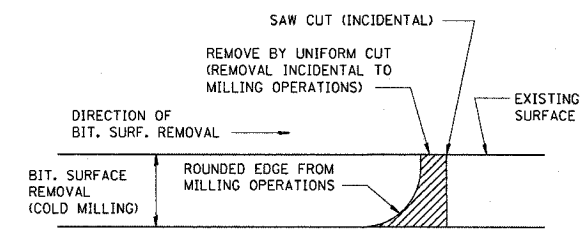
BITUMINOUS SURF REM - BUTT JT



NOTE: VARIABLE DEPTH MILLING SHALL BE PAID FOR AS BIT SURF REM 1/2"

BITUMINOUS SURFACE REMOVAL TRANSITION

608+33 TO 608+63



NOTE: WHEN MILLING OPERATIONS PRODUCE A ROUNDED EDGE, THEN A SAW CUT SHALL BE USED TO MANUFACTURE A PERPENDICULAR EDGE AS SHOWN IN THE DETAIL. THE ENGINEER SHALL BE THE SOLE JUDGE CONCERNING THE USE OF THIS DETAIL

BITUMINOUS DETAIL AT BUTT JOINTS

DETAILS

3/11/2005 c:\proj\sects\ed03104\o1\shfts.dgn