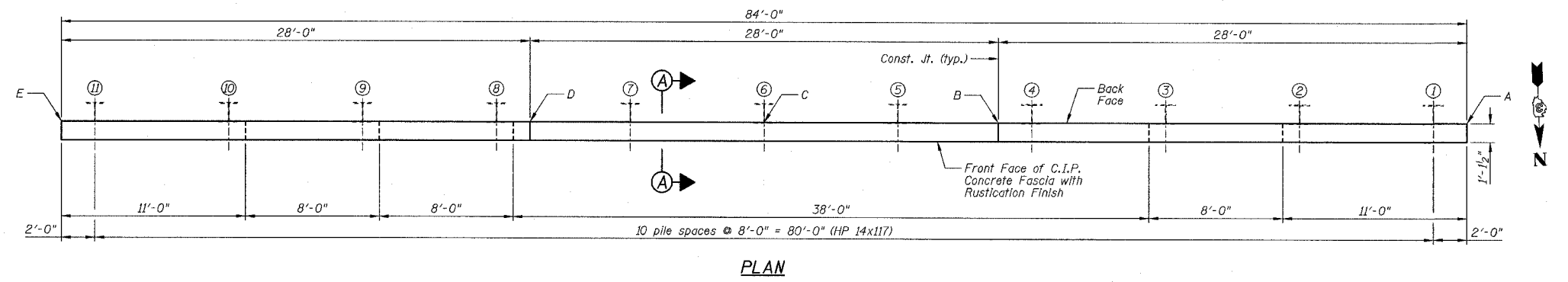
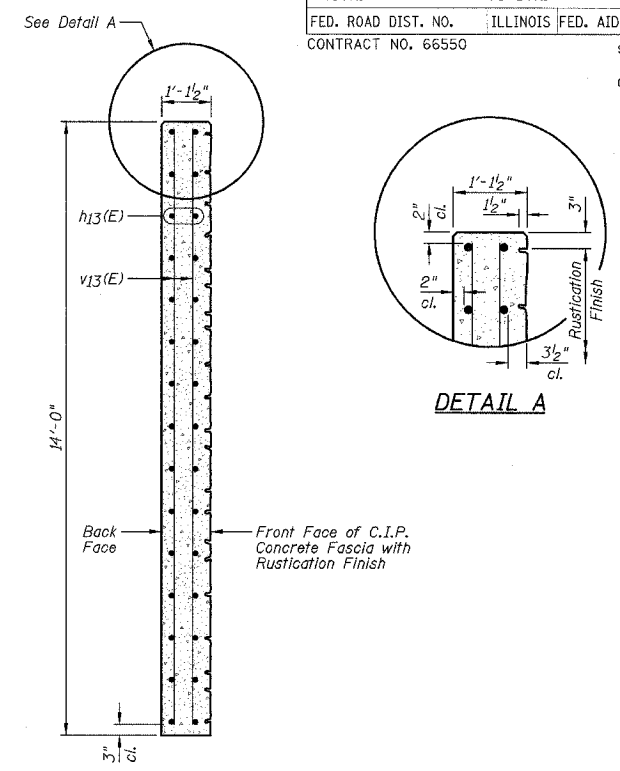
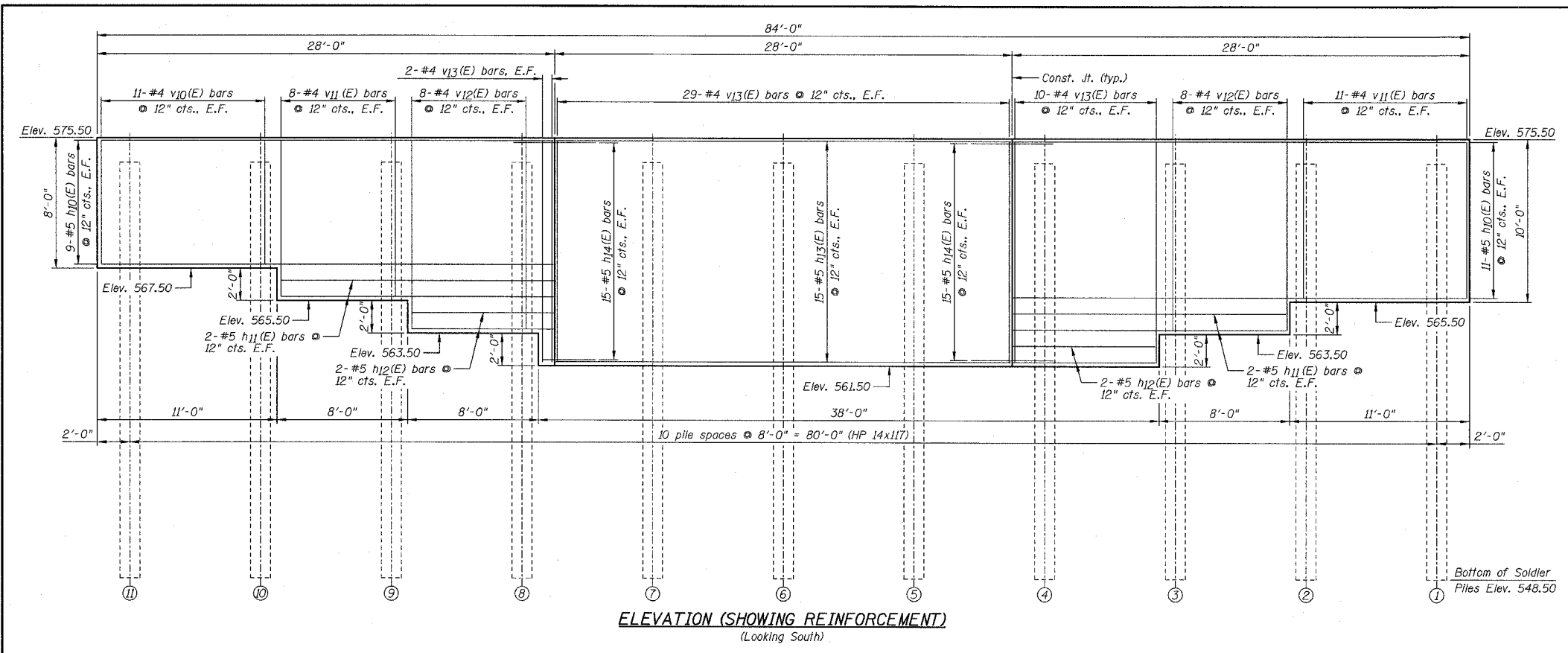


F.A.P. RTE.	SECTION	COUNTY	TOTAL SHEETS	SHEET NO.
627	(1-1I-1)	LA SALLE	60	22
STA.	TO STA.			
FED. ROAD DIST. NO.	ILLINOIS FED. AID PROJECT			
CONTRACT NO. 66550	SHEET NO. B3			

OF 9 SHEETS



BILL OF MATERIALS

Bar	No.	Size	Length	Shape
h10(E)	40	#5	27'-8"	—
h11(E)	8	#5	16'-8"	—
h12(E)	8	#5	8'-8"	—
h13(E)	30	#5	27'-10"	—
h14(E)	60	#5	5'-0"	—
v10(E)	22	#4	7'-7"	—
v11(E)	38	#4	9'-7"	—
v12(E)	32	#4	11'-7"	—
v13(E)	82	#4	13'-7"	—
Item	Unit	Quantity		
Concrete Structures	Cu. Yds.	41.8		
Stud Shear Connectors	Each	166		
Furnishing Soldier Piles (HP 14x117)	Foot	281		
Reinforcement Bars, Epoxy Coated	Pound	3900		

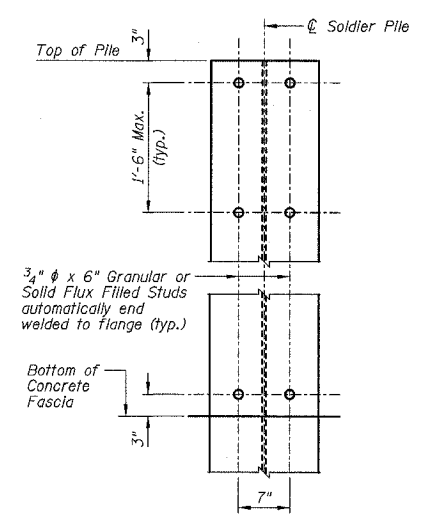
WALL INFORMATION CHART

Reference Points	Location at Wall	Station to Back Face of Wall	Offset to Back Face of Wall	Wall Height
A	Begin Wall	399+91.88	24.59' LT.	10'-0"
B	Const. Jt.	400+23.88	27.94' LT.	14'-0"
C	∅ Wall	400+40.14	27.94' LT.	14'-0"
D	Const. Jt.	400+56.29	26.81' LT.	14'-0"
E	End Wall	400+87.50	21.28' LT.	8'-0"

Note: See Plan for Reference Point locations.

STEEL SOLDIER PILE INFORMATION CHART

Pile No.	Station	Offset to Ctr. of Pile	Top of Pile Elevation	Bottom of Pile Elevation	Pile Length	No. of Stud Shear Connectors	Top of Class SI Concrete Encasement Elevation
1	399+94.22	24.52' LT.	574.00	548.50	25'-6"	14	565.50
2	400+03.24	25.84' LT.	574.00	548.50	25'-6"	14	563.50
3	400+12.37	26.79' LT.	574.00	548.50	25'-6"	16	561.50
4	400+21.59	27.39' LT.	574.00	548.50	25'-6"	18	561.50
5	400+30.85	27.62' LT.	574.00	548.50	25'-6"	18	561.50
6	400+40.12	27.48' LT.	574.00	548.50	25'-6"	18	561.50
7	400+49.35	26.97' LT.	574.00	548.50	25'-6"	18	561.50
8	400+58.51	26.11' LT.	574.00	548.50	25'-6"	16	561.50
9	400+67.56	24.87' LT.	574.00	548.50	25'-6"	14	563.50
10	400+76.47	23.30' LT.	574.00	548.50	25'-6"	10	565.50
11	400+85.21	21.37' LT.	574.00	548.50	25'-6"	10	567.50



NOTES:

- 1.) Work this sheet with Sheets B1, B2 and B4.
- 2.) E.F. denotes Each Face.
- 3.) For "Rustication Finish" details see Sheet B4.
- 4.) Reinforcement bars designated (E) shall be epoxy coated.
- 5.) h14(E) bars shall be field cut as required.
- 6.) Minimum lap length: #5 bar = 2'-2"
- 7.) See Sheet B2 for Construction Joint Detail.

WALL REINFORCEMENT AND SOLDIER PILE INFORMATION

IL ROUTE 71
SOLDIER PILE RETAINING WALL
F.A.P. ROUTE 627 - SEC. (1-1I-1)
LA SALLE COUNTY
STATION 399+91.88 TO STATION 400+87.50
STRUCTURE NO. 050-W001

DESIGNED BY: J.M.L.
 DRAWN BY: D.J.M.
 CHECKED BY: M.S.W.

Farnsworth GROUP
 2700 McGraw Drive
 Bloomington, Illinois 61704
 302/883-2435, 302/883-1671 fax

FILE NO. 24-6772
 DATE 03-24-05
 SHEET NO. 22 of 60