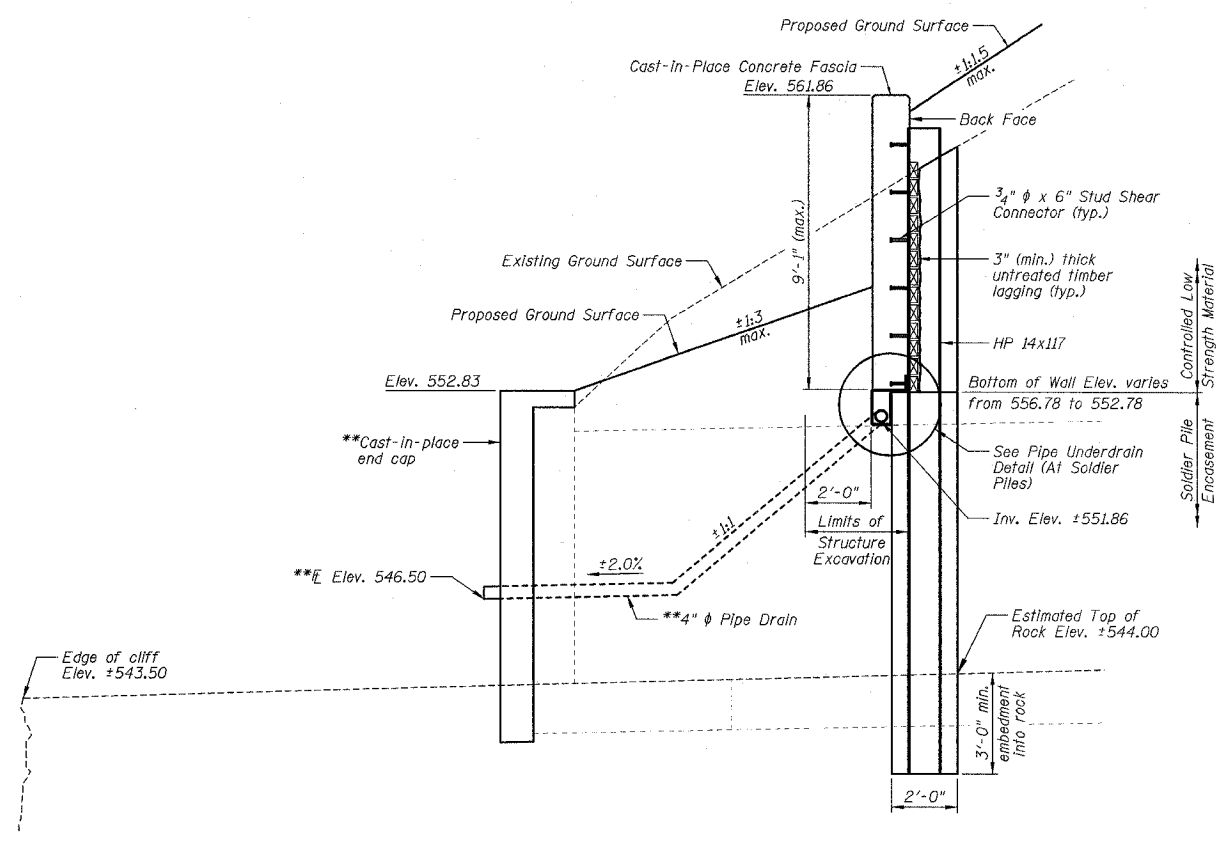
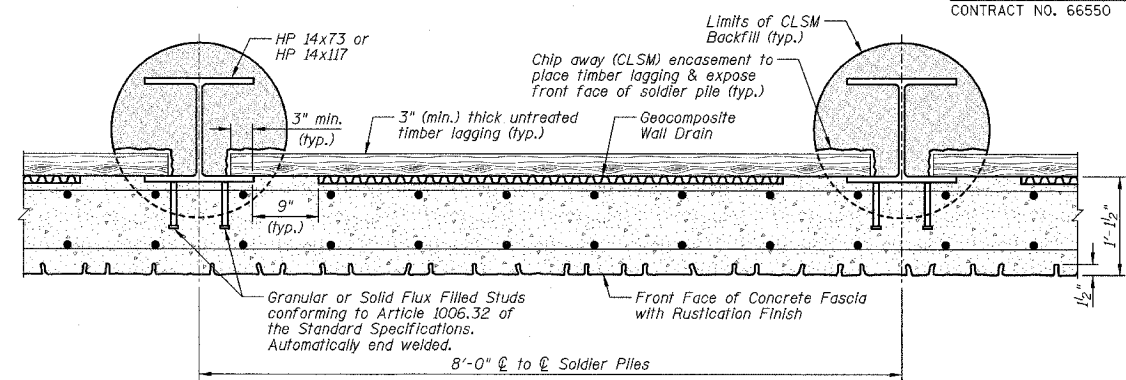


F.A.P. RTE.	SECTION	COUNTY	TOTAL SHEETS	SHEET NO.
627	(1-DI-1)	LA SALLE	60	36
STA.	TO STA.			
FED. ROAD DIST. NO.	ILLINOIS FED. AID PROJECT			
CONTRACT NO. 66550			SHEET NO. D2	

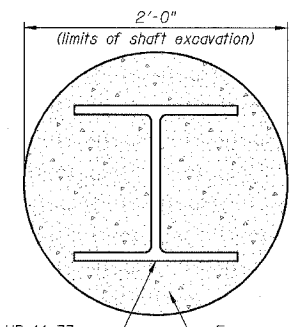
OF 6 SHEETS



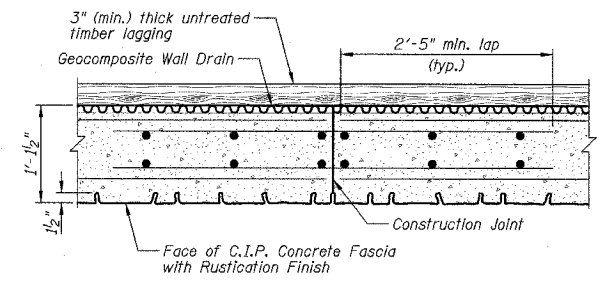
SECTION A-A



SECTION B-B



SECTION C-C



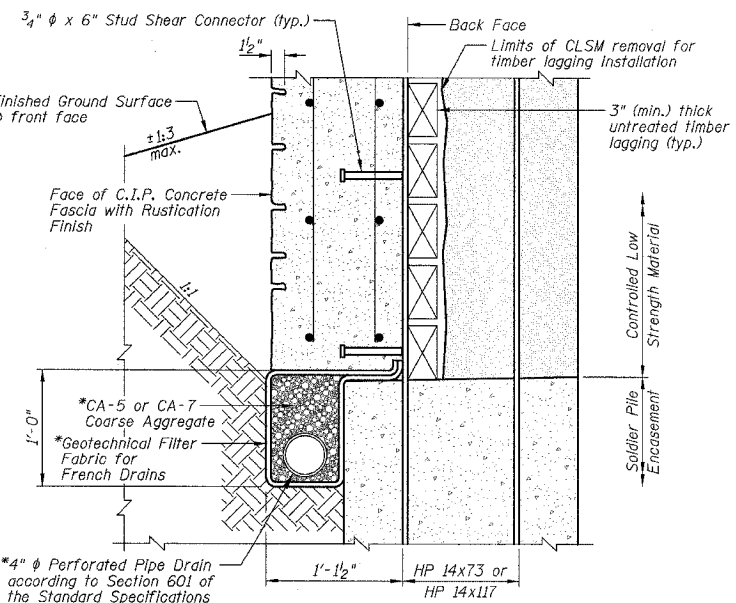
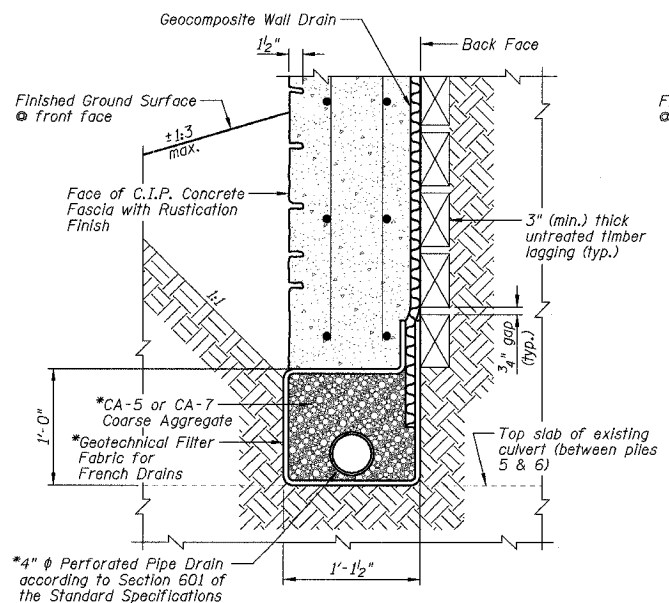
CONSTRUCTION JOINT DETAIL

GENERAL NOTES:

- 1.) Reinforcement bars shall conform to the requirements of AASHTO M31 or M322 Grade 60.
- 2.) See Sheets D5 and D6 for soil boring and rock core data.
- 3.) All exposed edges shall be chamfered 3/4" except as noted.
- 4.) The Contractor is responsible for the design and performance of the Untreated Timber Lagging using no less than a 3" nominal rough-sawn thickness and timber with a minimum fb of 1000 psi. The design shall be approved by the Engineer.
- 5.) Stud Shear Connectors shall be 3/4" x 6" granular or solid flux filled headed studs automatically end welded to the front flange in field.
- 6.) For information on the Drilled Soldier Pile Retaining Wall, see Special Provision "Drilled Soldier Pile Retaining Wall".
- 7.) All construction joints shall be bonded.
- 8.) See Sheet D4 for the limits of "Rustication Finish". See Special Provision "Rustication Finish" for additional information.
- 9.) All Cast-In-Place concrete shall be integrally colored. See the Special Provision "Colored Concrete - Cast-In-Place" for additional information.
- 10.) For backfilling of the retaining wall, see the Standard Specifications.
- 11.) Plan dimensions and details relative to existing structure have been taken from existing plans and are subject to nominal construction variations. It shall be the Contractor's responsibility to verify such dimensions and details in the field and make necessary approved adjustments prior to construction or ordering of materials. Such variations shall not be cause for additional compensation for a change in the scope of the work, however, the Contractor will be paid for the quantity actually furnished at the unit price for the work.
- 12.) See Roadway Plans for 4" Pipe Drain quantity.
- 13.) C.I.P. denotes Cast-In-Place.
- 14.) For Existing Culvert plans, Structure No. 050-C803, see Sheets C5 and C6.
- 15.) Contractor to take caution when working near edge of cliff.

STATION 401+80.00 TO STATION 402+64.00
BUILT 200. BY
STATE OF ILLINOIS
F.A.P. RTE. 627 SECTION (1-DI-1)
F.A. PROJECT:
STR. NO. 050-W003

NAME PLATE DETAIL
See Standard 515001



PIPE UNDERDRAIN DETAIL
*Cost included with "Pipe Underdrains for Structures".

TOTAL WALL BILL OF MATERIALS

ITEMS	UNITS	TOTAL
Structure Excavation	Cu Yd	85
Concrete Structures	Cu Yd	27.7
Rustication Finish	Sq Ft	643
Stud Shear Connectors	Each	104
Untreated Timber Lagging	Sq Ft	512
Furnishing Soldier Piles (HP 14x73)	Foot	158
Furnishing Soldier Piles (HP 14x117)	Foot	40
Reinforcement Bars, Epoxy Coated	Pound	5320
Name Plates	Each	1
Geocomposite Wall Drain	Sq Yd	43
Pipe Underdrains for Structures 4"	Foot	87
Drilling and Setting Soldier Piles (In Rock)	Cu Ft	95
Drilling and Setting Soldier Piles (In Soil)	Cu Ft	509

NOTES:

- 1.) Work this sheet with Sheets D1, D3 and D4.
- 2.) For location of Sections A-A, B-B and C-C see Sheet D1.
- 3.) **See Culvert plans, Structure No. 050-C803, Sheets C1 thru C4.

GENERAL NOTES, BILL OF MATERIALS, SECTIONS AND DETAILS

IL ROUTE 71
SOLDIER PILE RETAINING WALL
F.A.P. ROUTE 627 - SEC. (1-DI-1)
LA SALLE COUNTY
STATION 401+80.00 TO STATION 402+64.00
STRUCTURE NO. 050-W003

DESIGNED BY
J.M.L.

DRAWN BY
D.J.M.

CHECKED BY
M.S.W.

Farnsworth GROUP
2700 McGraw Drive
Bloomington, Illinois 61704
309/893-8433, 309/893-1671 fax

FILE NO.
24-6772

DATE
03-24-05

SHEET NO.
36 OF 60