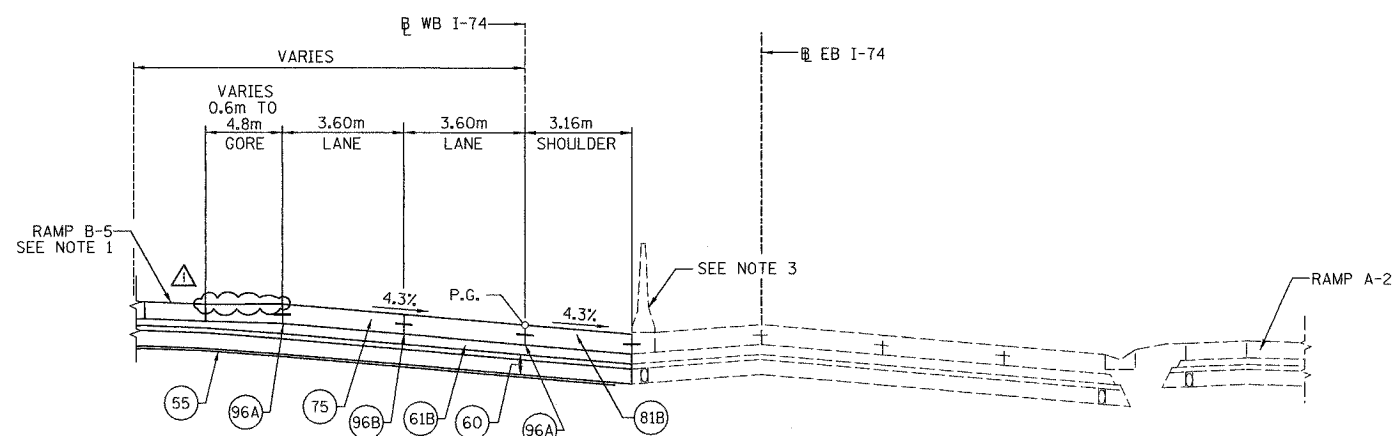


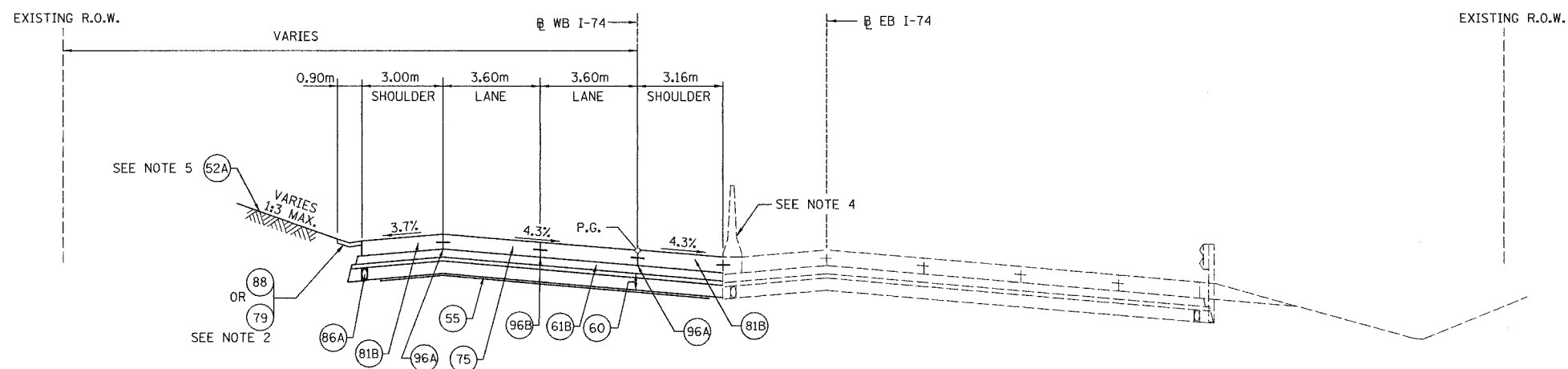
F.A. RTE.	SECTION	COUNTY	TOTAL SHEETS	SHEET NO.
74	(72-71R-3)	PEORIA	1360	34
STA.		TO STA.		
FED. ROAD DIST. NO.		ILLINOIS	FED. AID PROJECT	



TYPICAL SECTION-06
FAI ROUTE 74
STA. 143+137.760 WB TO STA. 143+324.636 WB

LEGEND:

- (52A) PR TOPSOIL, FURNISH AND PLACE, 100mm
- (54) PR POROUS GRANULAR EMBANKMENT
- (55) PR GEOTECHNICAL FABRIC FOR GROUND STABILIZATION
- (60) PR AGGREGATE SUB-BASE, 300 mm
- (61B) PR BITUMINOUS CONCRETE BINDER COURSE SUPERPAVE IL-19.0L (LOW ESAL), 150 mm
- (75) PR CONTINUOUSLY REINFORCED PORTLAND CEMENT CONCRETE PAVEMENT, 290 mm
- (79) PR AGGREGATE SHOULDERS, TYPE B
- (81B) PR PORTLAND CEMENT CONCRETE SHOULDERS 290 mm
- (86A) PR PIPE UNDERDRAINS 100 mm
- (86B) PR PIPE UNDERDRAINS 150 mm
- (88) PR CONCRETE GUTTER, TYPE A (MODIFIED)
- (92A) PR CONCRETE BARRIER, DOUBLE FACE
- (96A) PR LONGITUDINAL CONSTRUCTION JOINT
- (96B) PR SAWED LONGITUDINAL JOINT



TYPICAL SECTION-7
FAI ROUTE 74
STA. 143+324.636 WB TO STA. 143+621.043 WB

NOTES:

1. RAMP B-5 APPLIES BETWEEN STA. 142+879.993 (WB) AND STA. 143+325.00 (WB). FOR DETAILS SEE RAMP B-5 TYPICAL SECTION.
2. PROPOSED CONCRETE GUTTER, TYPE A (MODIFIED) APPLIES BETWEEN STA. 143+400.00 (WB) AND STA. 143+538.911 (WB). AGGREGATE SHOULDER, TYPE B APPLIES AT OTHER LOCATIONS.
3. PROPOSED CONCRETE MEDIAN BARRIER, DOUBLE FACE APPLIES BETWEEN STA. 143+100.000 (WB) AND STA. 143+320.000 (WB).
4. PROPOSED CONCRETE MEDIAN BARRIER, DOUBLE FACE APPLIES BETWEEN STA. 143+570.000 (WB) AND STA. 143+630.000 (WB).
5. RAMP A-3 APPLIES BETWEEN STA. 143+580.465 (WB) AND STA. 143+780.000 (WB). FOR DETAILS SEE RAMP A-3 TYPICAL SECTIONS.

6. MEDIAN PIPE UNDERDRAINS TO OUTLET INTO MEDIAN STORM SEWER SYSTEM.
7. OFFSET PIPE UNDERDRAINS TO AVOID CONFLICTS WITH BRIDGES, LIGHTING FOUNDATIONS AND DRAINAGE STRUCTURE ELEMENTS.

REVISIONS	
NAME	DATE
ADDENDUM #1	MAY 27 2005
REVISED	
SHEET	

ILLINOIS DEPARTMENT OF TRANSPORTATION
TYPICAL SECTIONS
FAI ROUTE 74 (I-74) (WB)
PROPOSED MAINLINE

DRAWN BY CADD
CHECKED BY MWP

DATE 11/12/04

