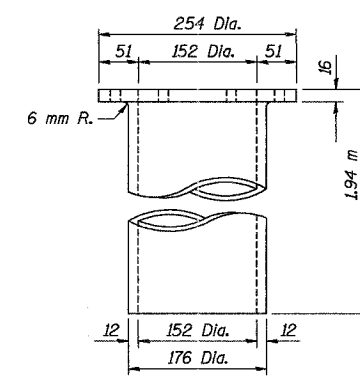
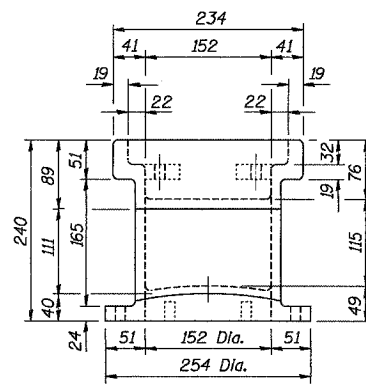
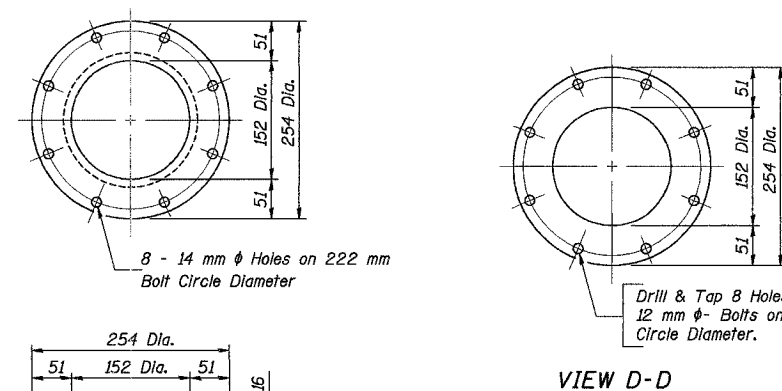
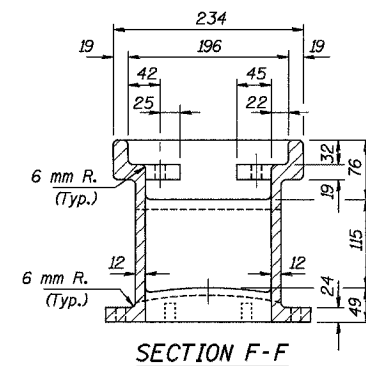
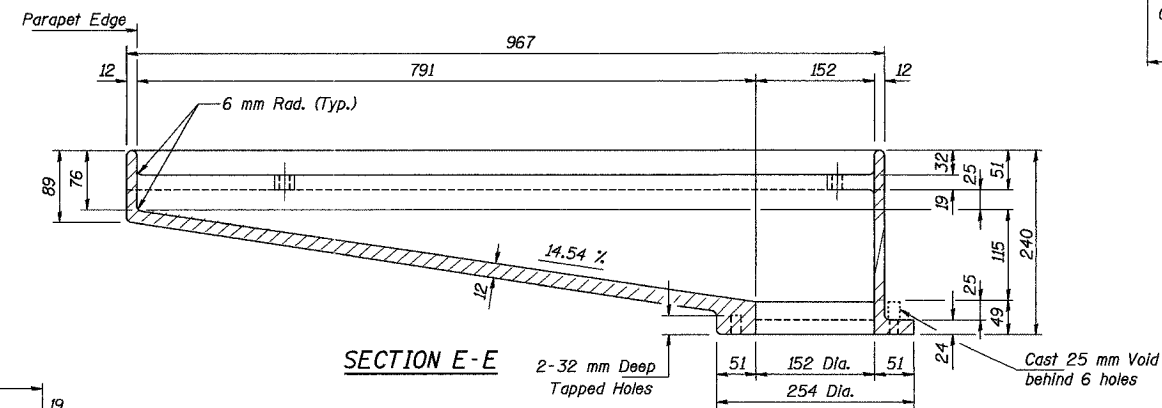
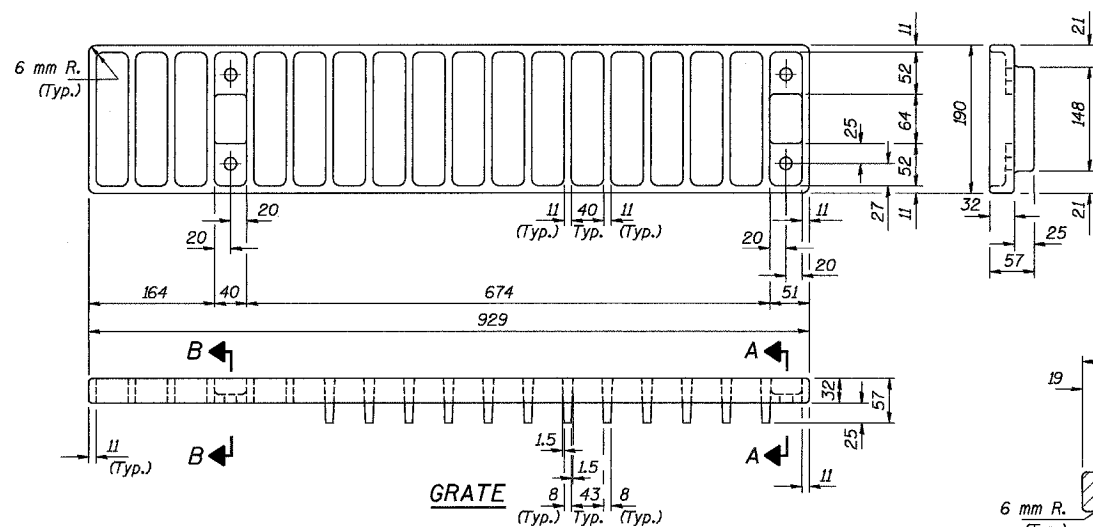
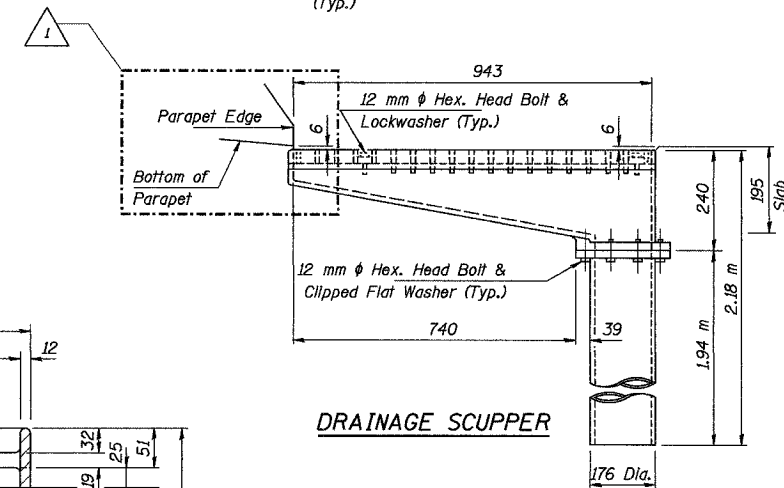
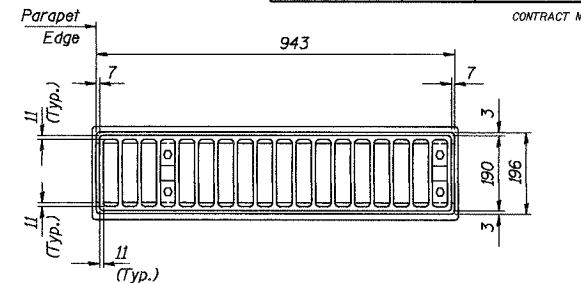
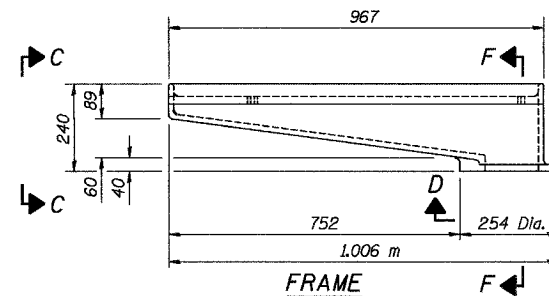
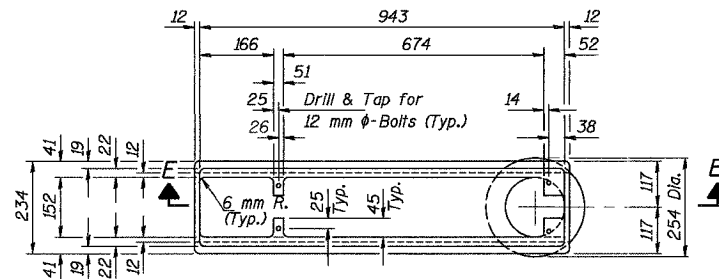
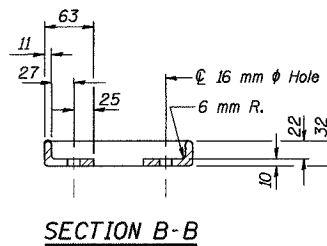
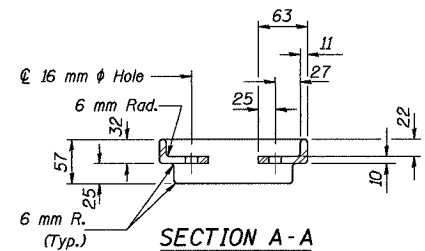


| ROUTE NO. | SECT. | COUNTY | SHEET NO. | TOTAL SHEETS |
|---------------------|---------------|------------------|-----------|--------------|
| F.A.I. 74 | (72-7) R-3 | PEORIA | 33 | 130 |
| FED. ROAD DIST. NO. | ILLINOIS | FED. AID PROJECT | | |
| 7 | | | | |

CONTRACT NO. 68200



BILL OF MATERIAL

| ITEM | UNIT | QUANTITY |
|--------------------------|------|----------|
| Drainage Scupper, Type I | Each | 4 |

| REVISION | DATE | DESCRIPTION |
|----------|---------|----------------------------------|
| 1 | 3/28/05 | Drainage Scupper Detail appended |

**STATE OF ILLINOIS
DEPARTMENT OF TRANSPORTATION**

DRAINAGE SCUPPER, TYPE I

RAMPS B-3 AND B-5 OVER WAR MEMORIAL DR. AND RAMP B-6
F.A.I. ROUTE 74 SECTION (72-7) R-3
PEORIA COUNTY STA. 10+618.61 (RAMP B-3)
STA. 10+472.60 (RAMP B-5)
STRUCTURE NUMBER 072-0190

**PARSONS TRANSPORTATION GROUP
CHICAGO, ILLINOIS**

| DRAWING NO. | SCALE | DATE | SHEET NO. |
|-------------|--------|---------|-----------|
| 33 | N.T.S. | 2-21-03 | 33 |

Revised MAY 27 2005

Date: 04/20/2005 Time: 03:17:58 PM

Filename: P:\643996\Structure\072-0190\sheet\Tracings\DR0003-1A072090.dgn