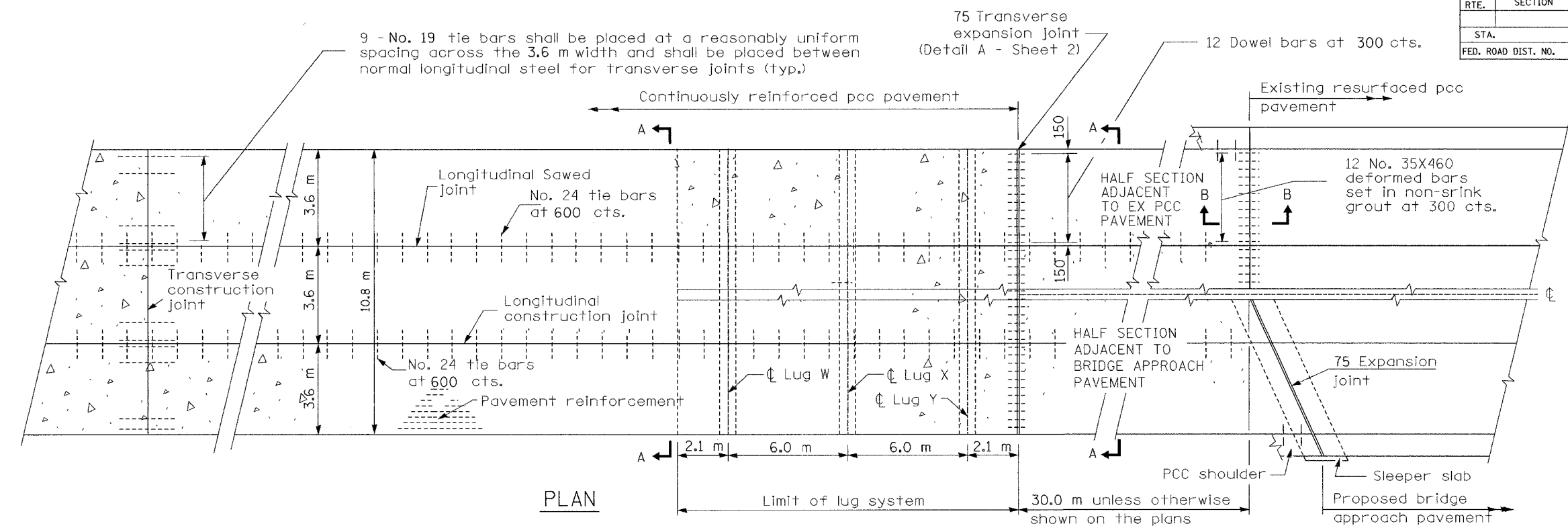
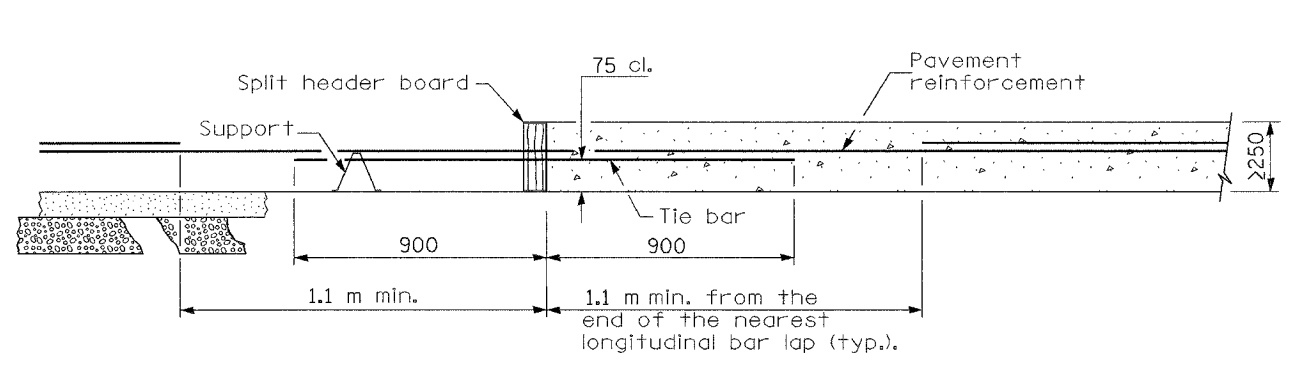


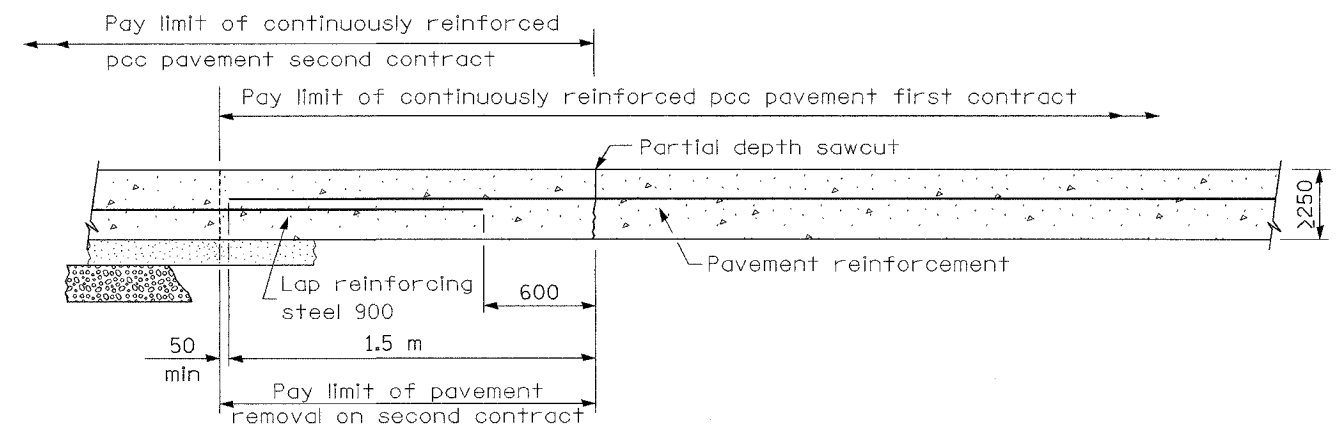
F.A. RTE.	SECTION	COUNTY	TOTAL SHEETS	SHEET NO.
			1360	857A
STA.		TO STA.		
FED. ROAD DIST. NO.		ILLINOIS FED. AID PROJECT		



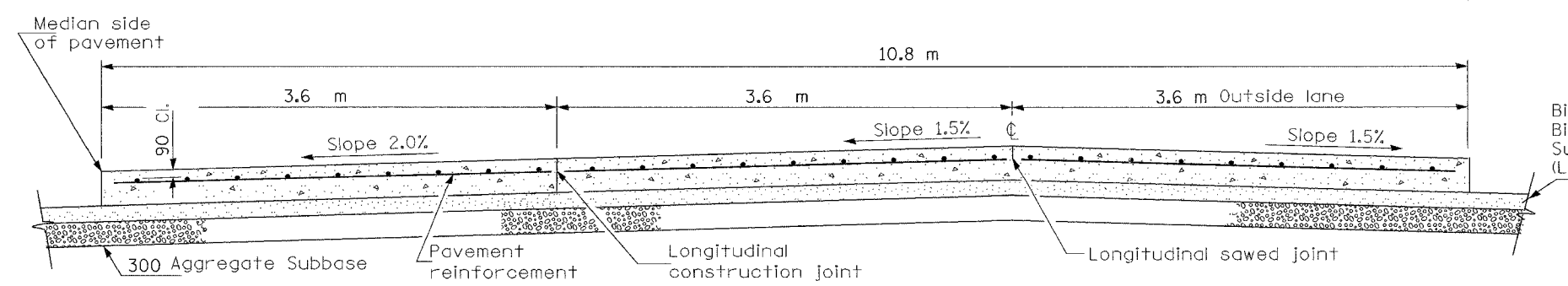
PLAN



TRANSVERSE CONSTRUCTION JOINT
(Pavement Constructed in the Same Contract)



TRANSVERSE TERMINAL JOINT
(Continuation of a Pavement Constructed in a Previous Contract)



SECTION A-A
(TYPICAL 3-LANE, 1-WAY WITH SHOULDERS)

REVISED SHEET
MAY 27 2005

GENERAL NOTES

See Project Standard 421001-I74 for details of I-74 pavement reinforcement.
Detail of joints as shown on Standard 420001 except as otherwise shown herein.
All dimensions are in millimeters unless otherwise shown.

REVISIONS	
NAME	DATE
INC. COMMENTS	3/7/02
REM. ENGL.	3/22/02
H.S. 2004	9/30/03
NOTE - 30M	10/6/03
SEC B-B & TERM JT	11/4/04

ILLINOIS DEPARTMENT OF TRANSPORTATION
I-74 PROJECT STANDARD 421206-I74
10.8 m
CRC PAVEMENT
(WITH LUG SYSTEM) (Sheet 1 of 2)
DRAWN BY
DATE 09/21/01
CHECKED BY