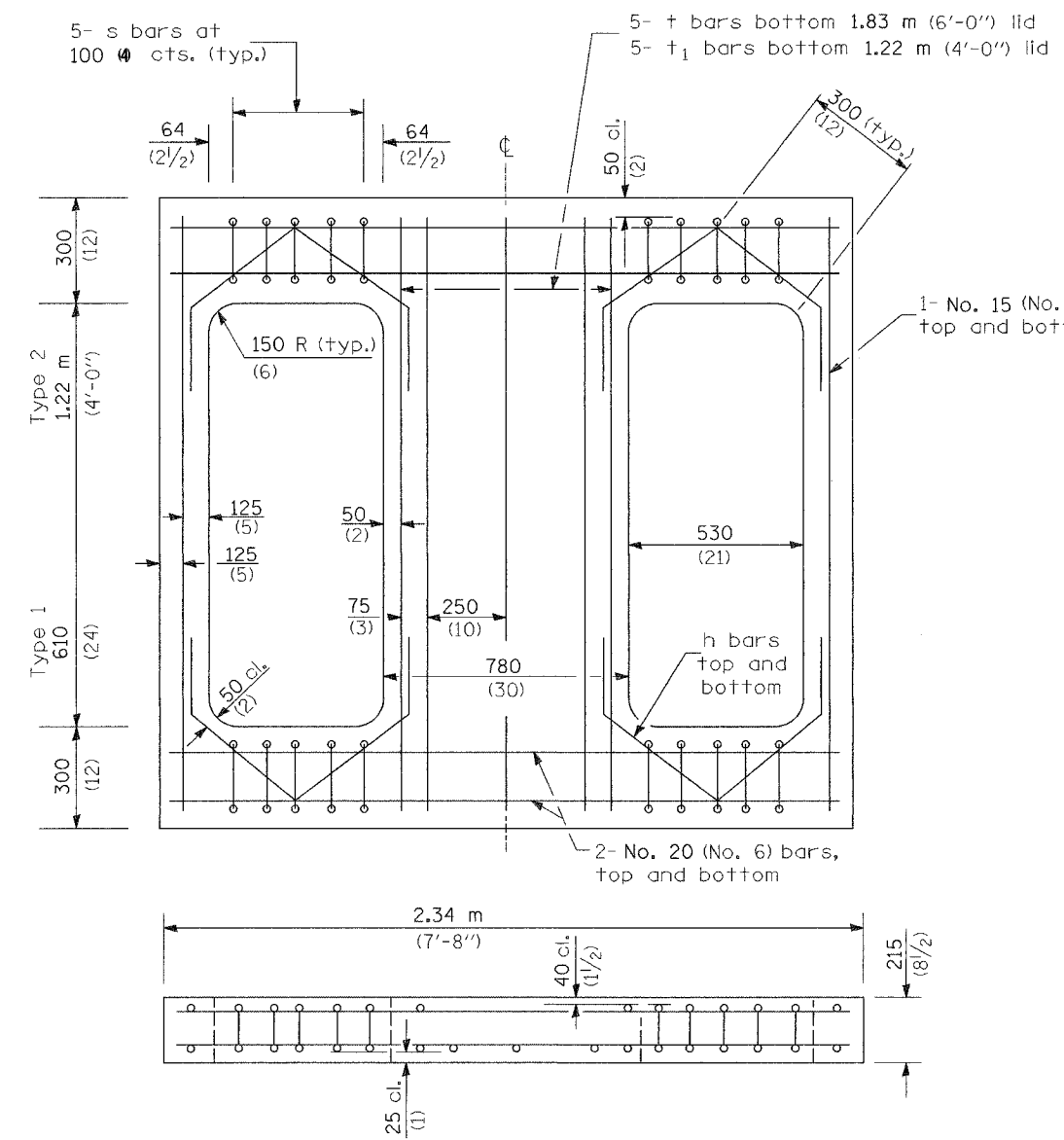
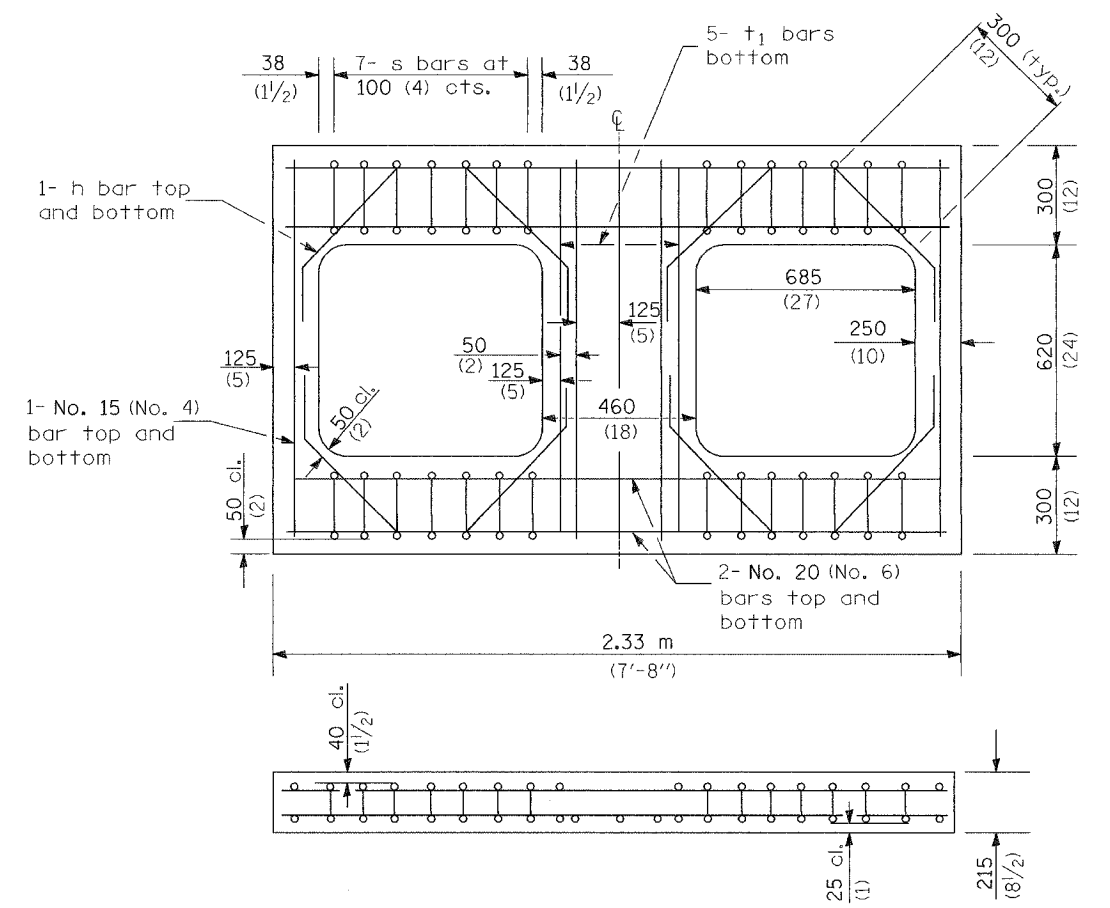
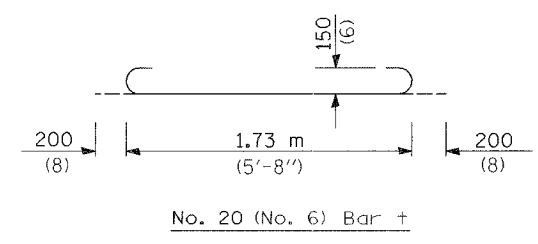
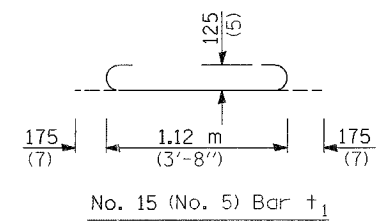
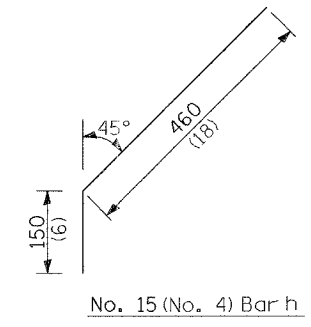


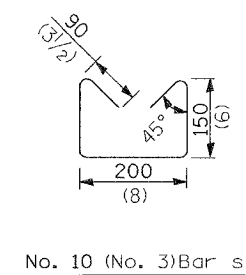
F.A. RTE.	SECTION	COUNTY	TOTAL SHEETS	SHEET NO.
			1360	8593
STA.		TO STA.		
FED. ROAD DIST. NO.		ILLINOIS FED. AID PROJECT		



REINFORCED LID - TYPE 1 & 2



REINFORCED LID - TYPE 3



All dimensions are in millimeters (Inches) unless otherwise shown.

REVISIONS		ILLINOIS DEPARTMENT OF TRANSPORTATION I-74 PROJECT STANDARD 602102-I74 DRAINAGE STRUCTURES TYPES 1, 2 & 3 (Sheet 2 of 2) DATE 3/31/04
NAME	DATE	
REVISED SHEET	MAY 27 2005	DRAWN BY CHECKED BY