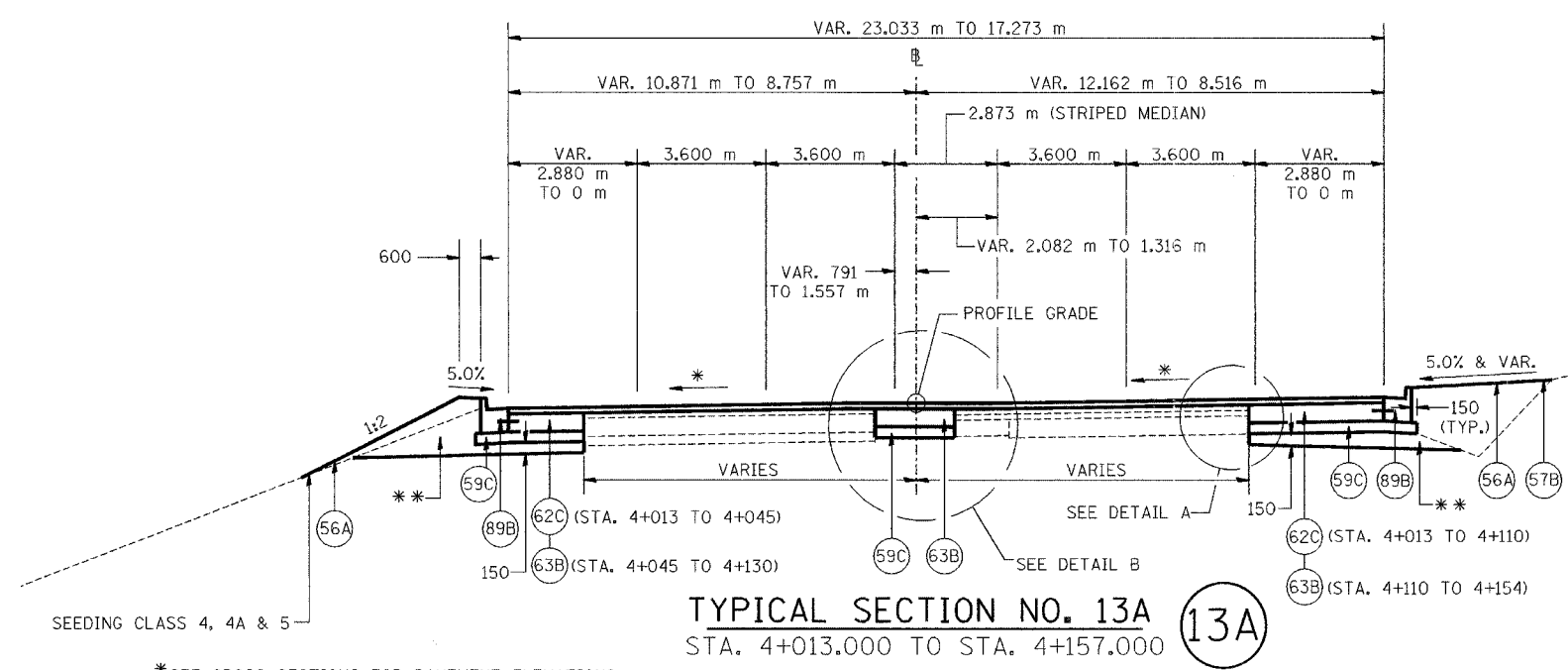


I:\projects\2005\111101-5am.dgn 4/26/2005 1:30:36 PM

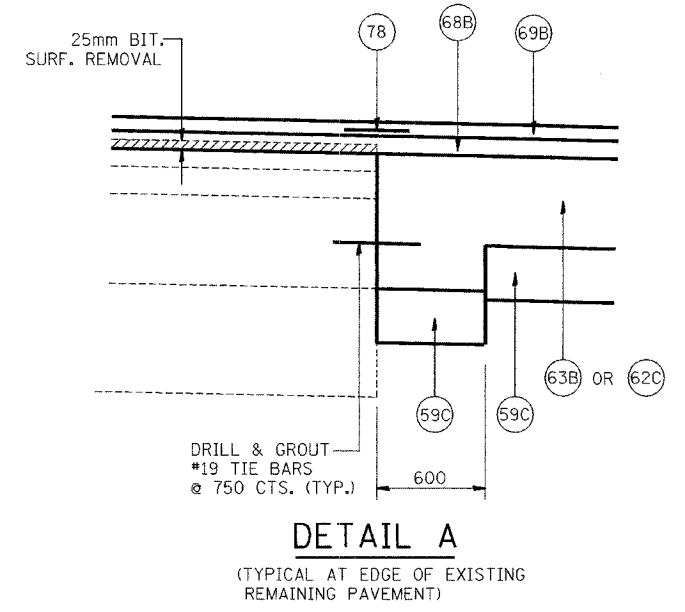
F.A.I. RTE.	SECTION	COUNTY	TOTAL SHEETS	SHEET NO.
74	*	TAZEWELL	136	85
STA.		TO STA.		
FED. ROAD DIST. NO.		ILLINOIS FED. AID PROJECT		

\*(90-11)R-2;90(13,14,14-1)R-1

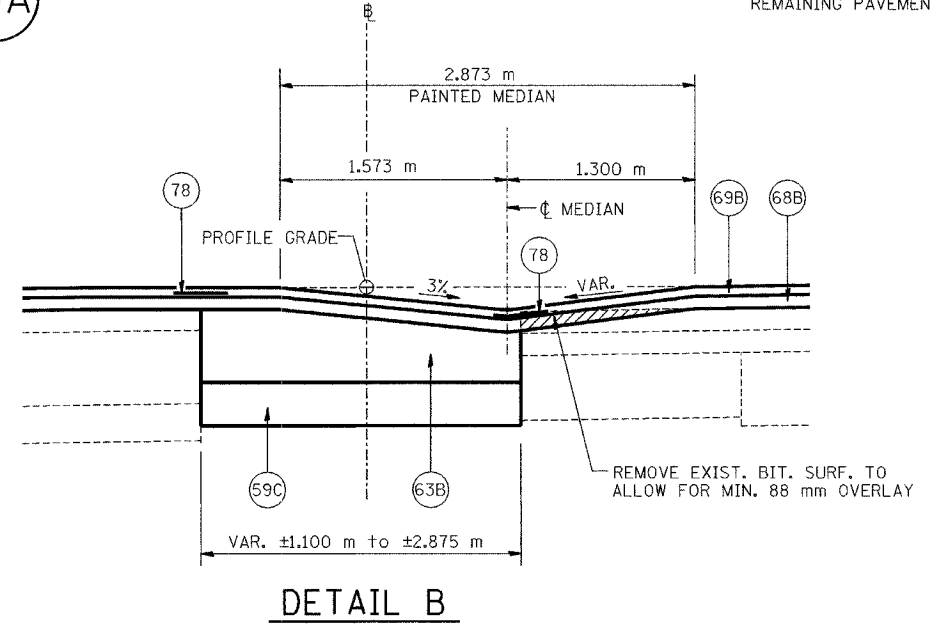


**TYPICAL SECTION NO. 13A**  
STA. 4+013.000 TO STA. 4+157.000 **13A**

\*SEE CROSS SECTIONS FOR PAVEMENT ELEVATIONS  
\*\* REMOVE UNSUITABLE SOIL & REPLACE W/ SUB-BASE GRAN. MAT. TY. B LT. & RT. STA. 4+013 TO 4+045



**DETAIL A**  
(TYPICAL AT EDGE OF EXISTING REMAINING PAVEMENT)



**DETAIL B**

LEGEND		
(56A) PR FURNISH AND PLACE TOP SOIL 100 mm	(68B) PR BITUMINOUS CONCRETE BINDER COURSE, SUPERPAVE, IL-19.0, N70, 50 mm (MIN.)	(78) PR STRIP REFLECTIVE CRACK CONTROL TREATMENT
(57B) PR SODDING, SALT TOLERANT	(69B) PR BITUMINOUS CONCRETE SURFACE COURSE, SUPERPAVE, MIX "D", N70, 38 mm	(89A) PR COMBINATION CONCRETE CURB AND GUTTER, TYPE B-15.30
(59B) PR SUB-BASE GRANULAR MATERIAL, TYPE A 300 mm	(71D) PR PORTLAND CEMENT CONCRETE PAVEMENT 250 mm (JOINTED)	(89B) PR COMBINATION CONCRETE CURB AND GUTTER, TYPE B-15.60
(59C) PR SUB-BASE GRANULAR MATERIAL, TYPE B 150 mm		(90A) PR CONCRETE MEDIAN, TYPE SB-15.30
(62C) PR PORTLAND CEMENT CONCRETE BASE COURSE 250 mm		(96A) PR LONGITUDINAL CONSTRUCTION JOINT
(63B) PR PORTLAND CEMENT CONCRETE BASE COURSE WIDENING 250 mm		
(64E) PR BITUMINOUS BASE COURSE 250 mm		

NOTES: ALL DIMENSIONS ARE IN MILLIMETERS (mm) UNLESS OTHERWISE STATED.

**1** ELIMINATED PR PAVEMENT FABRIC

REVISIONS	
NAME	DATE
<b>1</b>	MAY 27 2005



ILLINOIS DEPARTMENT OF TRANSPORTATION  
FAI ROUTE 74 (I-74)  
**PROPOSED TYPICAL SECTIONS**  
ILL. 116 - U.S. 150 - MAIN ST.  
NUMBER 13A  
DRAWN BY: M.L.S.  
CHECKED BY: J.M.

DATE 4-21-05