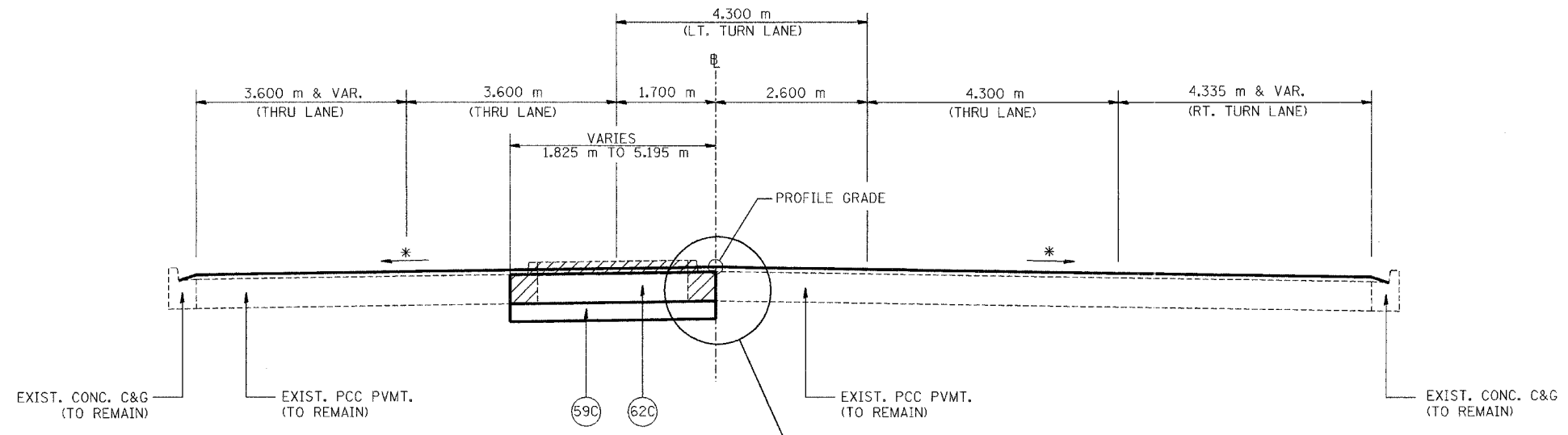


No. 15.02-1 5002/02/77 URP-0005-101181 (Amplified) 2/8/04

F.A.I. RTE.	SECTION	COUNTY	TOTAL SHEETS	SHEET NO.
74	*	TAZEWELL	1366	08
STA.		TO STA.		
FED. ROAD DIST. NO.		ILLINOIS FED. AID PROJECT		

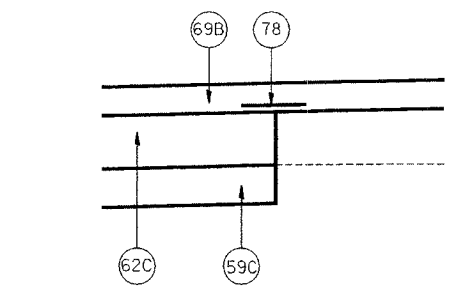
*(90-11)R-2:90(13,14,14-1)R-1



TYPICAL SECTION

(BLACKJACK BLVD. - W. LEG)
(STA. 99+876.450 TO STA. 99+939.000)

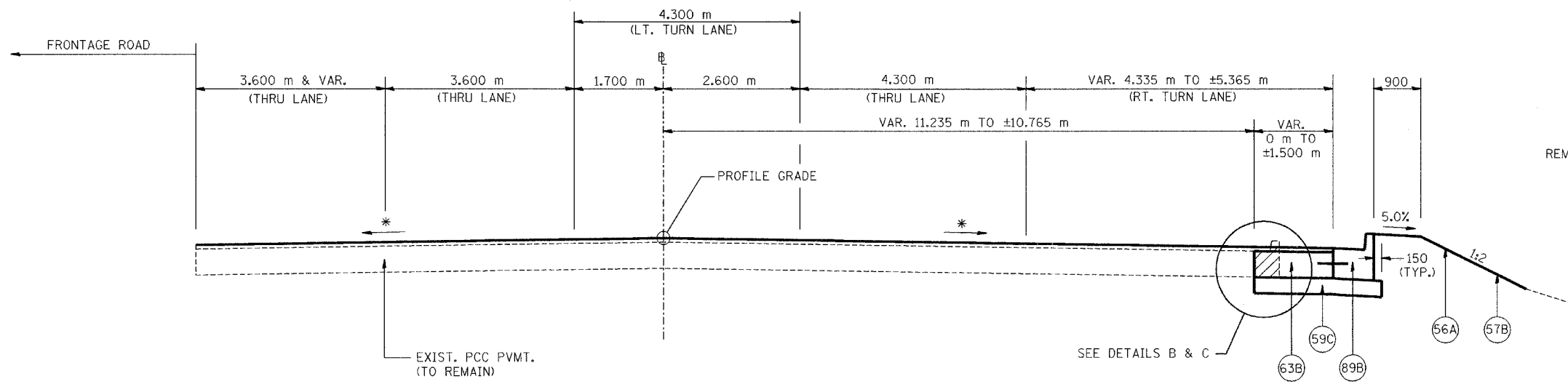
INDICATES REMOVAL OF EXIST. CONC. C&G & CONC. MEDIAN SURFACE.



DETAIL A

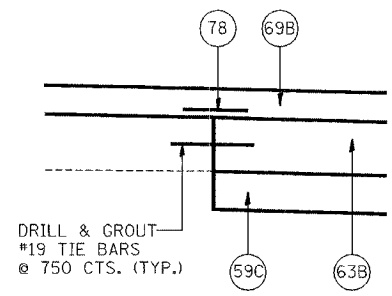
(TYPICAL AT EDGE OF EXISTING REMAINING PAVEMENT STA. 99+876.450 TO 99+939.000)

* MATCH EXIST. PVMT. SLOPE (±1.5%)



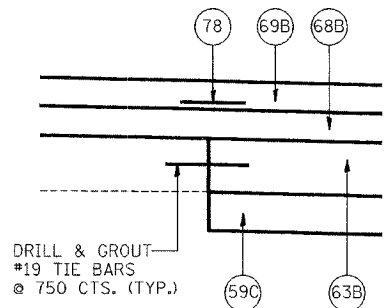
TYPICAL SECTION

(BLACKJACK BLVD. - W. LEG)
(STA. 99+939.000 TO STA. 99+967.649)



DETAIL B

(TYPICAL AT EDGE OF EXISTING REMAINING PAVEMENT STA. 99+939.000 TO 99+942.583)



DETAIL C

(TYPICAL AT EDGE OF EXISTING REMAINING PAVEMENT STA. 99+942.583 TO 99+967.649)

LEGEND			
56A	PR FURNISH AND PLACE TOP SOIL 100 mm	78	PR STRIP REFLECTIVE CRACK CONTROL TREATMENT
57B	PR SODDING, SALT TOLERANT	89A	PR COMBINATION CONCRETE CURB AND GUTTER, TYPE B-15.30
59B	PR SUB-BASE GRANULAR MATERIAL, TYPE A 300 mm	89B	PR COMBINATION CONCRETE CURB AND GUTTER, TYPE B-15.60
59C	PR SUB-BASE GRANULAR MATERIAL, TYPE B 150 mm	90A	PR CONCRETE MEDIAN, TYPE SB-15.30
62C	PR PORTLAND CEMENT CONCRETE BASE COURSE 250 mm	96A	PR LONGITUDINAL CONSTRUCTION JOINT
63B	PR PORTLAND CEMENT CONCRETE BASE COURSE WIDENING 250 mm		
64E	PR BITUMINOUS BASE COURSE 250 mm		
68B	PR BITUMINOUS CONCRETE BINDER COURSE, SUPERPAVE, IL-19.0, N70, 50 mm (MIN.)		
69B	PR BITUMINOUS CONCRETE SURFACE COURSE, SUPERPAVE, MIX "D", N70, 38 mm		
71D	PR PORTLAND CEMENT CONCRETE PAVEMENT 250 mm (JOINTED)		

ELIMINATED PR PAVEMENT FABRIC

NOTES:
ALL DIMENSIONS ARE IN MILLIMETERS (mm) UNLESS OTHERWISE STATED.
SEE PROPOSED ROADWAY PLAN FOR LONGITUDINAL SECTION THROUGH PAVEMENT.

REVISIONS	
NAME	DATE
Δ	MAY 27 2005



ILLINOIS DEPARTMENT OF TRANSPORTATION
FAI ROUTE 74 (I-74)
PROPOSED TYPICAL SECTIONS
SIDE RD.
BLACKJACK BLVD. - W. LEG
DRAWN BY MLS
CHECKED BY JJM
DATE 4-21-05