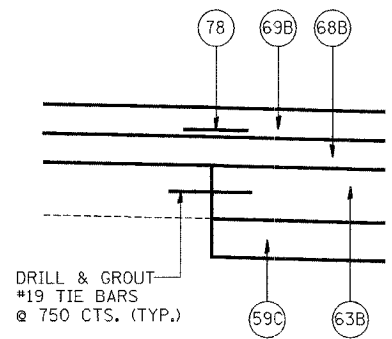
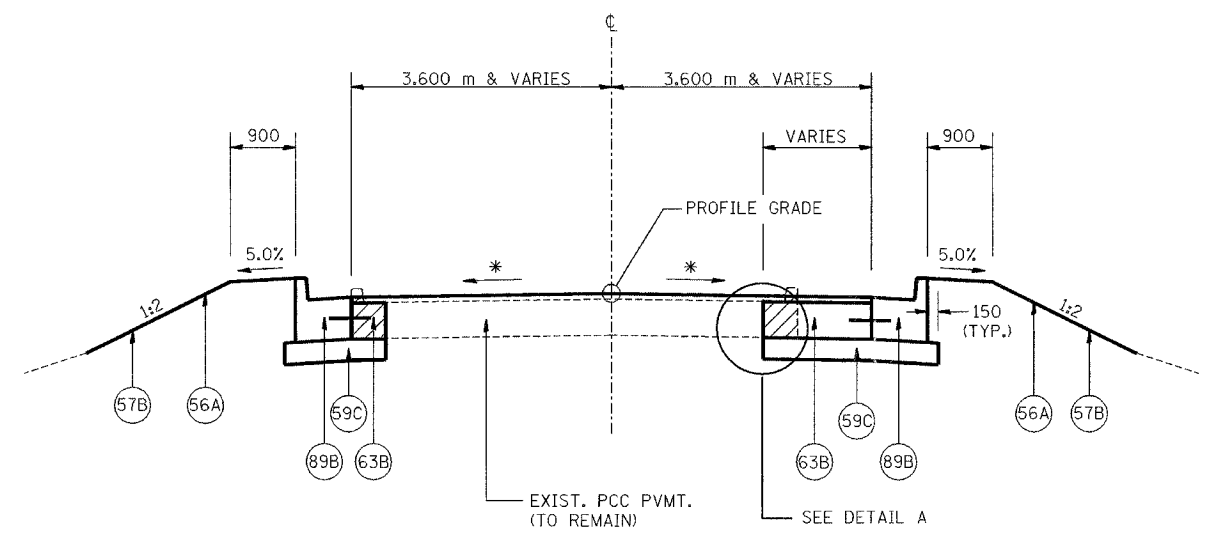


D:\projects\2005\11-34-01\11-34-01.dwg 4/27/2005 11:34:01 PM

F.A.I. RTE.	SECTION	COUNTY	TOTAL SHEETS	SHEET NO.
74	*	TAZEWELL	136	90
STA.		TO STA.		
FED. ROAD DIST. NO.		ILLINOIS FED. AID PROJECT		

*(90-11)R-2;90(13,14,14-1)R-1



DETAIL A
(TYPICAL AT EDGE OF EXISTING REMAINING PAVEMENT)

INDICATES REMOVAL OF EXIST. CONC. C&G.

TYPICAL SECTION
(FRONTAGE RD. @ BLACKJACK BLVD. - W. LEG)
(STA. 10+008.900 TO 10+030.825)

* MATCH EXIST. PVMT. SLOPE (±1.5%)

LEGEND		
(56A) PR FURNISH AND PLACE TOP SOIL 100 mm	(68B) PR BITUMINOUS CONCRETE BINDER COURSE, SUPERPAVE, IL-19.0, N70, 50 mm (MIN.)	(78) PR STRIP REFLECTIVE CRACK CONTROL TREATMENT
(57B) PR SODDING, SALT TOLERANT	(69B) PR BITUMINOUS CONCRETE SURFACE COURSE, SUPERPAVE, MIX "D", N70, 38 mm	(89A) PR COMBINATION CONCRETE CURB AND GUTTER, TYPE B-15.30
(59B) PR SUB-BASE GRANULAR MATERIAL, TYPE A 300 mm	(71D) PR PORTLAND CEMENT CONCRETE PAVEMENT 250 mm (JOINTED)	(89B) PR COMBINATION CONCRETE CURB AND GUTTER, TYPE B-15.60
(59C) PR SUB-BASE GRANULAR MATERIAL, TYPE B 150 mm		(90A) PR CONCRETE MEDIAN, TYPE SB-15.30
(62C) PR PORTLAND CEMENT CONCRETE BASE COURSE 250 mm		(96A) PR LONGITUDINAL CONSTRUCTION JOINT
(63B) PR PORTLAND CEMENT CONCRETE BASE COURSE WIDENING 250 mm		
(64E) PR BITUMINOUS BASE COURSE 250 mm		

NOTES: ALL DIMENSIONS ARE IN MILLIMETERS (mm) UNLESS OTHERWISE STATED.

ELIMINATED PR PAVEMENT FABRIC

SHEET 5 OF 5



REVISIONS	
NAME	DATE
	MAY 27 2005

ILLINOIS DEPARTMENT OF TRANSPORTATION
FAI ROUTE 74 (I-74)
PROPOSED TYPICAL SECTIONS
SIDE RD.
FRONTAGE RD. @ BLACKJACK BLVD.
DRAWN BY: MLS
CHECKED BY: JJM
DATE: 4-21-05