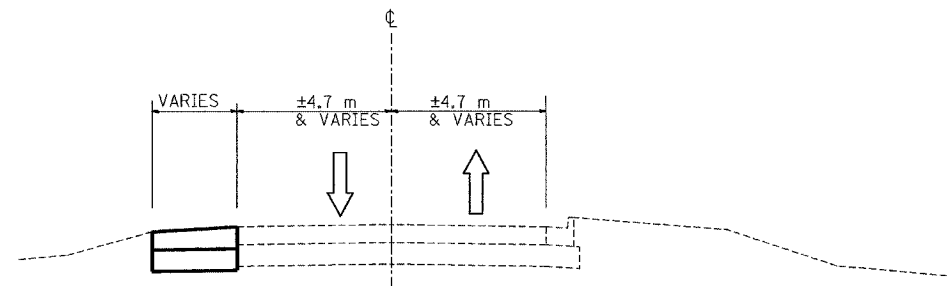


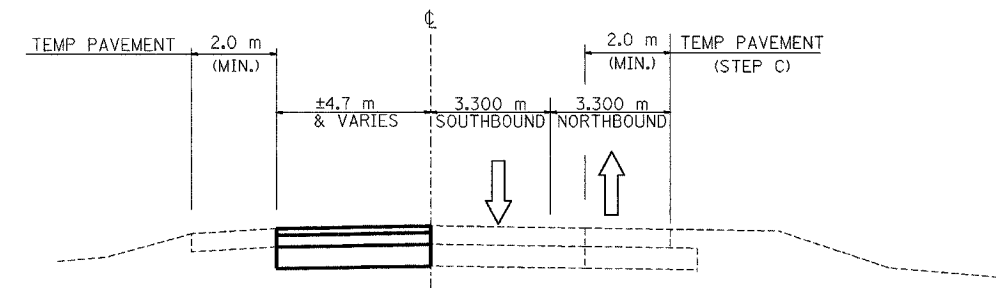
I:\projects\101111\101111.dwg 5/1/2005 10:11:11 AM

F.A.I. RTE.	SECTION	COUNTY	TOTAL SHEETS	SHEET NO.
74	*	TAZEWELL	1366	176a
STA.		TO STA.		
FED. ROAD DIST. NO.	ILLINOIS	FED. AID PROJECT		

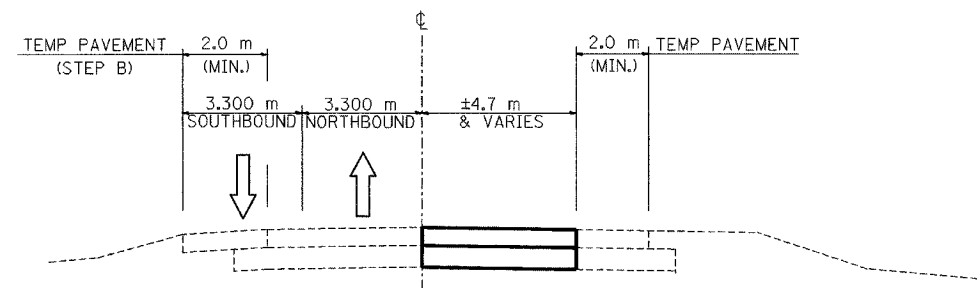
*(90-11)R-2;90(13,14,14-1)R-1



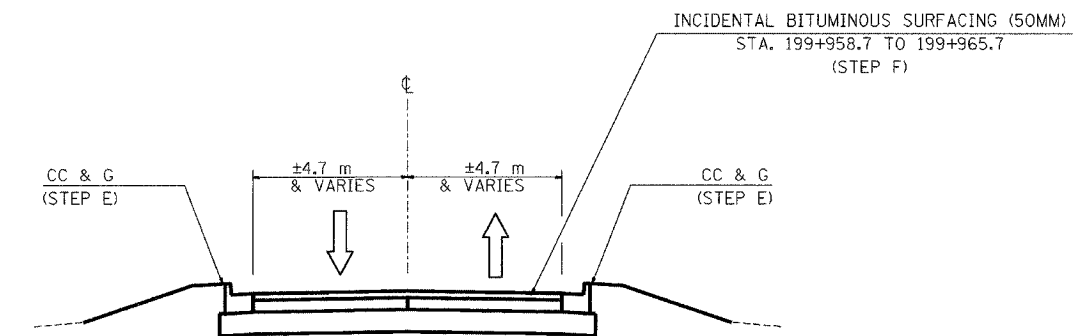
NATIONAL STREET MOT TYPICAL SECTION STEP A
 NATIONAL STREET @ NORTH MAIN ST.



NATIONAL STREET MOT TYPICAL SECTION STEP D
 NATIONAL STREET @ NORTH MAIN ST.



NATIONAL STREET MOT TYPICAL SECTION STEP C
 NATIONAL STREET @ NORTH MAIN ST.



NATIONAL STREET MOT TYPICAL SECTION STEPS E & F
 NATIONAL STREET @ NORTH MAIN ST.

NOTE: SEE MAINTENANCE OF TRAFFIC, STAGE 3A-3, NORTH MAIN STREET/NATIONAL STREET FOR THE CONSTRUCTION STAGING STEPS

NEW SHEET

REVISIONS		ILLINOIS DEPARTMENT OF TRANSPORTATION FAI ROUTE 74 (I-74) MAINTENANCE OF TRAFFIC STAGE 3A-3 NATIONAL STREET TYPICAL SECTION
NAME	DATE	
△	MAY 27 2005	DATE 5/01/2005 DRAWN BY ACW CHECKED BY SRS

URS
 URS CORPORATION
 CHICAGO, ILLINOIS