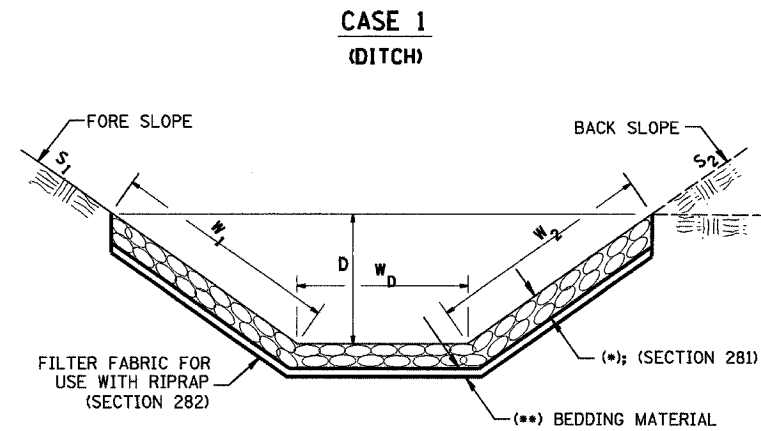
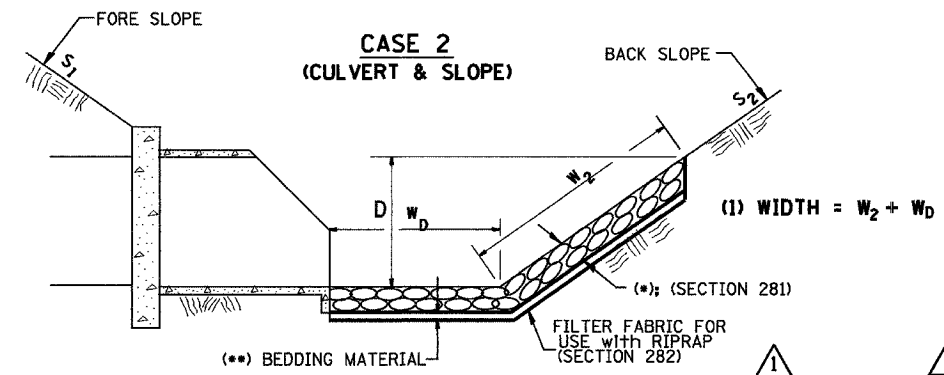


REVISED: 12/20/04

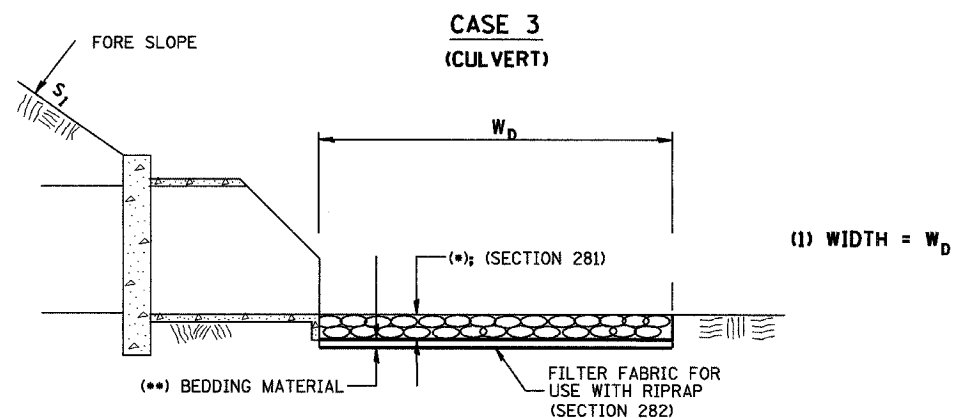
F.A.I. RTE.	SECTION	COUNTY	TOTAL SHEETS	SHEET NO.
74	90-11R-2; 9013,14,14-11R-1	TAZEWELL	1366	387
STA. 152+445.837 TO STA. 153+892.180				
FED. ROAD DIST. NO. 4			ILLINOIS FED. AID PROJECT	



CASE 1					
LOCATION	STATION OFFSET	LENGTH (METER)	W _D (METER)	FILTER FABRIC AREA (SQ M)	STONE DUMPED RIPRAP, CLASS A4 (SQ M)
N. MAIN ST.	2+580, 22 RT	19.9	4.2	84	84
N. MAIN ST.	2+589.9, 24.4 RT.	7.9	4.2	33	33
TOTALS				117	117



CASE 2										
LOCATION	PIPE NUMBER	STRUCTURE NUMBER	STATION OFFSET	D (mm)	W ₂ (METER)	W _D (METER)	WIDTH (1)	FILTER FABRIC AREA (SQ M)	STONE DUMPED RIPRAP, CLASS A4 (SQ M)	
I-74	337	129	153+081, 32.15 LT	300	0.3	1.2	1.5	1	1	
RAMP J-3	338	131	10+315, 9.00 LT	300	0.3	1.2	1.5	1	1	
I-74	321	106	153+449, 22.76 LT	300	0.3	1.2	1.5	1	1	
RAMP J-4	328	113	10+256, 25.0 RT	300	0.3	1.2	1.5	1	1	
RAMP J-4	330	116	10+187, 22.0 RT	300	0.3	1.2	1.5	1	1	
RAMP J-4	332	119	10+119, 16.5 RT	300	0.3	1.2	1.5	1	1	
RAMP J-4	305	83	10+060, 13.8 RT	600	0.6	1.2	1.8	1	1	
RAMP K-2	340	134	10+176, 10.50 LT	600	0.6	1.2	1.8	1	1	
RAMP K-2	341	136	10+100, 12.90 LT	300	0.3	1.2	1.5	1	1	
I-74	342	138	153+754, 33.43 LT	300	0.3	1.2	1.5	1	1	
TOTALS								10	10	



RIP RAP NEEDED BENEATH RAMP K-2

LOCATION	STATION	LENGTH (METER)	WIDTH (METER)	FILTER FABRIC AREA (SQ M)	STONE DUMPED RIPRAP, CLASS A4 (SQ M)
UNDER RAMP K-2	10+435 TO 10+490	53.8	7.6	414	414
TOTALS				414	414

CASE 3								
LOCATION	PIPE NUMBER	STRUCTURE NUMBER	STATION OFFSET	D (mm)	W _D (METER)	FILTER FABRIC AREA (SQ M)	STONE DUMPED RIPRAP, CLASS A4 (SQ M)	
RAMP J-3	310	91	10+273, 36.72 LT	600	1.2	1	1	
RAMP J-3	311	92	10+199, 28.01 LT	600	1.2	1	1	
I-74	324	108	152+515, 47.9 LT	300	1.2	1	1	
I-74	323	110	152+590, 48.7 LT	300	1.2	1	1	
RAMP J-3	309	90	10+290, 44.62 LT	600	1.2	1	1	
I-74	339	133	153+455, 19.12 LT	300	1.2	1	1	
I-74	EXISTING	EXISTING	153+543, 0.76 RT	914	1.2	1	1	
TOTALS						7	7	

REVISED COLUMNS



REVISIONS	
NAME	DATE
Δ	MAY 27 2005

ILLINOIS DEPARTMENT OF TRANSPORTATION
F.A.I. ROUTE 74 (I-74)
EROSION CONTROL PLAN
DETAILS / SCHEDULE OF QUANTITIES
DRAWN BY RTG
CHECKED BY RTG
DATE 12-20-2004