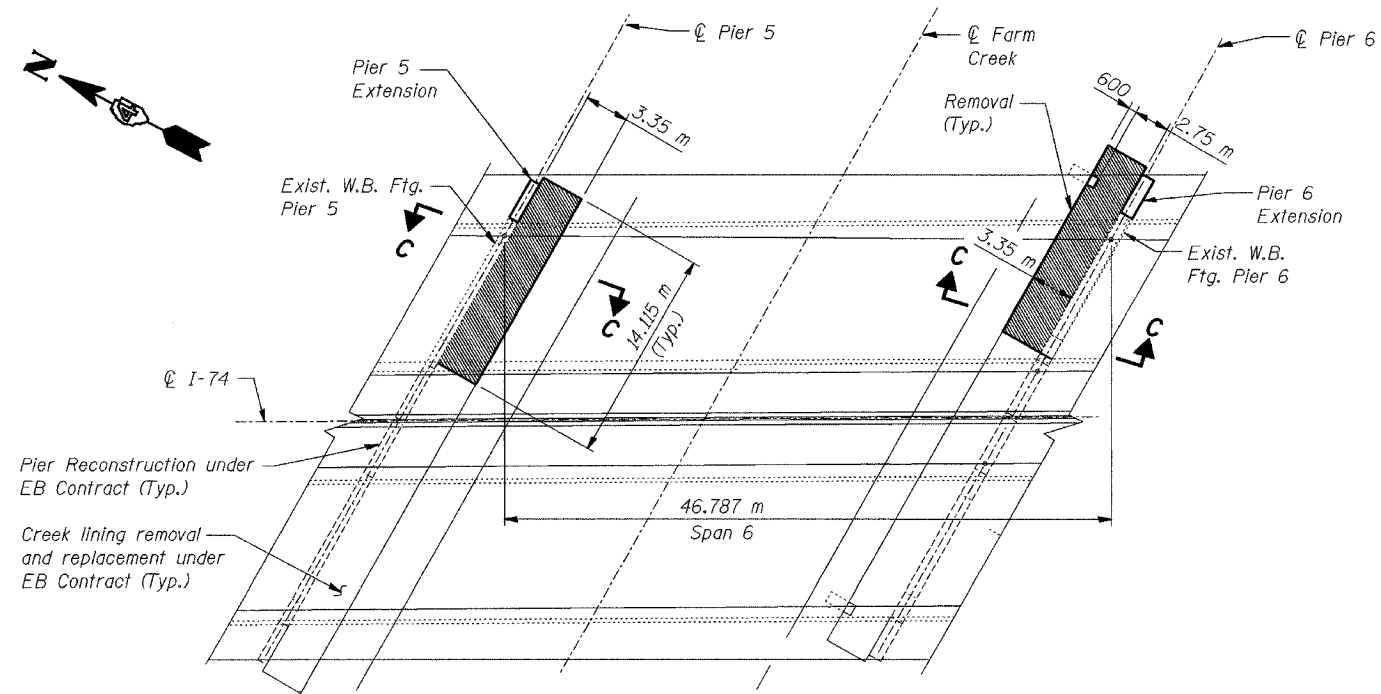


STATE OF ILLINOIS  
DEPARTMENT OF TRANSPORTATION

ROUTE NO.	SECTION	COUNTY	TOTAL SHEETS	SHEET NO.
F.A.I. 74	90-13HVB1BY	TAZEWELL	1366	504
FED. ROAD DIST. NO. 7	ILLINOIS	FED. AID PROJECT-		

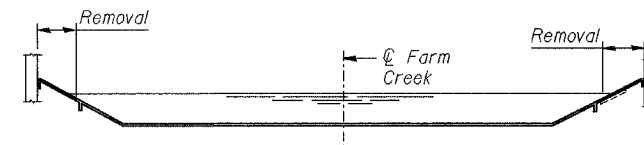
SHEET NO. 56  
68 SHEETS



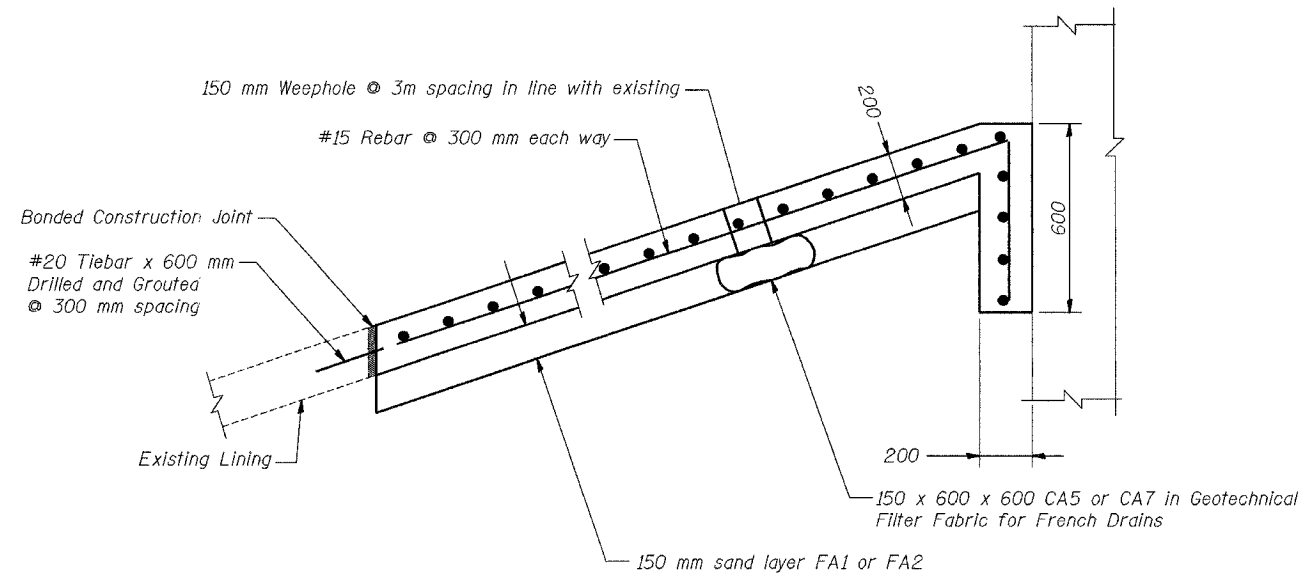
**PLAN**  
**FOR FARM CREEK LINING REMOVAL & REPLACEMENT**

LEGEND

█ Creek lining removal



**ELEVATION**



**SECTION C-C**



NOTES:

1. Work this Sheet with Sheets 55 and 57.
2. All dimensions are in millimeters (mm) except as noted.
3. The new lining at Farm Creek shall be reinforced, bonded, jointed and drained as detailed. The cost of this work shall be included in the price of pay item "Slopewall, Special".
4. Any damage beyond the limits shown due to sheet pile removal shall be the responsibility of the Contractor.

- △ -REVISED SECTION C-C
- △ -REVISED NOTE #3
- △ -ADDED NOTE #4

**PIER DETAILS**

Date	Designed	EV	WESTBOUND F.A.I. ROUTE 74 OVER CAMP STREET, FARM CREEK, AND TP&W RR F.A.I. RTE. 74 SECTION (90-13HVB)BY TAZEWELL COUNTY STATION 153+625.193 STRUCTURE NO. 090-0009	Sheet No. <b>56</b> of 68
Revisions	Drawn	EV		
MAY 27 2009	Checked	NPP		
	Approved	NPP		
Prepared By: BRW, Inc. A Division of URS			1701 Golf Rd., Suite 1000 Rolling Meadows, IL.	BRW Job No. 17049-071