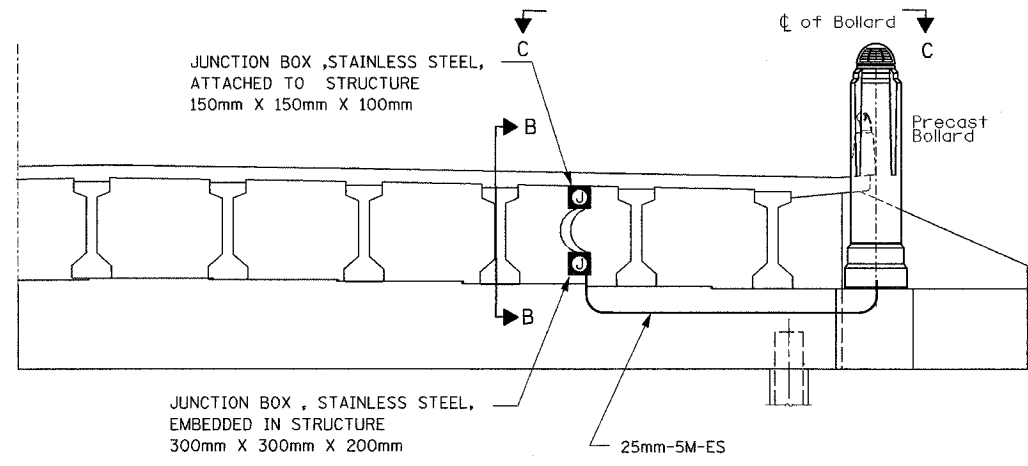
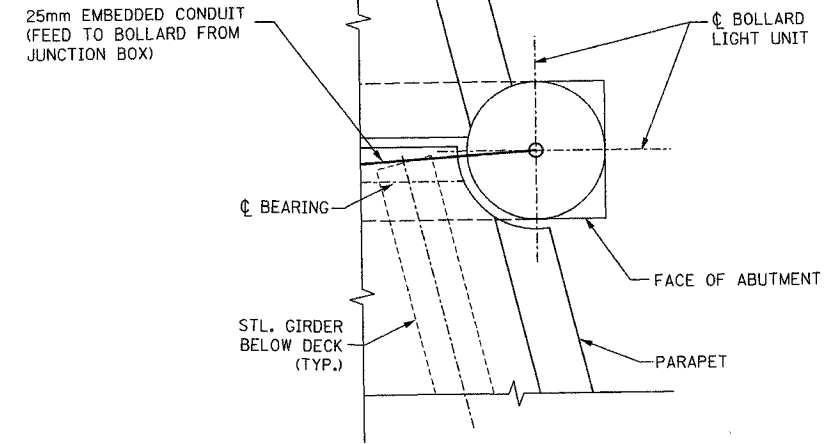


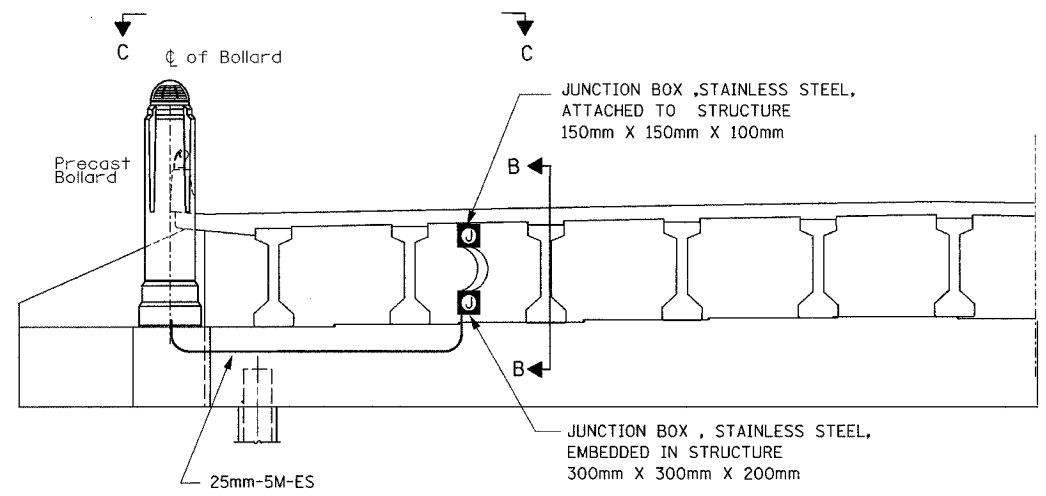
F.A.I. RTE.	SECTION	COUNTY	TOTAL SHEETS	SHEET NO.
74	*	TAZEWELL	1366	1225
STA.	TO STA.			
FED. ROAD DIST. NO.	ILLINOIS FED. AID PROJECT			
* (90-IDR-2)9013, 14, 14-IDR-1				
CONTRACT NO. 68201				



WESTBOUND ELEVATION AT NORTH ABUTMENT
(LOOKING NORTH)



SECTION C-C
PARTIAL PLAN-BOLLARD LOCATION AT S. ABUTMENT
(SIMILAR FOR NORTH ABUTMENT)



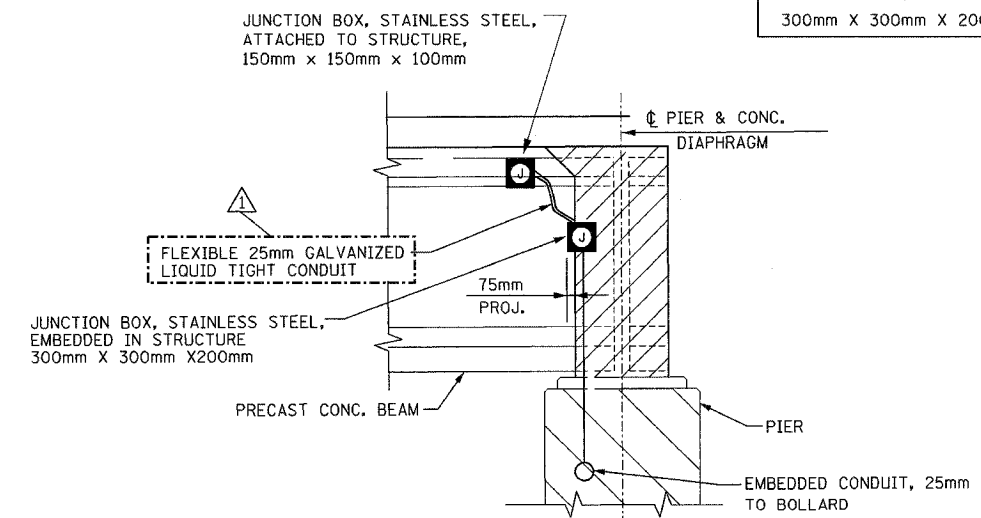
WESTBOUND ELEVATION AT SOUTH ABUTMENT
(LOOKING SOUTH)

STREET LIGHTING - BILL OF MATERIAL - THIS SHEET

PAY ITEM	UNIT	QTY.
CONDUIT EMBEDDED IN STRUCTURE, 25mm DIA., PVC	METER	10.0
JUNCTION BOX, STAINLESS STEEL, ATTACHED TO STRUCTURE 150mm X 150mm X 100mm	EACH	2
JUNCTION BOX, STAINLESS STEEL, EMBEDDED IN STRUCTURE 300mm X 300mm X 200mm	EACH	2

NOTES:

- FOR WIRING PLAN SEE LIGHTING SHEET 20.
- ALL EMBEDDED CONDUIT SHALL BE 50mm, PVC - SCH. 40, UNLESS OTHERWISE INDICATED.
- ALL JUNCTION BOXES ATTACHED TO STRUCTURE SHALL BE STAINLESS STEEL, 150mmx150mmx100mm, UNLESS OTHERWISE INDICATED.
- THE COST OF THE CONCRETE INSERTS SHALL BE INCLUDED IN THE PAY ITEM FOR "CONDUIT ATTACHED TO STRUCTURE."
- THE COST OF THE LIQUID-TIGHT CONDUIT SHALL BE INCLUDED IN THE PAY ITEM FOR "CONDUIT ATTACHED TO STRUCTURE."
- FOR SECTIONS B-B AND C-C, SEE THIS SHEET.



SECTION B-B
(TYP. FOR P.P.C. BM. CONSTN.)

- LEGEND**
- PROPOSED JUNCTION BOX
 - PROPOSED EMBEDDED CONDUIT, 25mm DIA. PVC SCHEDULE 40
 - PROPOSED LIQUID-TIGHT FLEXIBLE CONDUIT, 25mm

REVISIONS		ILLINOIS DEPARTMENT OF TRANSPORTATION
NAME	DATE	
ADDENDUM #1	MAY 27 2005	BRIDGE LIGHTING PLAN W.B. I-74 OVER N. MAIN ST.

ab **alfred benesch & company**
CONSULTING ENGINEERS
205 NORTH MICHIGAN AVENUE, CHICAGO, ILLINOIS 60601

DATE: 12/20/04

DRAWN BY DJK/MMK
CHECKED BY MKR

ms:pro 13:57:33 LIGHTING 7-4-Contract I111017-07-4br.mtr2.dgn 1/4/05 3:14 PM 4/21/2005