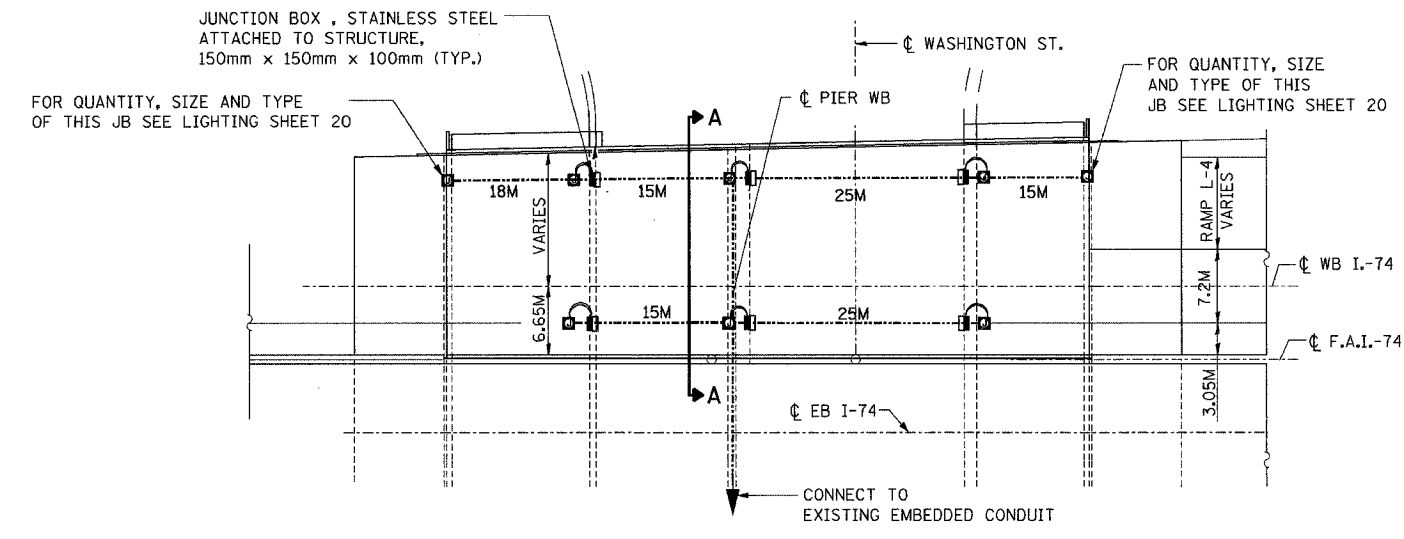
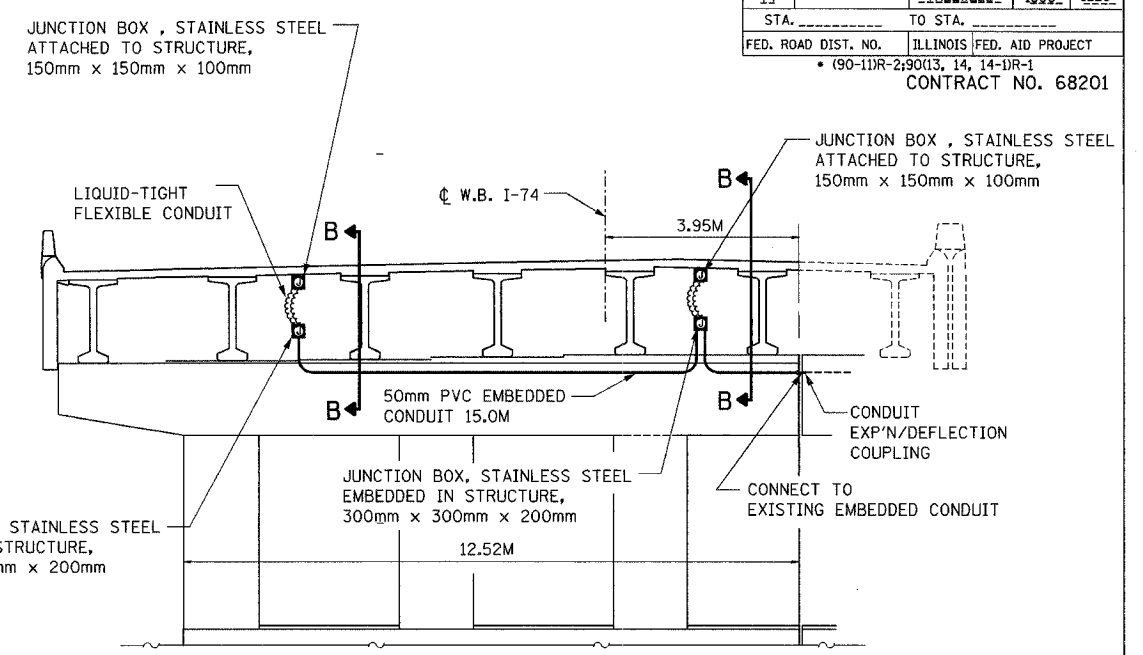


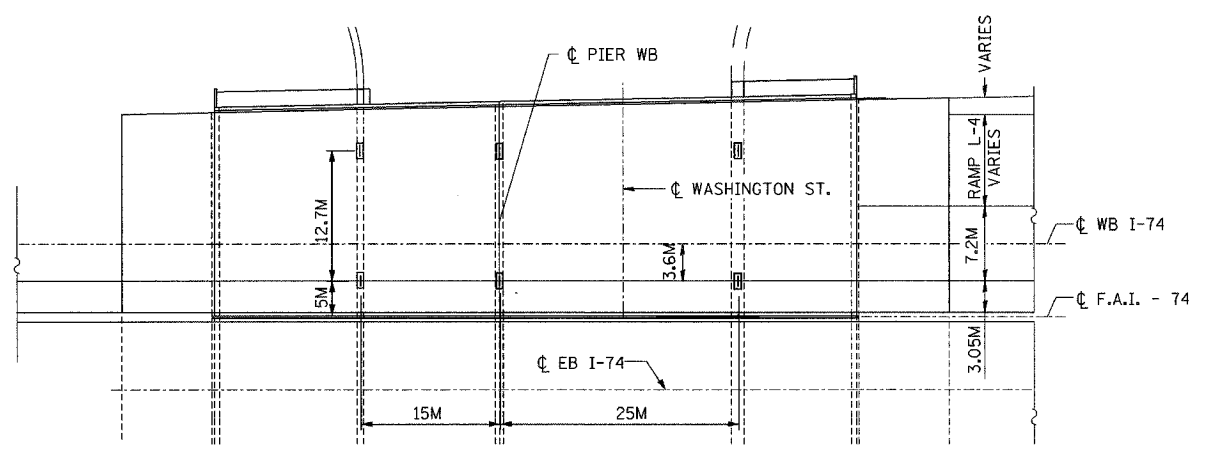
|                                 |                           |          |              |           |
|---------------------------------|---------------------------|----------|--------------|-----------|
| F.A.I. RTE.                     | SECTION                   | COUNTY   | TOTAL SHEETS | SHEET NO. |
| I4                              |                           | LAZEWELL | 1366         | 1228      |
| STA.                            | TO STA.                   |          |              |           |
| FED. ROAD DIST. NO.             | ILLINOIS FED. AID PROJECT |          |              |           |
| • (90-11R-2)90(13, 14, 14-1R-1) |                           |          |              |           |
| CONTRACT NO. 68201              |                           |          |              |           |



PLAN VIEW  
ATTACHED CONDUIT & JUNCTION BOXES



SECTION A-A



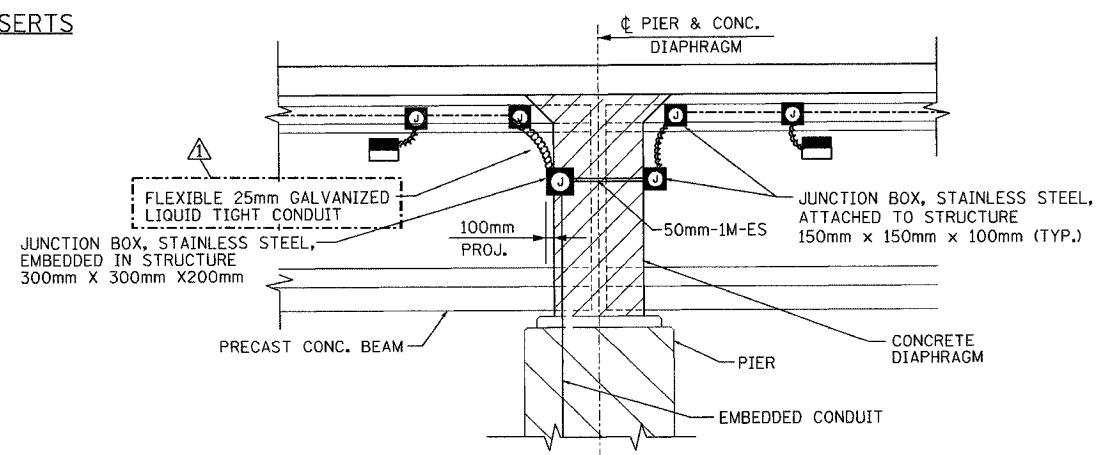
PLAN VIEW  
EMBEDDED CONCRETE INSERTS

STREET LIGHTING - BILL OF MATERIAL - THIS SHEET

| PAY ITEM  | UNIT  | QTY.  |
|---|-------|-------|
| CONDUIT ATTACHED TO STRUCTURE, 25mm DIA., GALVANIZED STEEL                  | METER | 113.0 |
| CONDUIT EMBEDDED IN STRUCTURE, 50mm DIA. PVC                                | METER | 17.0  |
| JUNCTION BOX, STAINLESS STEEL, ATTACHED TO STRUCTURE, 150MM X 150MM X 100MM | EACH  | 12    |
| JUNCTION BOX, STAINLESS STEEL, EMBEDDED IN STRUCTURE, 300mm X 300mm X 200mm | EACH  | 2     |
| UNDERPASS LUMINAIRE, (INSTALL ONLY)   | EACH  | 6     |

NOTES:

- FOR WIRING PLAN SEE LIGHTING SHEET 21.
- ALL EMBEDDED CONDUIT SHALL BE 50mm, PVC - SCH. 40, UNLESS OTHERWISE INDICATED.
- ALL JUNCTION BOXES ATTACHED TO STRUCTURE SHALL BE STAINLESS STEEL, 150mmx150mmx100mm, UNLESS OTHERWISE INDICATED.
- THE COST OF THE CONCRETE INSERTS SHALL BE INCLUDED IN THE PAY ITEM FOR "CONDUIT ATTACHED TO STRUCTURE."
- THE COST OF THE LIQUID-TIGHT CONDUIT SHALL BE INCLUDED IN THE PAY ITEM FOR "CONDUIT ATTACHED TO STRUCTURE."
- FOR SECTION B-B, SEE THIS SHEET.



SECTION B-B

LEGEND

|  |  |
|--|--|
|  | PROPOSED JUNCTION BOX  |
|  | PROPOSED ATTACHED CONDUIT, 25mm DIA., GALVANIZED STEEL               |
|  | PROPOSED EMBEDDED CONDUIT, 50mm DIA. PVC SCHEDULE 40                 |
|  | PROPOSED LIQUID-TIGHT FLEXIBLE CONDUIT, 25mm                         |
|  | EMBEDDED CONCRETE INSERT (SEE DETAIL SHEET 33)                       |
|  | UNDERPASS LUMINAIRE, HPSV, 100 WATT, 240 VOLT (SEE DETAIL SHEET 33). |

LIGHTING SHEET 18 OF 41

| REVISIONS   |             | ILLINOIS DEPARTMENT OF TRANSPORTATION                 |
|-------------|-------------|---|
| NAME        | DATE        |   |
| ADDENDUM #1 | MAY 27 2005 | BRIDGE LIGHTING PLAN<br>W.B. I-74 OVER WASHINGTON ST. |
|             |             |   |
|             |             |   |
|             |             |   |
|             |             |   |

DATE: 12/20/04

DRAWN BY DJK  
CHECKED BY MKR

**ab** **alfred benesch & company**  
CONSULTING ENGINEERS  
205 NORTH MICHIGAN AVENUE, CHICAGO, ILLINOIS 60601

4/21/2005 1:45:34 PM m:\p\013573\LIGHTING\4\Contract\1111012\cbw\ashdan