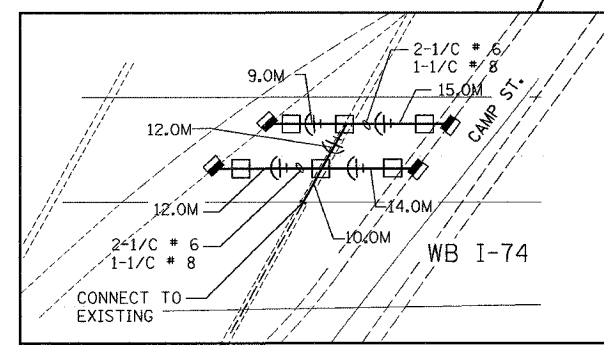
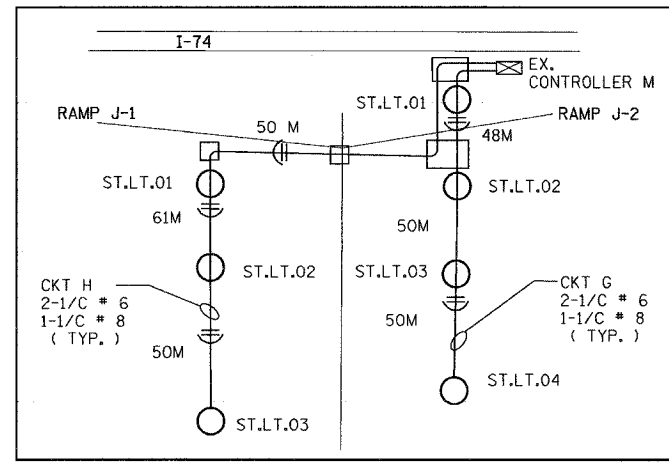
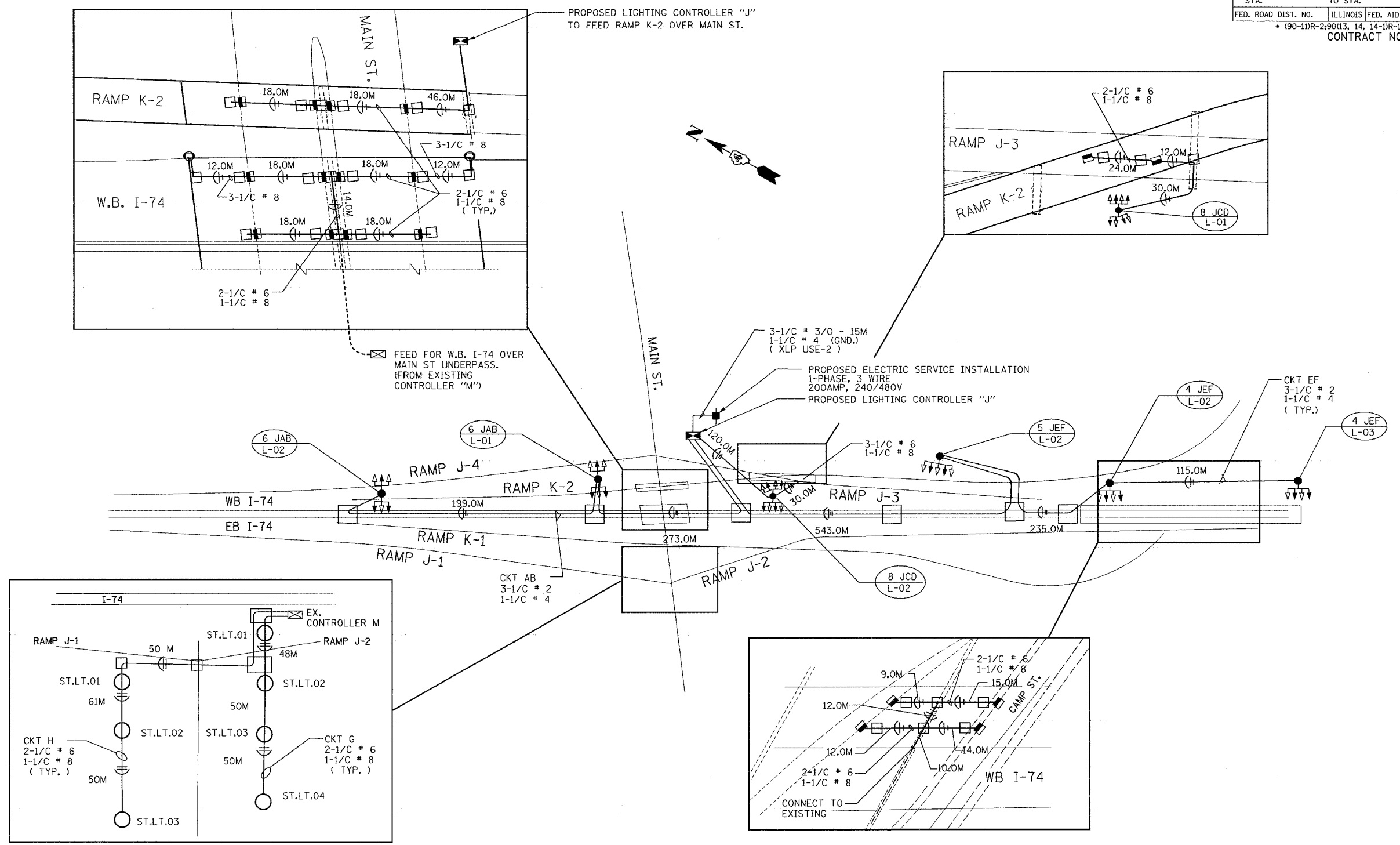


F.A.I. RTE.	SECTION	COUNTY	TOTAL SHEETS	SHEET NO.
74	*	TAZEWELL	1366	1230
STA.	TO STA.			
FED. ROAD DIST. NO.	ILLINOIS FED. AID PROJECT			
* (90-11R-2)90(13, 14, 14-1R-1)				
CONTRACT NO. 68201				



BILL OF MATERIAL-THIS SHEET

PAY ITEM	UNIT	QTY.
ELECTRIC CABLE IN CONDUIT, 600V (XLP-TYPE USE) 1/C * 8	METER	687.0
ELECTRIC CABLE IN CONDUIT, 600V (XLP-TYPE USE) 1/C * 6	METER	1230.0
ELECTRIC CABLE IN CONDUIT, 600V (XLP-TYPE USE) 1/C * 4	METER	1500.0
ELECTRIC CABLE IN CONDUIT, 600V (XLP-TYPE USE) 1/C * 2	METER	445.0
ELECTRIC CABLE IN CONDUIT, 600V (XLP-TYPE USE 2) 1/C * 3/0	METER	45.0

LIGHTING SHEET 20 OF 41

REVISIONS		NAME	DATE
NO.	DESCRIPTION		
1	ADDENDUM #1	MAY 27 2005	

ILLINOIS DEPARTMENT OF TRANSPORTATION

WIRING PLAN
I-74 AT N. MAIN ST.

DATE: 12/20/04

DRAWN BY DJK/MMK
CHECKED BY MKR

ab **alfred benesch & company**
CONSULTING ENGINEERS
205 NORTH MICHIGAN AVENUE, CHICAGO, ILLINOIS 60601

5/14/2005 1:36:59 PM m:\proj\1357-3\LIGHTING\Contract\11010101-7.dwg