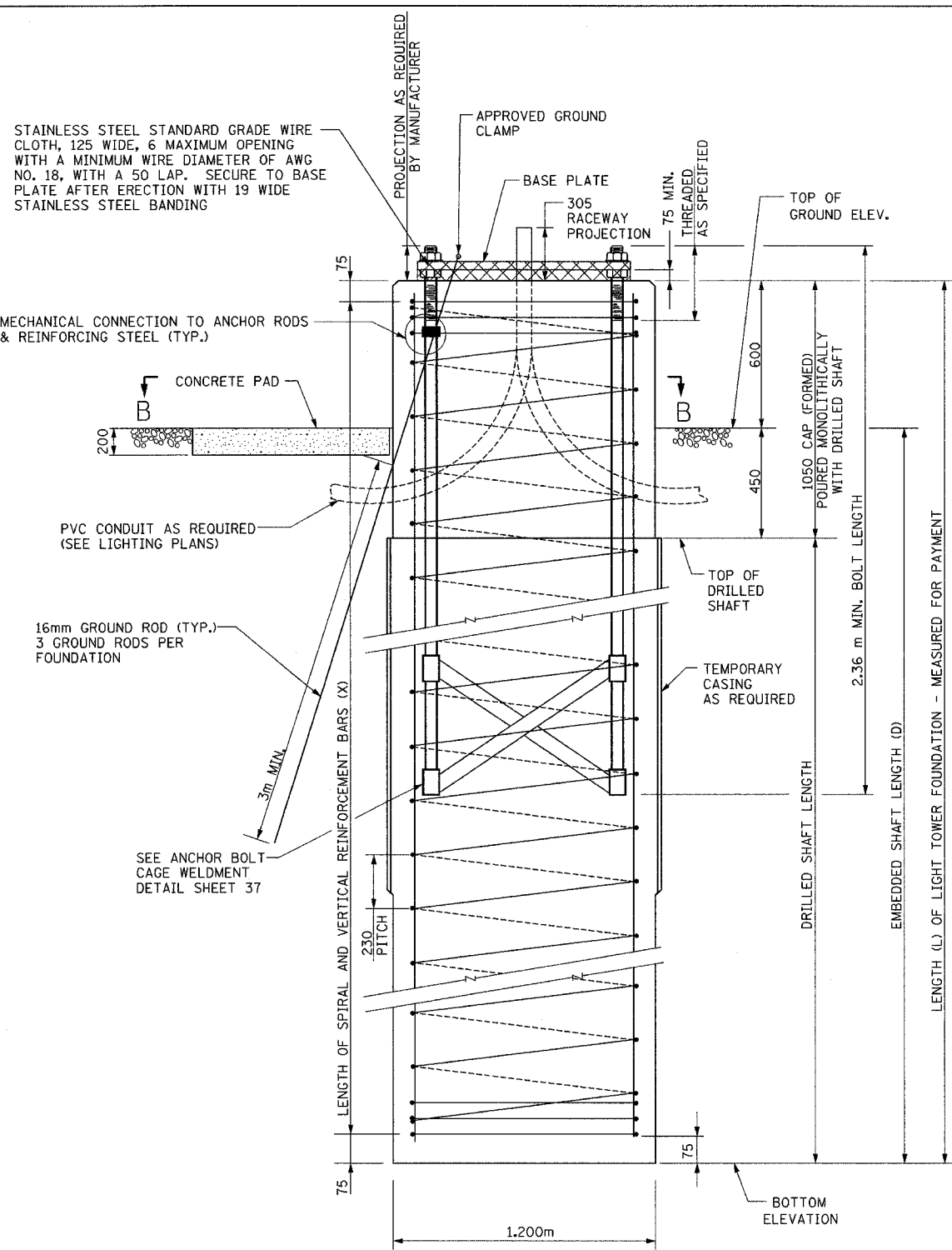
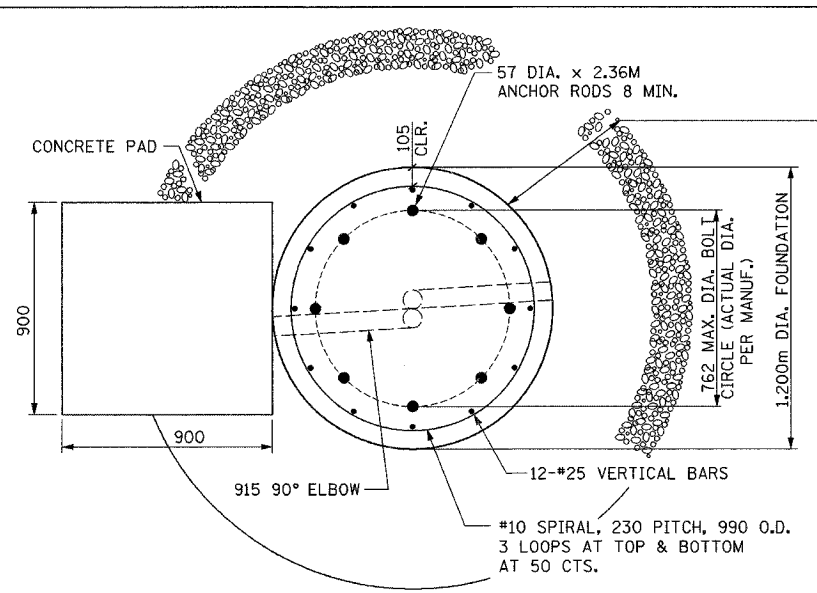


F.A.I. RTE.	SECTION	COUNTY	TOTAL SHEETS	SHEET NO.
74	*	TAZEWELL	1366	1245
STA.		TO STA.		
FED. ROAD DIST. NO.		ILLINOIS FED. AID PROJECT	CONTRACT NO. 68201	
* (90-111R-2)90(13, 14, 14-1R-1				

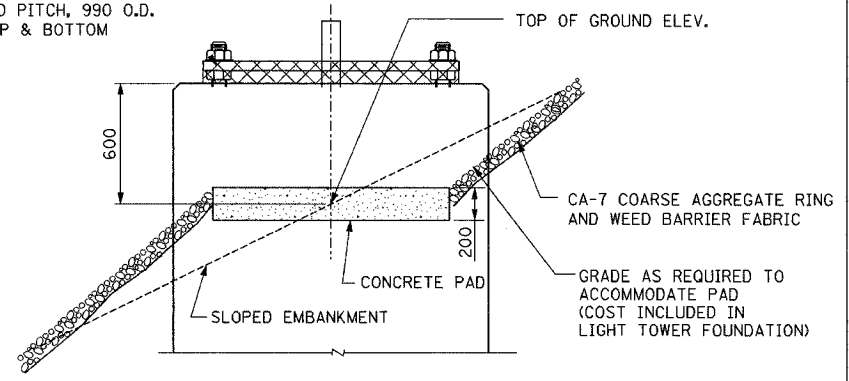


NOTE: NUTS SHALL BE TIGHTENED AGAINST THE BASE PLATE WITH 271 Nm MINIMUM TORQUE.

FOUNDATION ELEVATION



SECTION B-B



FOUNDATION ELEVATION SLOPED CONDITION

DRILLED SHAFT SCHEDULE								
POLE ID	STATION	OFFSET	BASE LINE	THEORETICAL TOP OF GROUND ELEV.	EMBEDDED SHAFT LENGTH (D) (METERS)	TOWER FDN. LENGTH (L) (METERS)	BORING LOG	LENGTH (X) OF REINF. (METERS)
6 JAB L-02	152+877.3	28L	I-74 E.B.	148.178	7.600	8.200	HMSB 88	8.050
6 JAB L-01	152+990.0	38.4L	I-74 E.B.	146.200	7.000	7.600	HMSB-089A, SB-235	7.450
8 JCD L-01	153+148.7	26.6L	I-74 E.B.	146.700	5.200	5.800	HMSB 90, SB-239, RWJ 3-3, RWJ 3-4	5.650
5 JEF L-01	153+303.0	46L	I-74 E.B.	157.025	5.400	6.000	HMSB 91A, BB-288	5.850
4 JEF L-02	153+494.5	27.4L	I-74 E.B.	149.033	7.500	8.100	SB-272	7.950
4 JEF L-03	153+600.0	27L	I-74 E.B.	143.566	6.600	7.200	HMSB 96	7.050
5 WAB L-03	153+965.0	102.7L	I-74 E.B.	143.208	5.800	6.400	HMSB 99	6.250
6 WAB L-04	154+060.0	108L	I-74 E.B.	145.942	6.600	7.200	HMSB 102	7.050
5 WAB L-05	154+153.0	86.5L	I-74 E.B.	150.451	5.500	6.100	HMSB 103	5.950

SEE NOTES A & B
SEE NOTE B

- A. NOTE PRESENCE OF VOIDS IN SOIL BORINGS.
- B. COST OF DRILLING INTO ROCK PAID FOR AS "ROCK EXCAVATION FOR STRUCTURES."

- NOTES:
- SEE FOUNDATION NOTES SHEET 37
 - THE COST OF THE GROUND RODS AND GROUND ROD CLAMPS SHALL BE INCLUDED IN THE LIGHT TOWER FOUNDATION PAY ITEM. THREE GROUND RODS ARE REQUIRED AT EACH LOCATION.

ab alfred benesch & company
CONSULTING ENGINEERS
205 NORTH MICHIGAN AVENUE, CHICAGO, ILLINOIS 60601

REVISIONS	
NAME	DATE
ADDENDUM #1	MAY 27 2005

ILLINOIS DEPARTMENT OF TRANSPORTATION
LIGHT TOWER FOUNDATION
(TYPE 2 IN-FIELD)

DATE: 12/20/04
DRAWN BY CDF
CHECKED BY WJZ

4/21/2005 1:46:43 PM D:\NOV\1557\3\LIGHTING\4\Contract\111100-7a\Int\FDNG.PGN