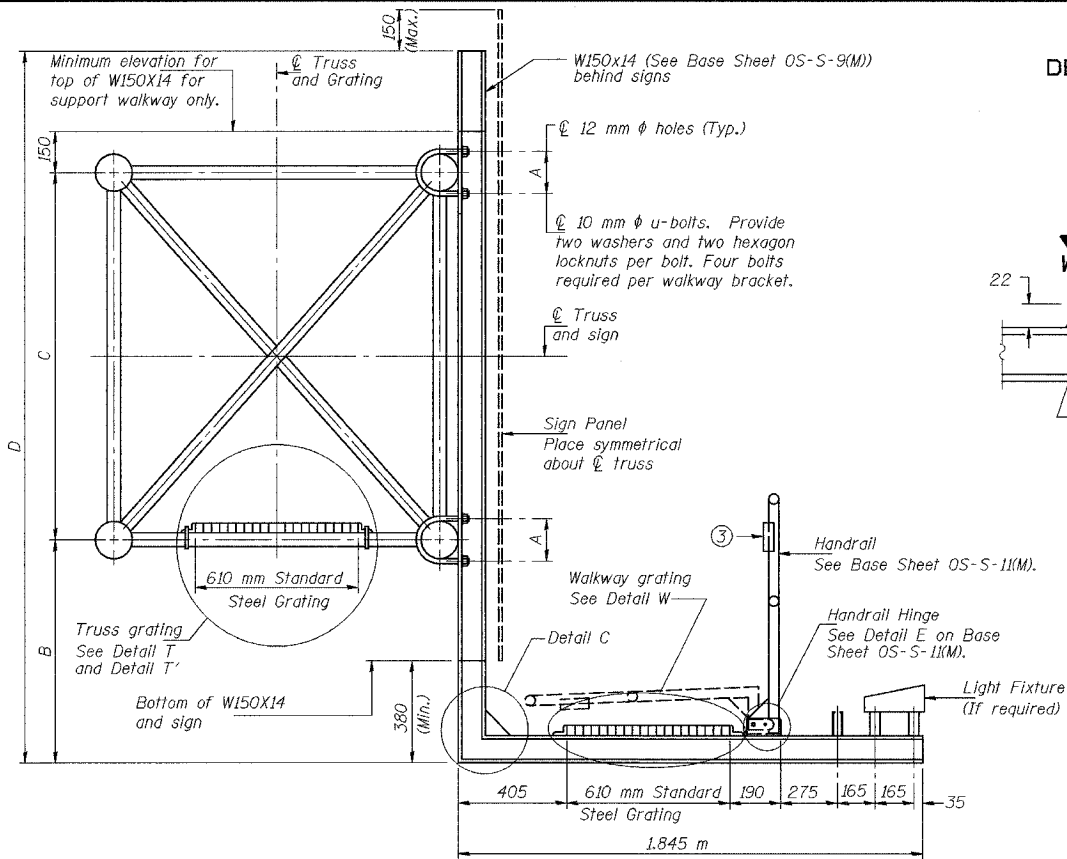


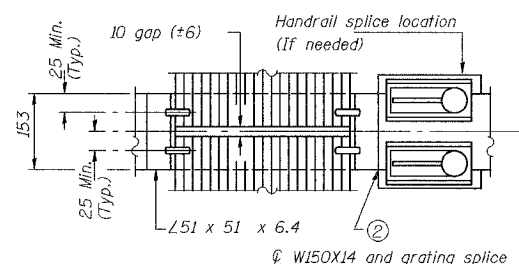
STATE OF ILLINOIS
DEPARTMENT OF TRANSPORTATION

ROUTE No.	SECTION	COUNTY	TOTAL SHEETS	SHEET NO.
FAI74	*	TAZEWELL	1366	1311
STA.		TO STA.		
F.H.W.A. REGION		ILLINOIS	PROJECT	

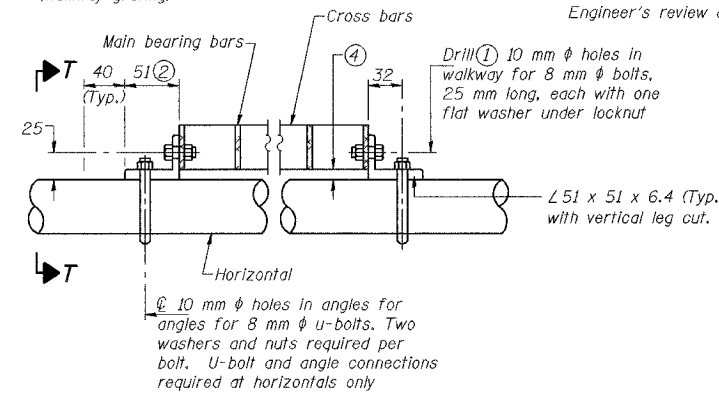
* (90-11R-2;9013, 14, 14-11R-1)
CONTRACT NO. 68201



SECTION B-B



DETAIL W
(Walkway grating)

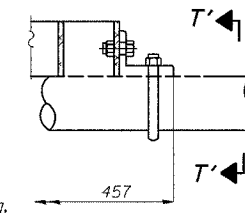


DETAIL T
(Continuous Truss grating)

BARS SIZES FOR STANDARD STEEL GRATING

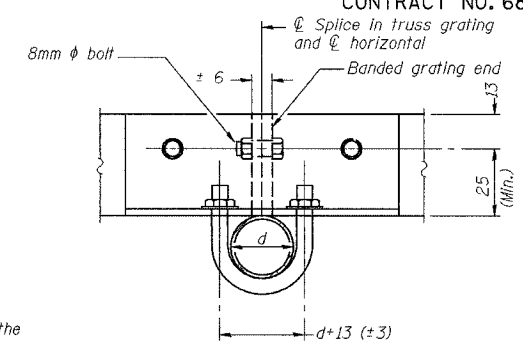
TRUSS GRATING Main bearing bars 5 mm x 38 mm on 30 mm centers.
Cross bars 5 mm x 38 mm on 102 mm centers.
WALKWAY GRATING Main bearing bars 5 mm x 38 mm on 30 mm centers.
Cross bars 5 mm x 38 mm on 102 mm centers.

Structure Number	Station	A (m)	B (m)	C (m)	D (m)
4S0901074L095.3	153+410	0.153	1.296	1.370	3.812

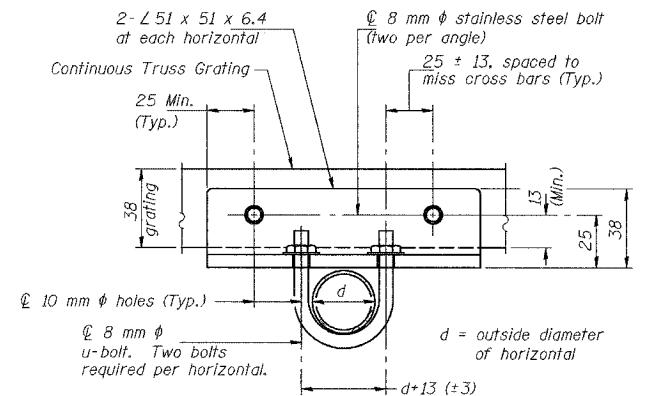


DETAIL T'

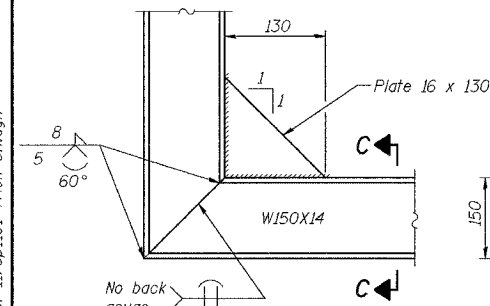
(Truss grating splice)
Details not shown same as Detail T.
Alternate materials may be used subject to the Engineer's review and approval.



SECTION T'-T'

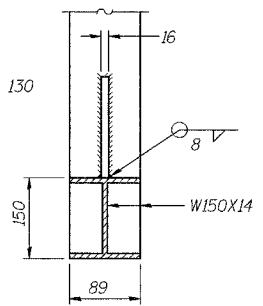


SECTION T-T

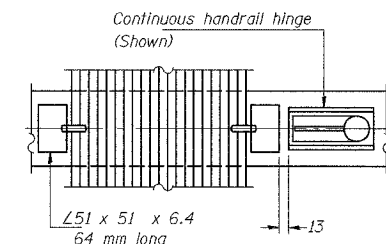


DETAIL C

(See Detail P, Base Sheet OS-S-11(M).)



SECTION C-C



SECTION W-W
(CONTINUOUS WALKWAY GRATING)

DESIGNED	RJW
CHECKED	KJN
DRAWN	RJW
CHECKED	KJN

EXAMINED
PASSED
ENGINEER OF STRUCTURAL SERVICES
ENGINEER OF BRIDGES AND STRUCTURES

2004

NUMBER	REVISION	DATE

OS-S-10(M) 10/1/2001

Walkway Grating, Walkway Supports, Handrail and Lighting are not included. Information shown on this sheet shall be used for Truss Grating and Sign Brackets only.

SIGNING SHEET 60 OF 74

OVERHEAD SIGN STRUCTURES
STEEL WALKWAY DETAILS

ILLINOIS DEPARTMENT OF TRANSPORTATION

SIGNING PLAN
W.B. I-74 STA. 153+410, S.N. 4S0901074L095.3

TAZEWELL CO., IL. DATE: 12-20-04

M:\Proj\3573\Sign Structures\Contract II\sp101-7A0h-stf.dgn