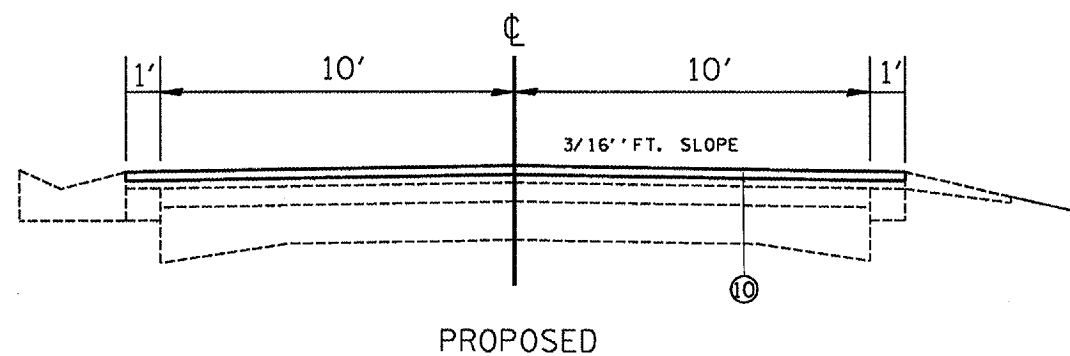
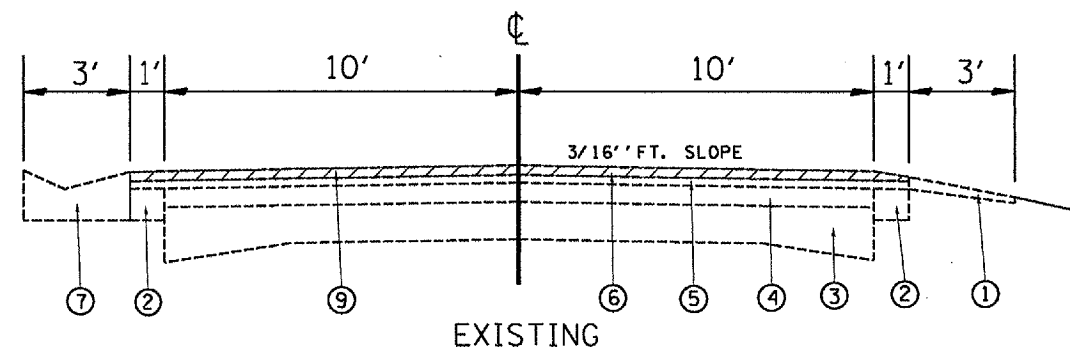
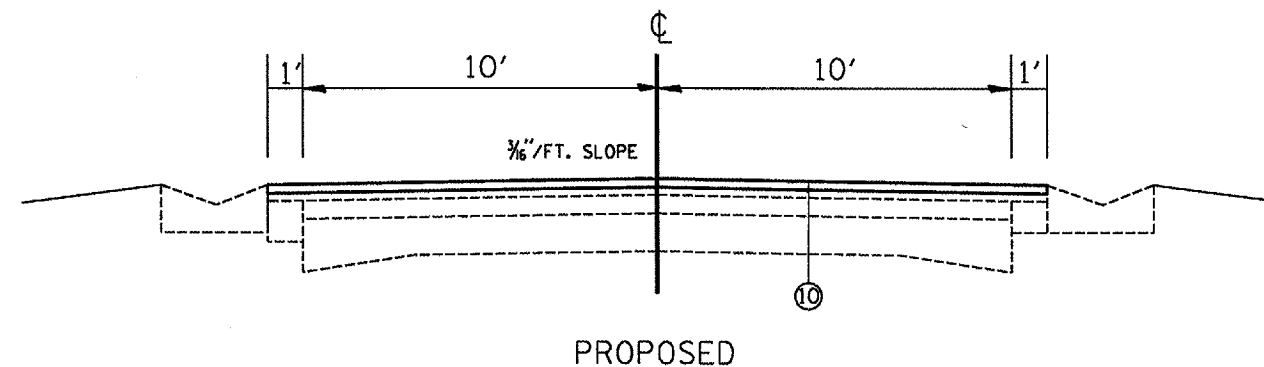
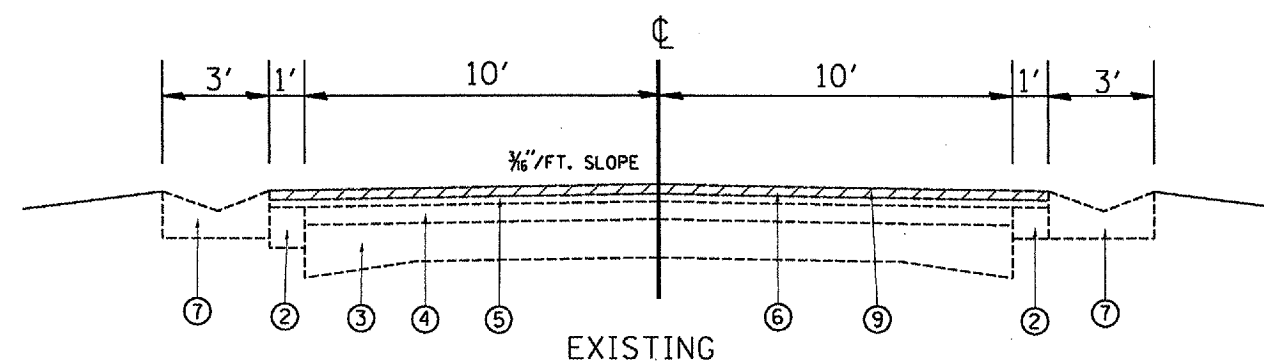


F.A.P. RTE.	SECTION	COUNTY	TOTAL SHEETS	SHEET NO.
612	1109,110RS-1		40	6
STA.		TO STA.		
FED. ROAD DIST. NO.		ILLINOIS FED. AID PROJECT		
*FULTON & SCHUYLER				



STA. 1227+15 - 1233+35
 STA. 1239+06 - 1239+12



STA. 1233+35 - 1239+06

- ① EXIST. AGG. SHLDR. TYPE B
- ② EXIST. STAB. SHLDR. 6"
- ③ EXIST. PCC PAV'T.
- ④ EXIST. BIT. OVERLAY
- ⑤ EXIST. LEVEL BINDER MM TYPE 2, 3/4"
- ⑥ EXIST. BCSC MIX C, CL 1, TY 2, 1 1/2"
- ⑦ EXIST. CONC. GUTTER TYPE A
- ⑧ PROP. BIT. SURF. REMOVAL, 3/4"
- ⑨ PROP. BIT. SURF. REMOVAL, 1 1/2"
- ⑩ PROP. BCSC, SUPERPAVE, MIX D, N50, 1 1/2"
- ⑪ PROP. AGG. SHLDR., TYPE B

REVISIONS	
NAME	DATE

ILLINOIS DEPARTMENT OF TRANSPORTATION
 EXISTING AND PROPOSED
 TYPICALS SECTIONS

SCALE: VERT.
 HORIZ.
 DATE

DRAWN BY
 CHECKED BY