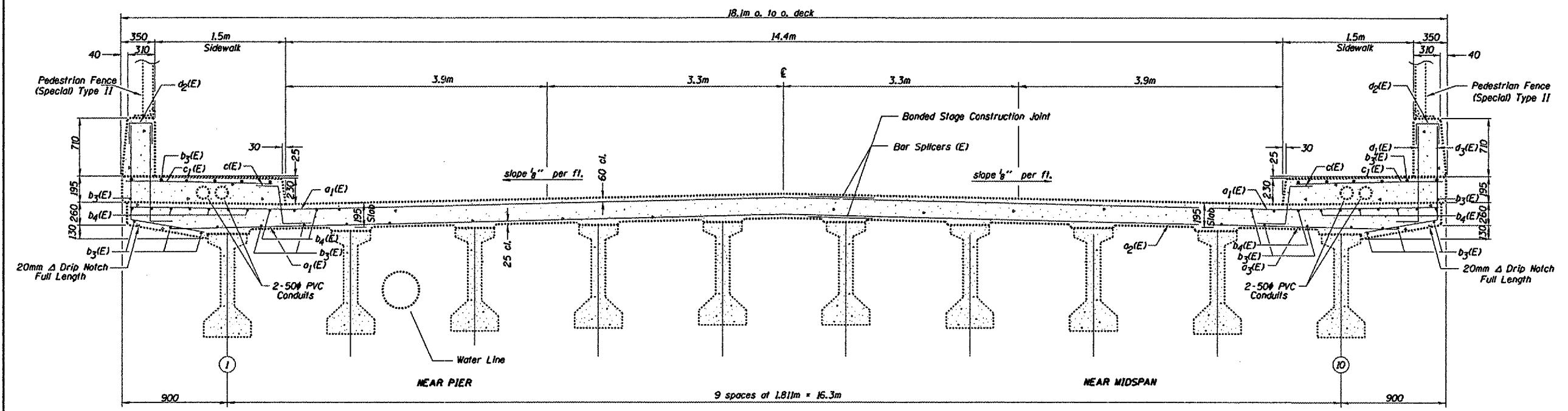
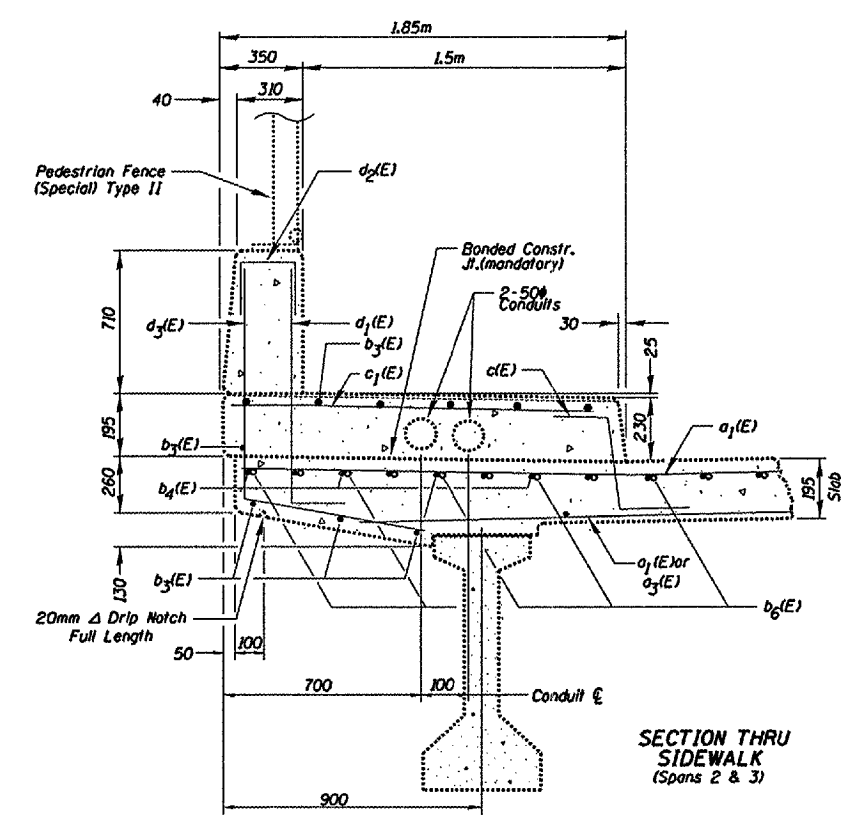


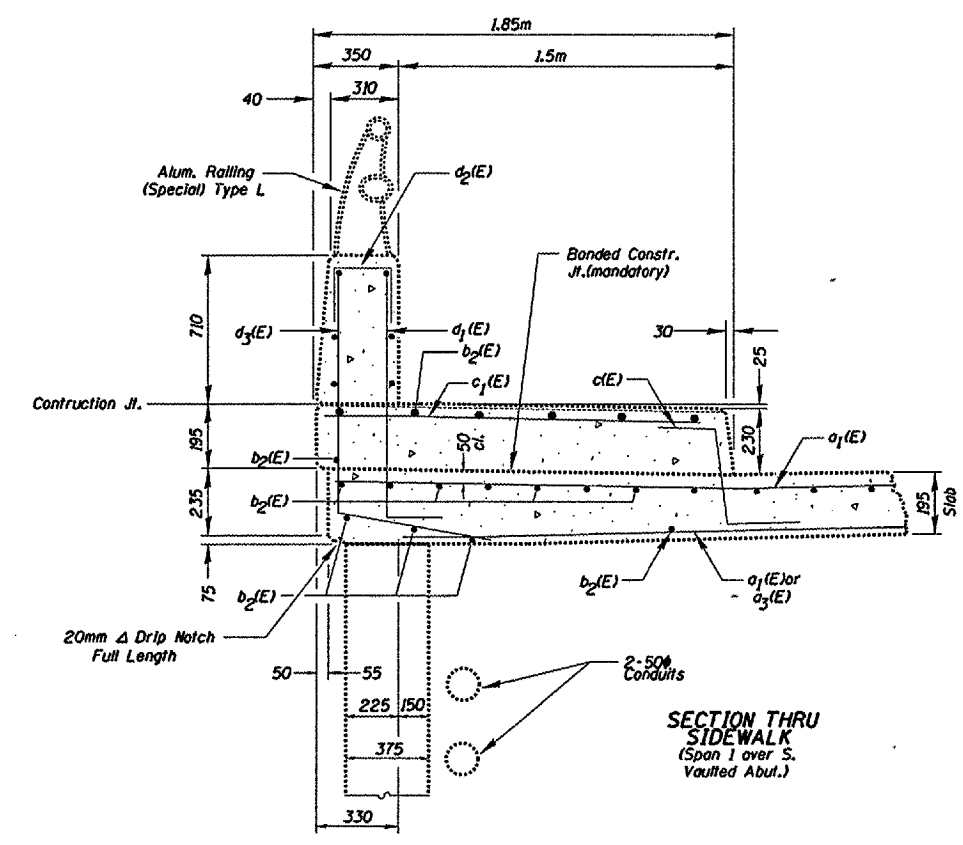
F.A.I. RTE.	SECTION	COUNTY	TOTAL SHEETS	SHEET NO.
74	(72-8HB-2)	PEORIA	18	4
STA. 146+204.55 TO STA. 149+904.55		ILLINOIS FED. AID PROJECT		



CROSS SECTION THRU BRIDGE DECK
(Looking North)



SECTION THRU SIDEWALK
(Spans 2 & 3)



SECTION THRU SIDEWALK
(Span 1 over S. Vaulted Abut.)

REVISIONS	
NAME	DATE

ILLINOIS DEPARTMENT OF TRANSPORTATION

STRUCTURE CROSS SECTIONS

SCALE: VERT. HORIZ. DATE: 03-15-2005

DRAWN BY: CEJ
CHECKED BY:

PLOT DATE: 03-15-2005
 FILE NAME: S:\CONTRACTS\74\74-8HB-2\STRUCTURE\SECTION\SECTION.DWG
 PLOT SCALE: 1/8"=1'-0"
 REFERENCE: SHEET 4 OF 18