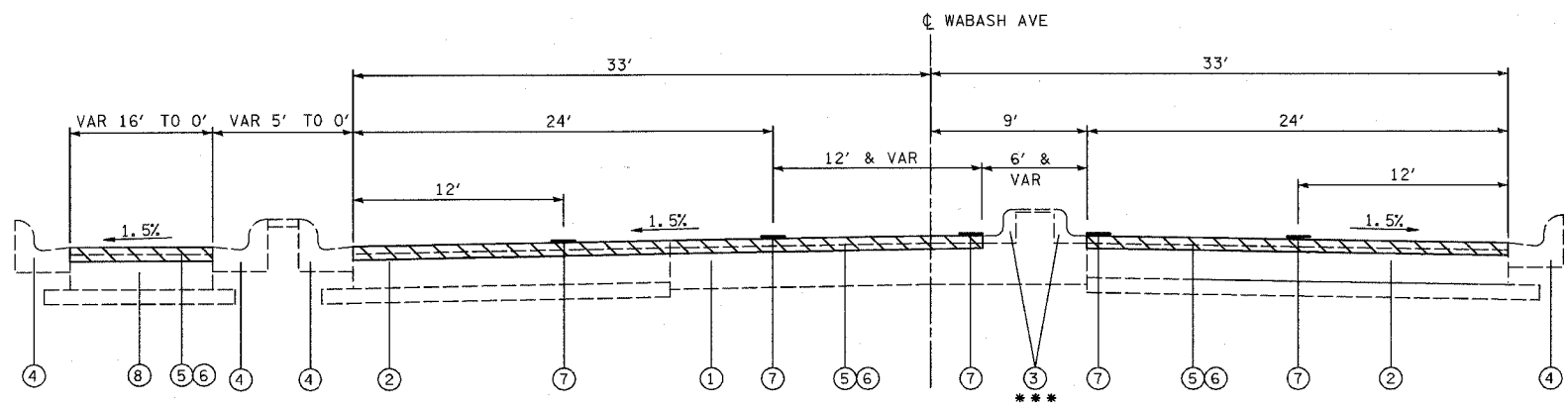


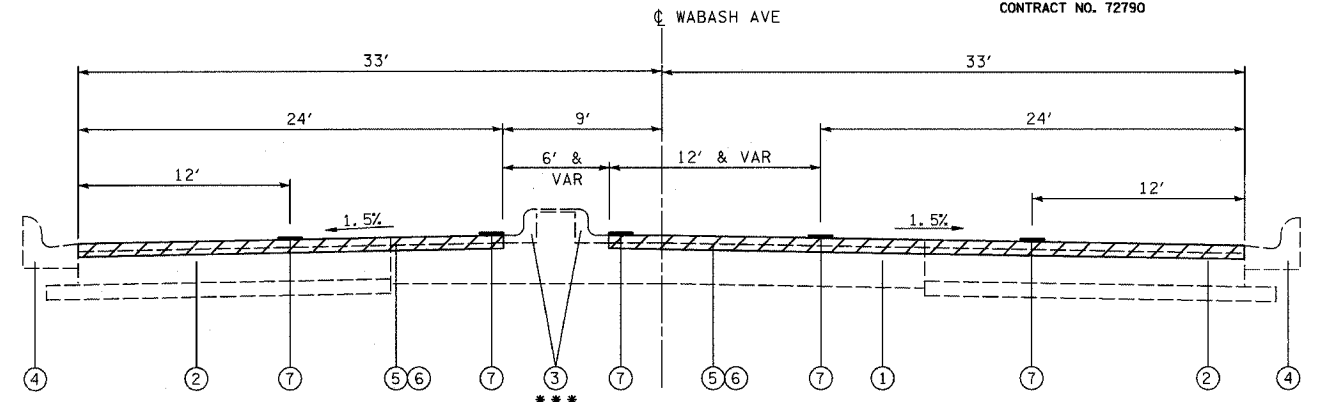
SECTION	COUNTY	TOTAL SHEETS	SHEET NO.
664 *	SANGAMON	61	5

STA. TO STA.  
EXISTING CONDITIONS:  
\* D-6 RESURFACING 2005-1  
CONTRACT NO. 72790



**TYPICAL SECTION - WABASH AVE.**  
NOT TO SCALE

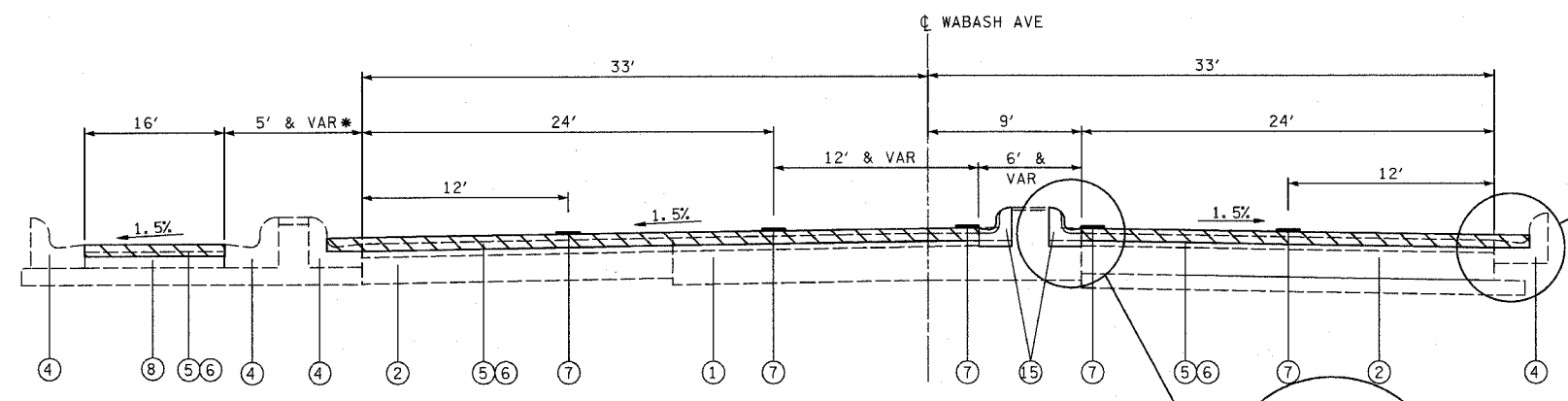
STA EQUATION #1 STA 521+74.38 BK = STA 521+79.92 AH  
STA 521+87 WB TO STA 526+30 WB  
STA 528+65 TO STA 531+41 \*\*\*  
STA 540+14 TO STA 542+75



**TYPICAL SECTION - WABASH AVE.**  
NOT TO SCALE

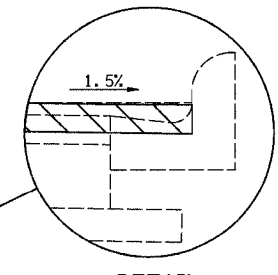
STA 532+74 EB TO STA 535+50 EB  
STA 533+18 WB TO STA 535+50 WB  
STA 544+41 TO STA 548+10  
STA 556+15 TO STA 559+75 \*\*\*  
STA 565+20 TO STA 568+45 \*\*  
STA 521+87 EB TO STA 526+30 EB

\*\* STA EQUATION #2 STA 566+80.61 BK = STA 566+81.50 AH

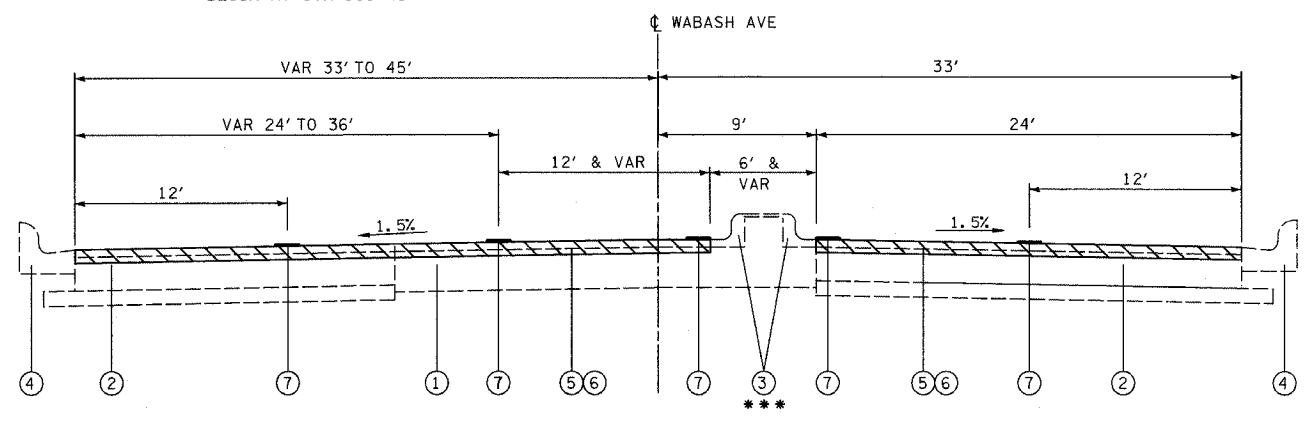


**TYPICAL SECTION - WABASH AVE.**  
NOT TO SCALE

\* STA 526+30 TO STA 528+65  
STA 526+30 TO STA 528+65  
STA 568+45 TO STA 570+40



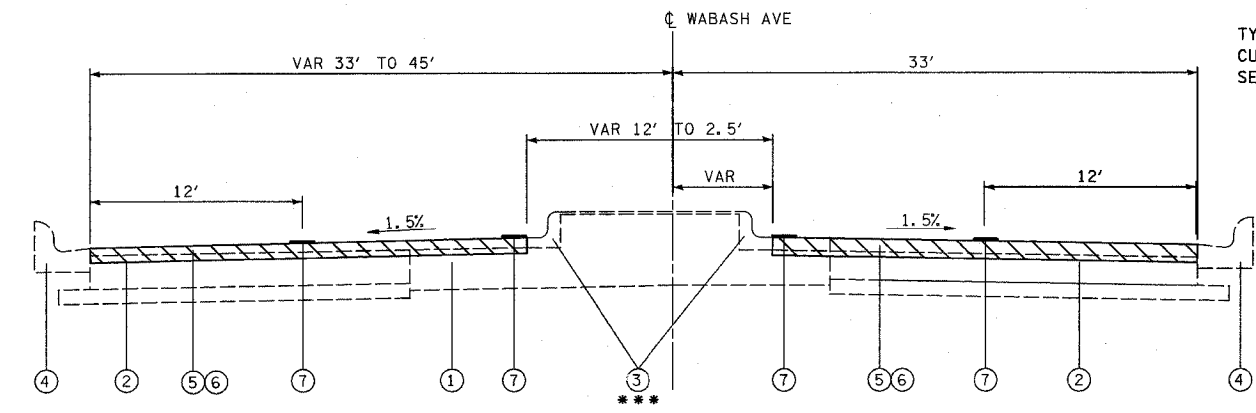
**DETAIL**  
BEGIN AT STA 568+45



**TYPICAL SECTION - WABASH AVE.**  
NOT TO SCALE

STA 548+10 TO STA 551+55 \*\*\*  
STA 559+75 TO STA 565+20

\*\*\* REMOVE AND REPLACE CURB AND GUTTER AND MEDIAN (SEE PLANS)



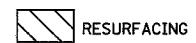
**TYPICAL SECTION - WABASH AVE.**  
NOT TO SCALE

STA 531+41 EB TO STA 532+74 EB  
STA 535+50 TO STA 540+14  
STA 542+75 TO STA 544+41  
STA 551+55 TO STA 556+15 \*\*\*

TYPICAL COMBINATION CONCRETE CURB AND GUTTER (SPECIAL)  
SEE MISCELLANEOUS DETAILS

**LEGEND**

- ① EXISTING PCC PAVEMENT 9" WITH BITUMINOUS SURFACE COURSE 1/2"
- ② EXISTING PCC BASE COURSE WIDENING 8" WITH BITUMINOUS SURFACE COURSE 1/2"
- ③ EXISTING CONCRETE MEDIAN
- ④ EXISTING CONCRETE CURB AND GUTTER
- ⑤ PROPOSED BITUMINOUS SURFACE REMOVAL, 2"
- ⑥ POLYMERIZED BITUMINOUS CONCRETE SURFACE COURSE, SUPERPAVE, MIX E, N90, 2"
- ⑦ PROPOSED PAVEMENT MARKING - LINE 5"
- ⑧ EXISTING BITUMINOUS BASE COURSE WITH BITUMINOUS SURFACE COURSE
- ⑨ EXISTING BRICK
- ⑩ EXISTING PCC PAVEMENT 9"-6"-9"
- ⑪ EXISTING BITUMINOUS CONCRETE, VARIABLE DEPTH
- ⑫ EXISTING PCC BASE COURSE
- ⑬ EXISTING SAND CUSHION
- ⑭ EXISTING BITUMINOUS CONCRETE VARIABLE DEPTH
- ⑮ PROPOSED COMBINATION CONCRETE CURB AND GUTTER, (SPECIAL)



**HOMER L. CHASTAIN & ASSOCIATES, LLP**  
CONSULTING ENGINEERS  
DECATUR (317) 422-8544  
CHICAGO (773) 714-0050  
184-001397

REVISIONS	
NAME	DATE

ILLINOIS DEPARTMENT OF TRANSPORTATION  
FAP ROUTE 664  
(WABASH AVE. & MACARTHUR BLVD)  
SECTION D-6 RESURFACING 2005-1  
SANGAMON COUNTY  
**TYPICAL SECTIONS**  
DRAWN BY: EMR  
CHECKED BY: CAS

PLAN	DATE	BY
SURVEYED		
ALIGNED		
CHECKED		
NO. OF WAYS ADJUSTED		
NOTE BOOK NO.		
FIELD FILE NAME		

\*DATE\*  
\*TIME\*  
\*REF\*  
\*FILE\*