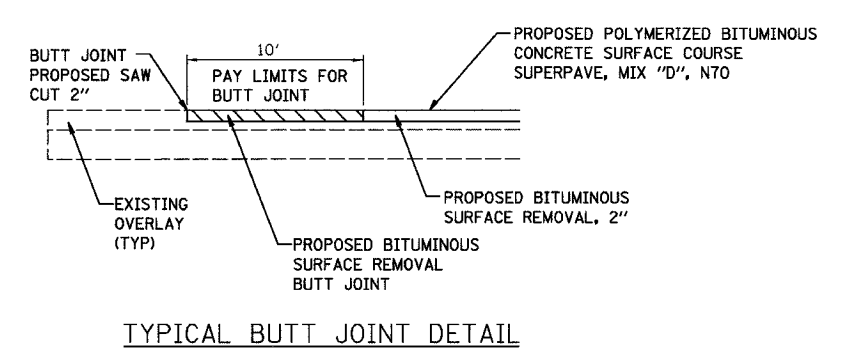
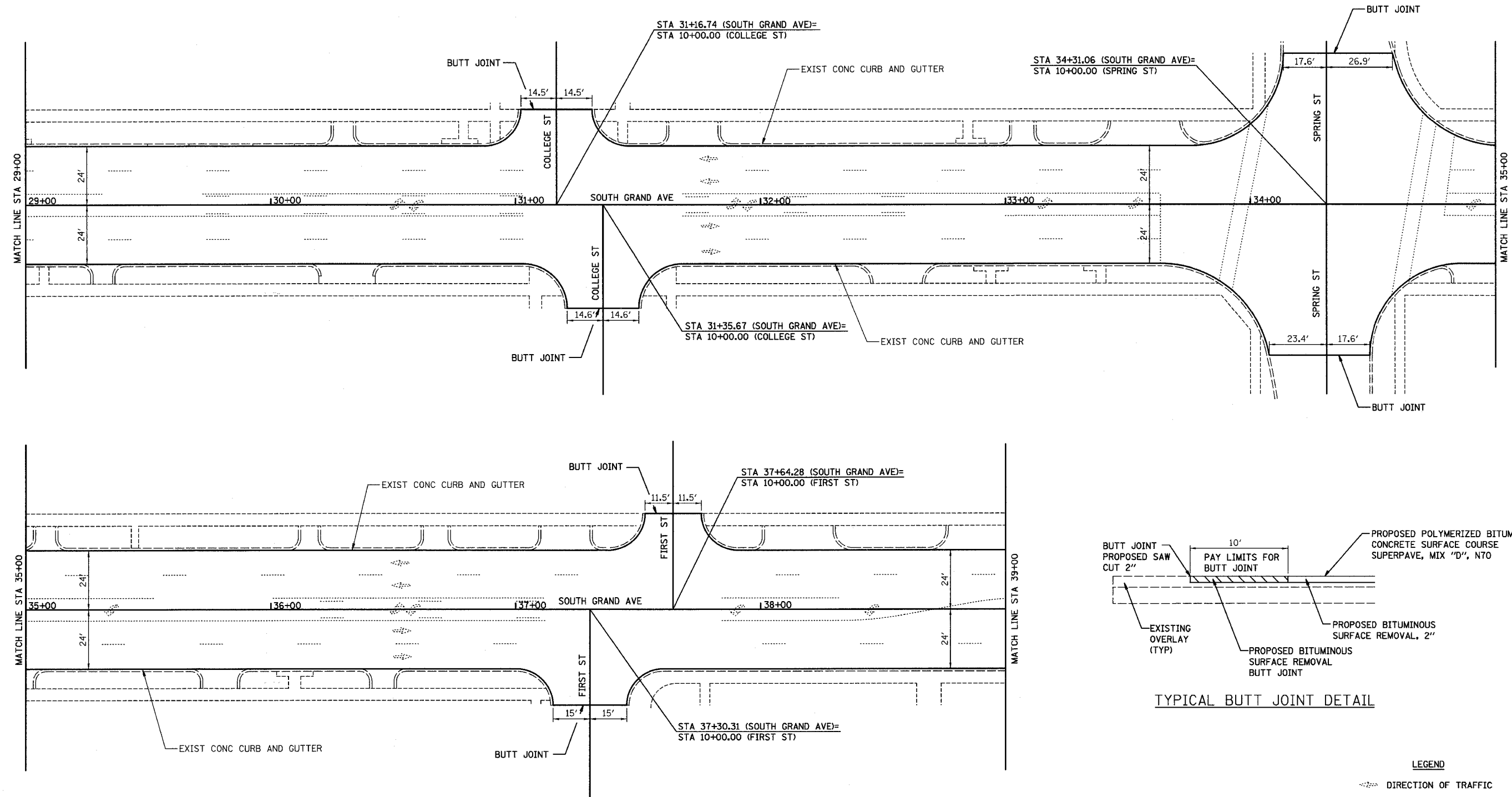


PROJECT NO.	SECTION	COUNTY	TOTAL SHEETS	SHEET NO.
664	*	SANGAMON	61	30
STA. TO STA.				
EXISTING CONDITIONS:				
* D-6 RESURFACING 2005-1 CONTRACT NO. 72790				



PLAN	SURVEYED	DATE
	ALIGNED	
	CHECKED	
	BY	
	NO.	



TYPICAL BUTT JOINT DETAIL

LEGEND
 ->->- DIRECTION OF TRAFFIC

HOMER L.
CHASTAIN
 & ASSOCIATES, LLP
 CONSULTING ENGINEERS
 DECATUR (217) 422-8544
 CHICAGO (773) 714-0050
 184-001397

REVISIONS	
NAME	DATE

ILLINOIS DEPARTMENT OF TRANSPORTATION
 FAP ROUTE 664
 (SOUTH GRAND AVE EAST)
 SECTION D-6 RESURFACING 2005-1
 SANGAMON COUNTY
ROADWAY PLAN
 DRAWN BY: EMR
 CHECKED BY: GLF

SOUTH GRAND AVE (EAST) STA 29+00 TO STA 39+00

DATE: 08/14/13
 TIME: 10:15 AM
 PROJECT: 184-001397