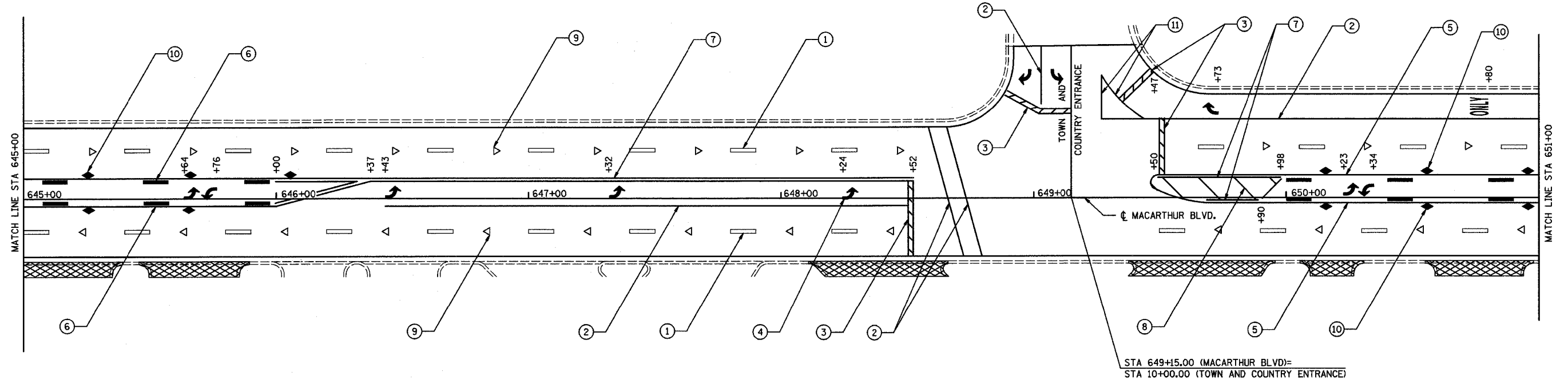
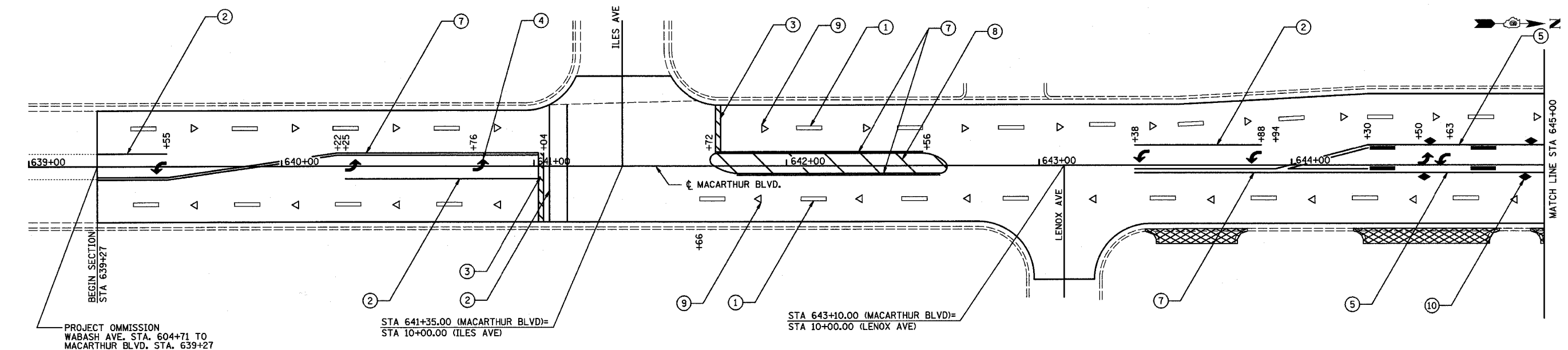


FIP ROUTE	SECTION	COUNTY	TOTAL SHEETS	SHEET NO.
664	*	SANGAMON	61	41
STA. TO STA.				
EXISTING CONDITIONS:				
* D-6 RESURFACING 2005-1				
CONTRACT NO. 72790				

PLAN	SUBMITTED	DATE
NO.	BY	
	CHECKED	
	DATE	
	NO.	



LEGEND

- | | |
|---|--|
| ① PREFORMED PLASTIC PAVEMENT MARKING LINE, TYPE B - 5" WHITE SKIP DASH 10' ON/30' OFF | ⑦ PREFORMED PLASTIC PAVEMENT MARKING LINE, TYPE B - 5" DOUBLE YELLOW LANE LINE |
| ② PREFORMED PLASTIC PAVEMENT MARKING LINE, TYPE B - 6" WHITE LINE | ⑧ PREFORMED PLASTIC PAVEMENT MARKING LINE, TYPE B - 12" YELLOW DIAGONAL @ 45°, 20' C-C |
| ③ PREFORMED PLASTIC PAVEMENT MARKING LINE, TYPE B - 24" WHITE STOP BAR | ⑨ RAISED REFLECTIVE PAVEMENT MARKERS - 1 WAY CRYSTAL |
| ④ PREFORMED PLASTIC PAVEMENT MARKING, TYPE B - LETTERS AND SYMBOLS | ⑩ RAISED REFLECTIVE PAVEMENT MARKERS - 2 WAY AMBER |
| ⑤ THERMOPLASTIC PAVEMENT MARKING LINE - 5" YELLOW LINE | ⑪ PREFORMED PLASTIC PAVEMENT MARKING LINE, TYPE B - 8" WHITE LINE |
| ⑥ THERMOPLASTIC PAVEMENT MARKING LINE - 5" YELLOW SKIP DASH 10' ON/30' OFF | ⑫ THERMOPLASTIC PAVEMENT MARKING LINE - 12" WHITE LINE |

HOMER L. CHASTAIN & ASSOCIATES, LLP
CONSULTING ENGINEERS
DECATUR (217) 422-8544
CHICAGO (773) 714-0050
184-001397

REVISIONS	
NAME	DATE

ILLINOIS DEPARTMENT OF TRANSPORTATION
FAP ROUTE 664
(WABASH AVE & MACARTHUR BLVD)
SECTION D-6 RESURFACING 2005-1
SANGAMON COUNTY

PAVEMENT MARKING PLAN

DRAWN BY: WJW CHECKED BY: GLF