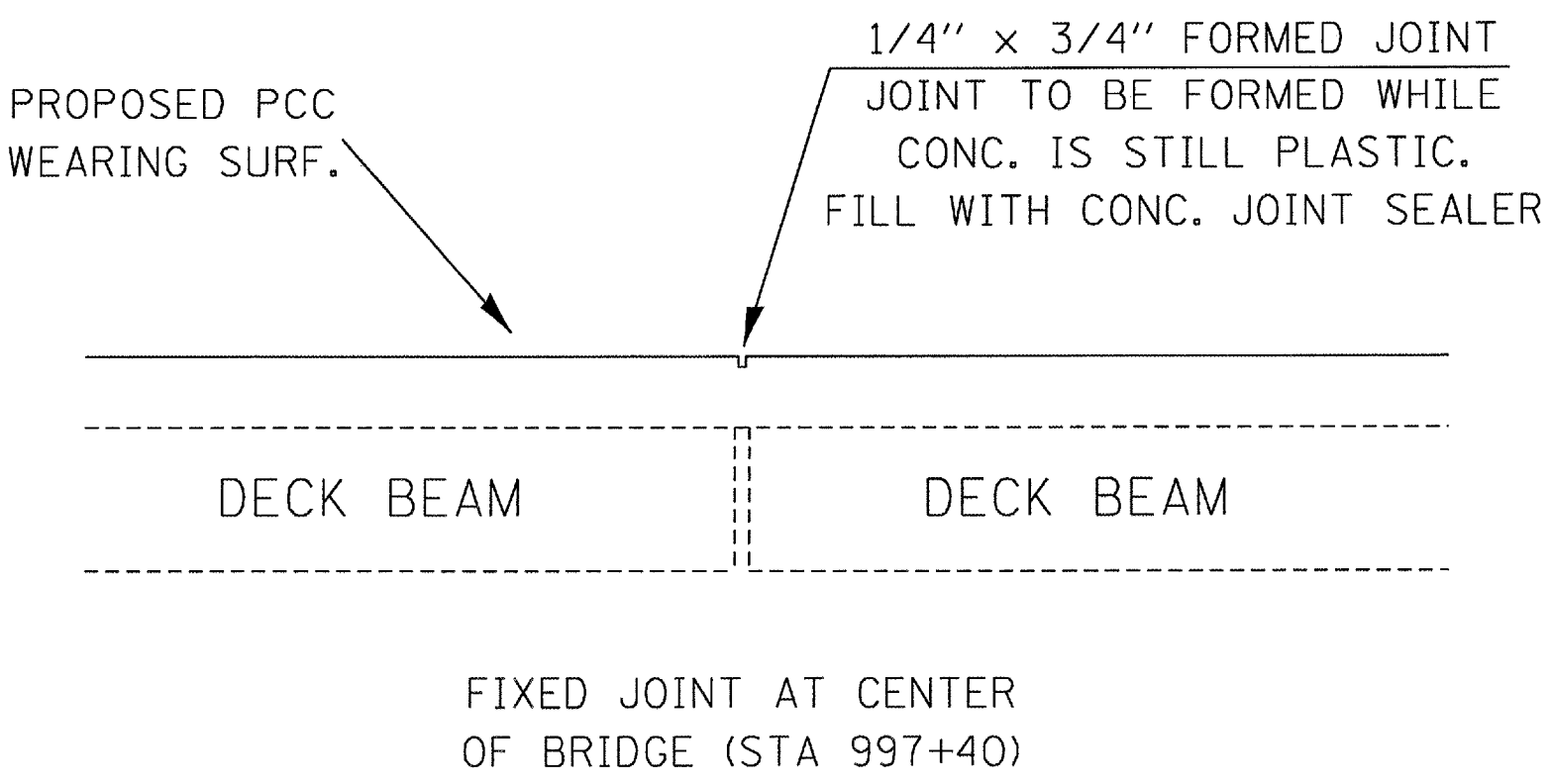
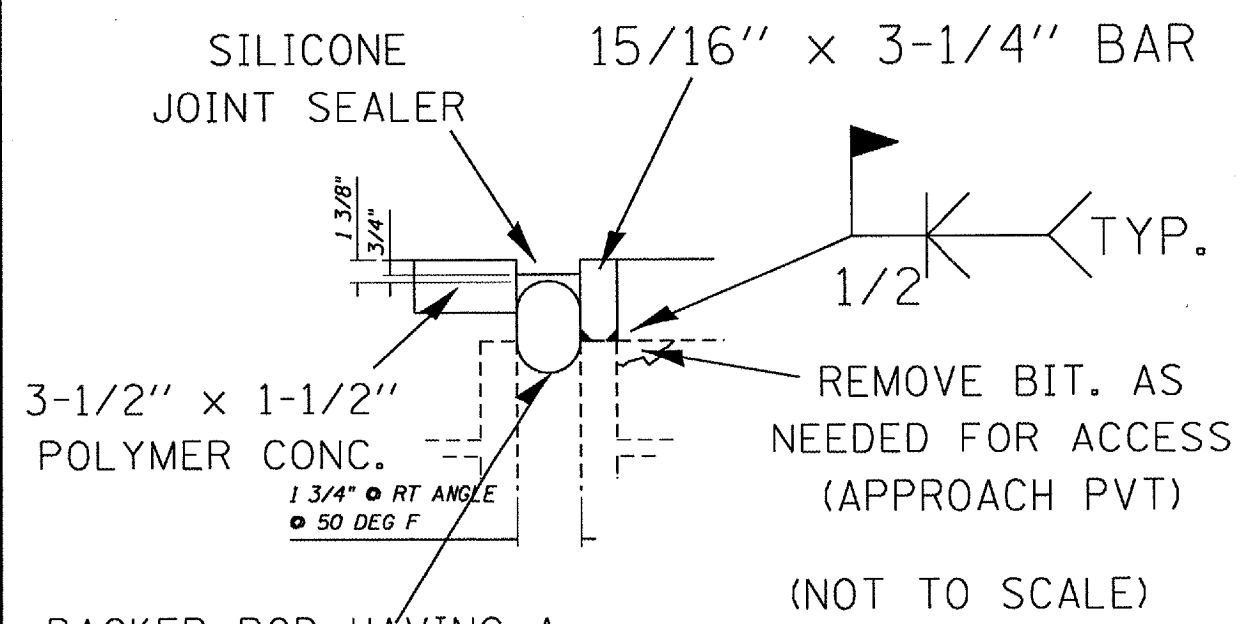


EXPANSION JOINTS AT ENDS OF BRIDGE



FIXED JOINT AT CENTER OF BRIDGE (STA 997+40)



BACKER ROD HAVING A DIAMETER OF 25% GREATER THAN THE JT OPENING AT TIME OF INSTALLATION

EXPANSION JOINT DETAIL
 FAP 614 (IL 78)
 SECTION (144BR-3)D
 CASS COUNTY

(NOT TO SCALE)