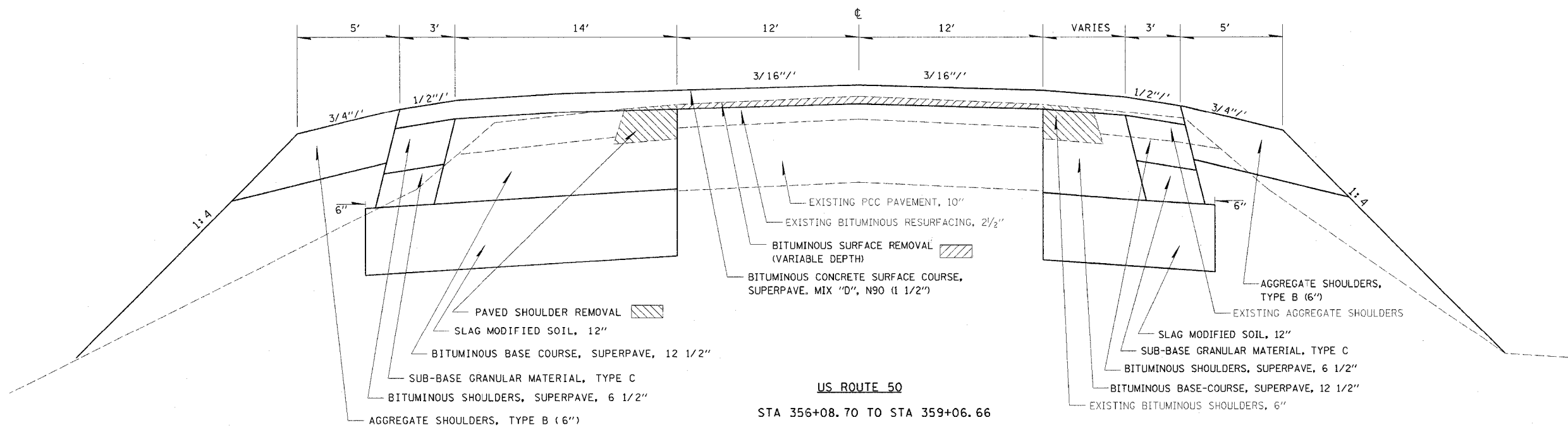
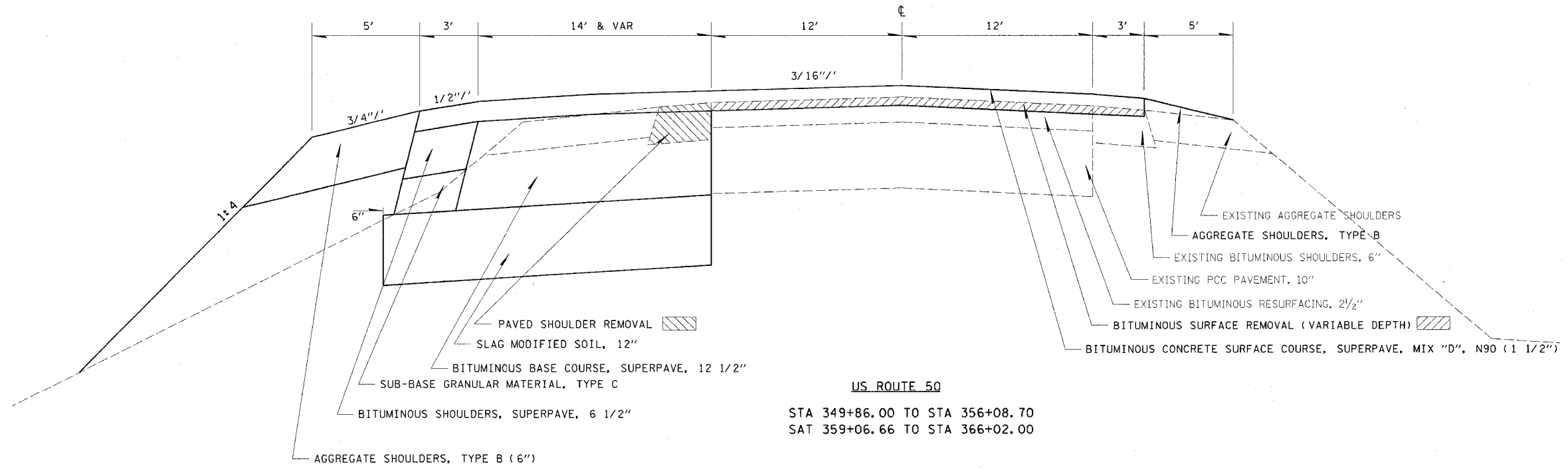


F.A.P. RTE.	SECTION	COUNTY	TOTAL SHEETS	SHEET NO.
327	(2-2N)	LAWRENCE	38	5
STA.		TO STA.		
FED. ROAD DIST. NO.		ILLINOIS FED. AID PROJECT		

teasleyok
 3/31/2005
 c:\projects\74035d\02004p.dgn
TYP 1



REVISIONS	
NAME	DATE

ILLINOIS DEPARTMENT OF TRANSPORTATION

TYPICAL SECTIONS

SCALE: VERT.
 HORIZ.
 DATE

DRAWN BY
 CHECKED BY

PLOT DATE = 3/31/2005
 PLOT SCALE = AS SHOWN
 PLOT SCALE = AS SHOWN
 REFERENCE = #REF#