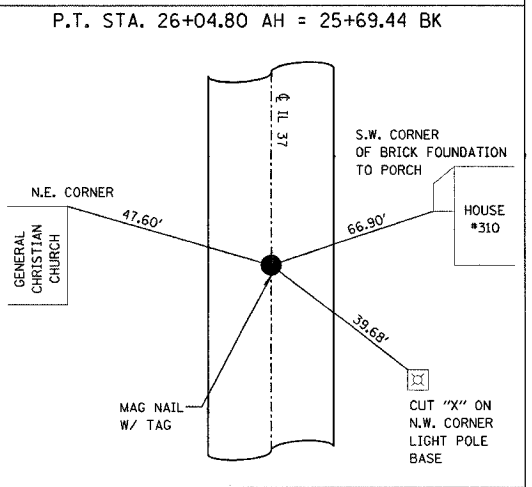
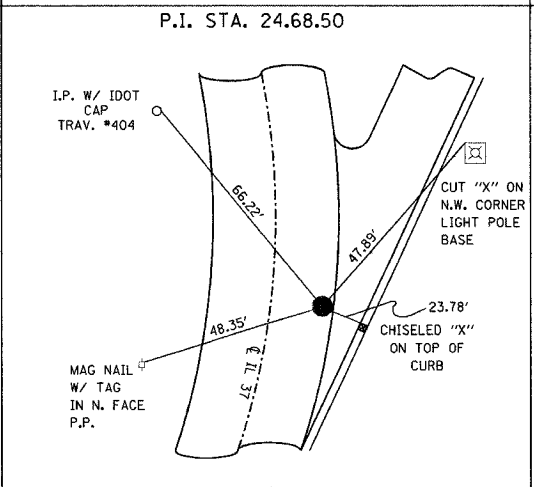
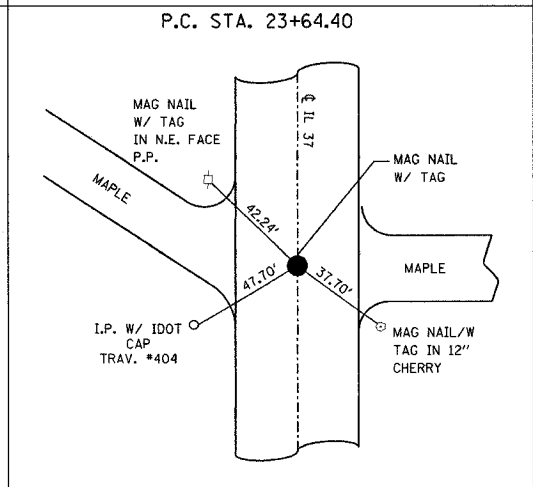
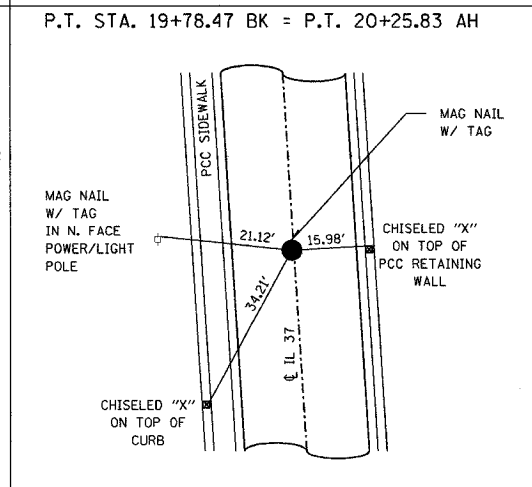
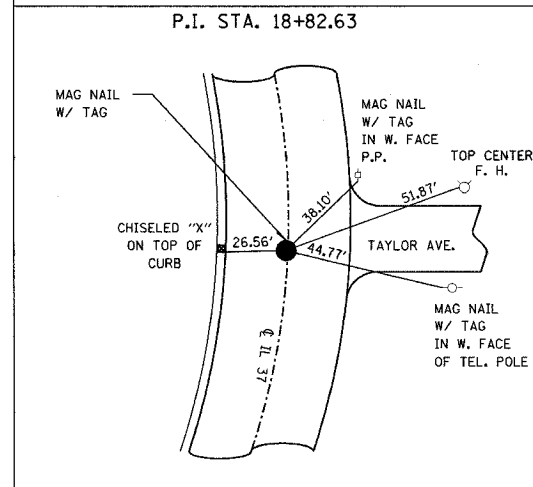
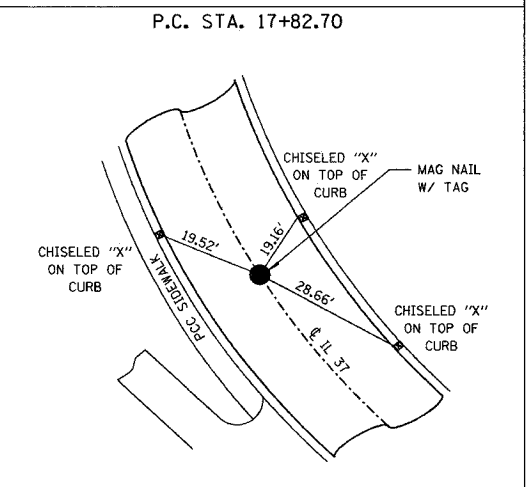
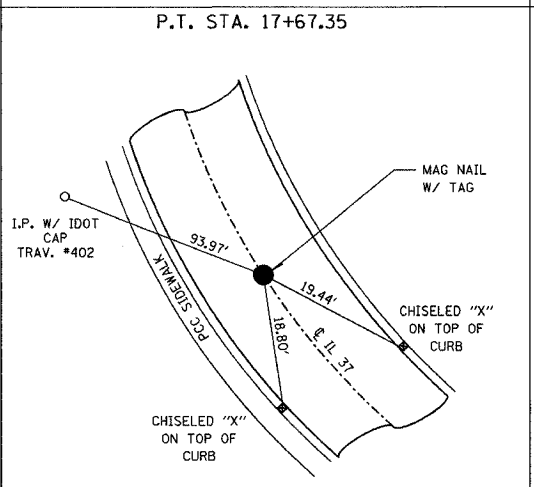
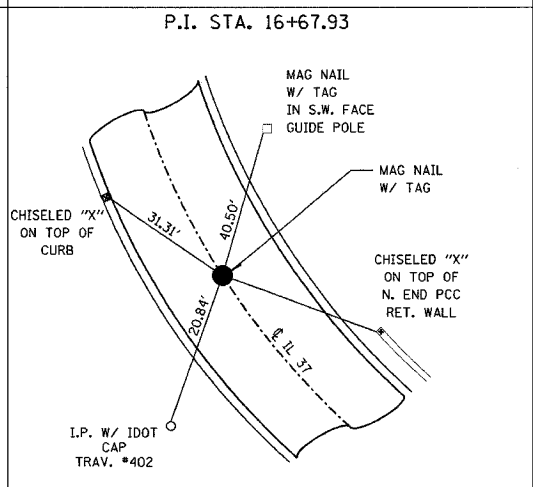
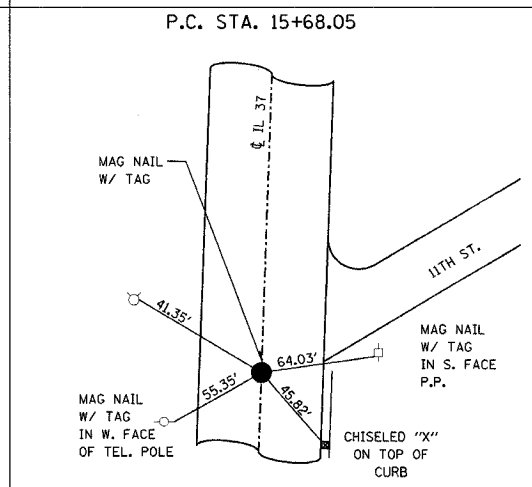
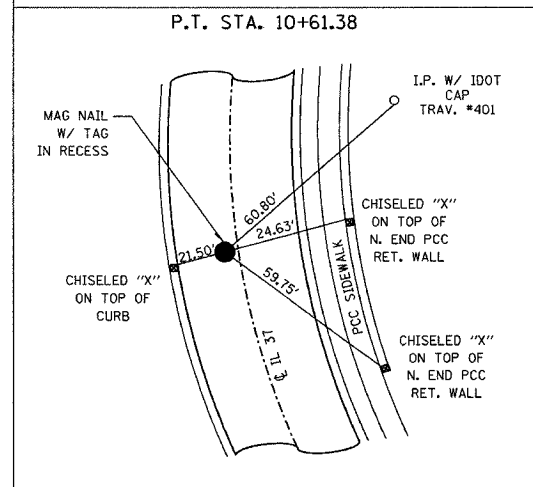
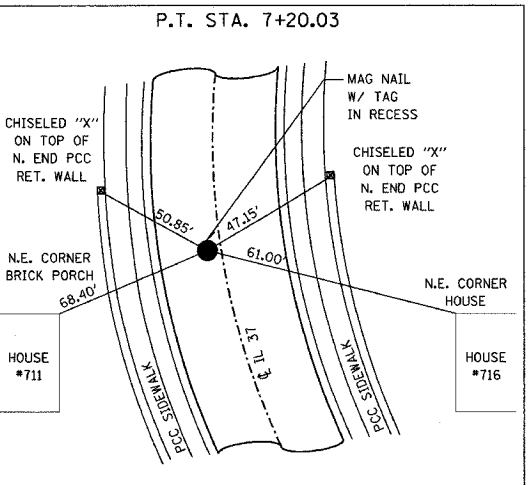
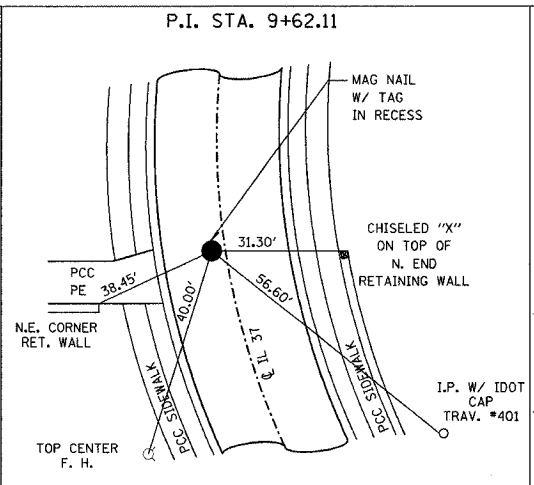
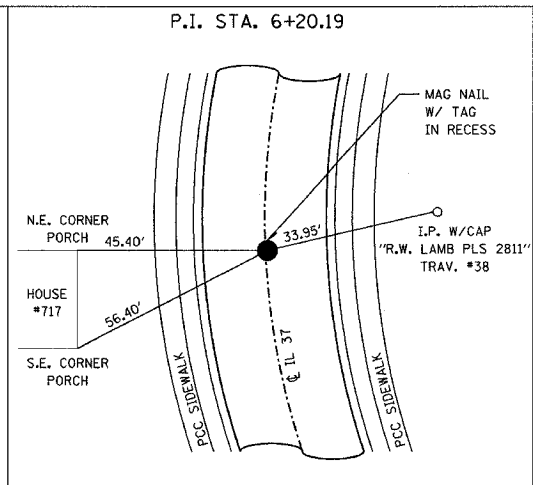
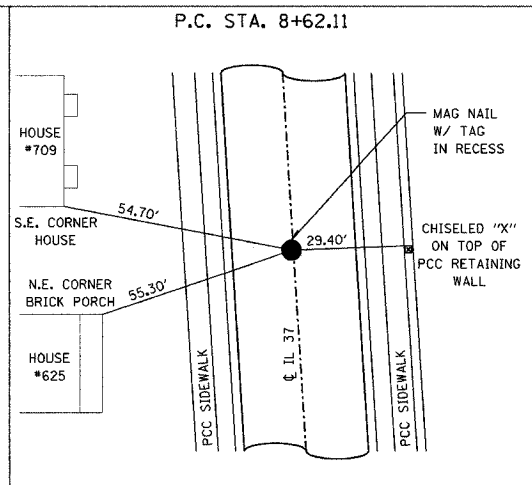
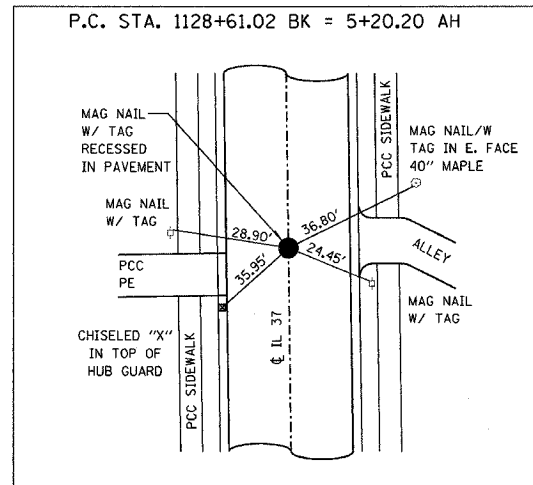


teesleyck
4/1/2005
c:\projects\74059\d03904\pa.dgn

TIES

FAS #7	SECTION 8736 (110) RS-4	COUNTY JEFFERSON	TOTAL SHEETS 7	SHEET NO. 7
FED. ROAD DIST. NO. 7		ILLINOIS	FED. AID PROJECT NO.	
CONTRACT NO. 74059				



REVISIONS	
NAME	DATE

ILLINOIS DEPARTMENT OF TRANSPORTATION

TIES

SCALE: VERT. HORIZ.
DATE: _____ DRAWN BY: _____ CHECKED BY: _____