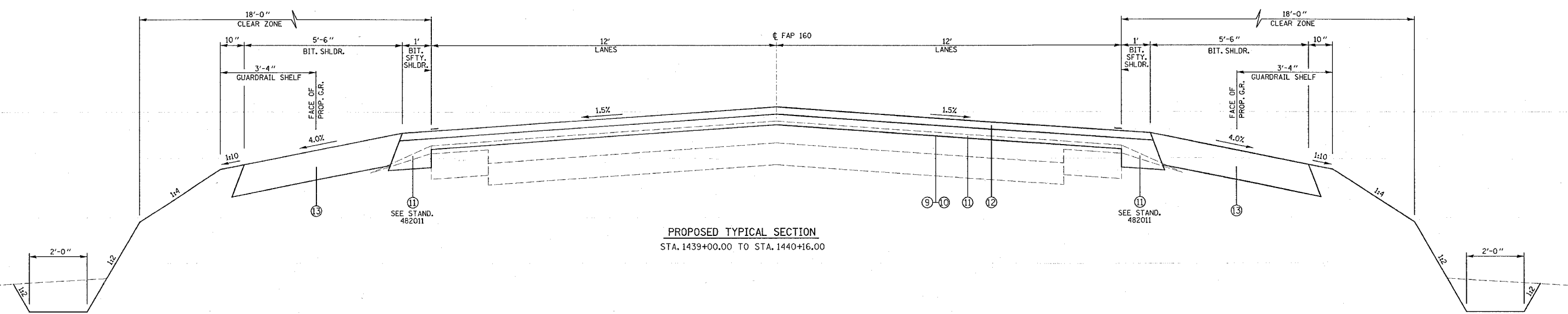
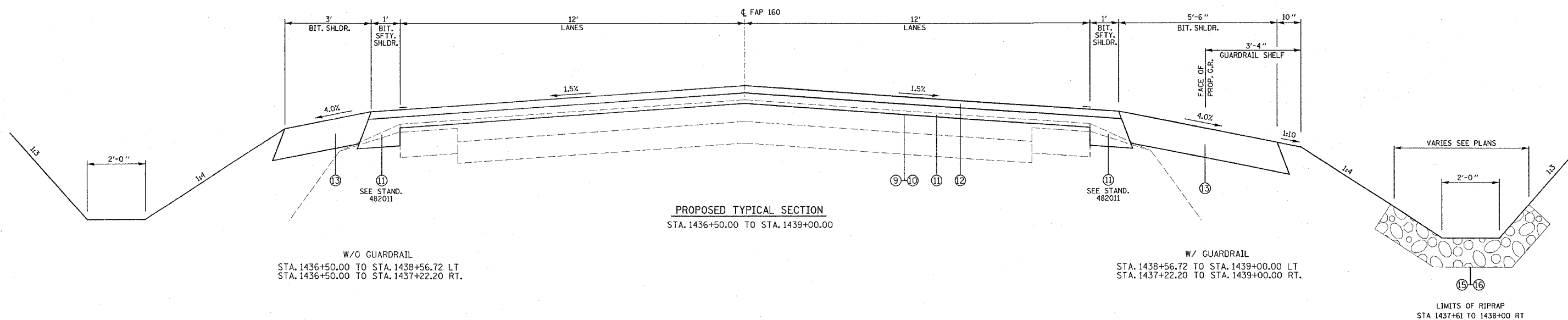


FAP ROUTE	SECTION	COUNTY	TOTAL SHEETS	SHEET NO.
692	12-1BR-1	MADISON	65	6
STA.	TO STA.			
CONTRACT NO.: 76386				

PLAN	SURVEYED	BY	DATE
	ALIGNED		
	CHECKED		
	NO. OF WAY CHECKED		
	NO.		
	NO. OF FILE NAME		



- LEGEND**
- ① EXISTING PCC PAVEMENT - 6"
 - ② EXISTING BITUMINOUS WIDENING - 7"
 - ③ EXISTING BITUMINOUS RESURFACING - 6"
 - ④ EXISTING AGGREGATE SHOULDER WEDGE
 - ⑤ EXISTING TYPE A GUTTER
 - ⑥ PROPOSED BITUMINOUS SURFACE REMOVAL - 3/4"
 - ⑦ PROPOSED GUTTER REMOVAL - (SPECIAL)
 - ⑧ PROPOSED BITUMINOUS WIDENING - 9"
 - ⑨ PROPOSED BITUMINOUS MATERIAL (PRIME COAT)
 - ⑩ PROPOSED AGGREGATE (PRIME COAT)
 - ⑪ PROPOSED BINDER COURSE - THICKNESS VARIES 1/2" TO 18 1/8"
 - ⑫ PROPOSED SURFACE COURSE - 1 1/2"
 - ⑬ PROPOSED BITUMINOUS SHOULDER - 8"
 - ⑭ PROPOSED TYPE A GUTTER
 - ⑮ PROPOSED RIPRAP CLASS A5
 - ⑯ PROPOSED FILTER FOR USE WITH RIPRAP

MIXTURE USE	SURFACE	BINDER	PATCHING	INCIDENTAL	BASE CSE	SHOULDERS	TOP LIFT SHOULDERS
AC/PC	PG 64-22	PG 64-22	PG 64-22	PG 64-22	PG 58-22	PG 58-22	PG 58-22
RAP % (MAX)	10%	15%	15%	10%	30%	30%	30%
DESIGN AIR VOIDS	4.0% @ Ndes=70	4.0% @ Ndes=70	4.0% @ Ndes=70	4.0% @ Ndes=70	2.0% @ Ndes=50	2.0% @ Ndes=30	**2.0% @ Ndes=30
MIX COMPOSITION (GRADATION MIXTURE)	IL 19.0	IL 19.0	IL 19.0	IL 19.0	BASE CSE	BAM	BAM
FRICITION AGG	MIXTURE C	MIXTURE B	MIXTURE B	MIXTURE C	BASE CSE	BAM	BAM

** DESIGN THIS MIX AT 2.0% VOIDS AND ADD ASPHALT TO REDUCE VOIDS TO 1.5%

REVISIONS	
NAME	DATE

ILLINOIS DEPARTMENT OF TRANSPORTATION
TYPICAL SECTIONS
 FAP 692
 SECTION 12-1BR-1
 MADISON COUNTY
 DRAWN BY:

PLOT DATE: Monday March 14, 2005 @ 1:32:36 PM