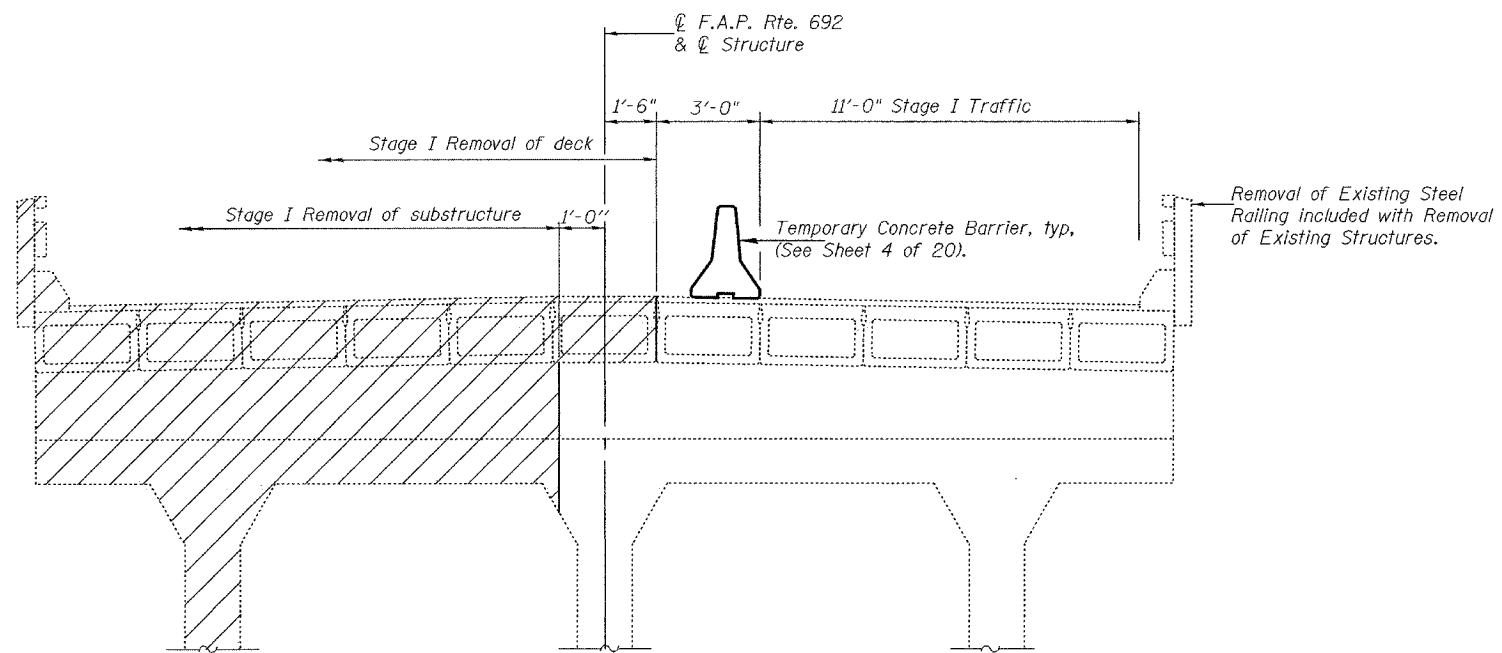


STATE OF ILLINOIS
DEPARTMENT OF TRANSPORTATION

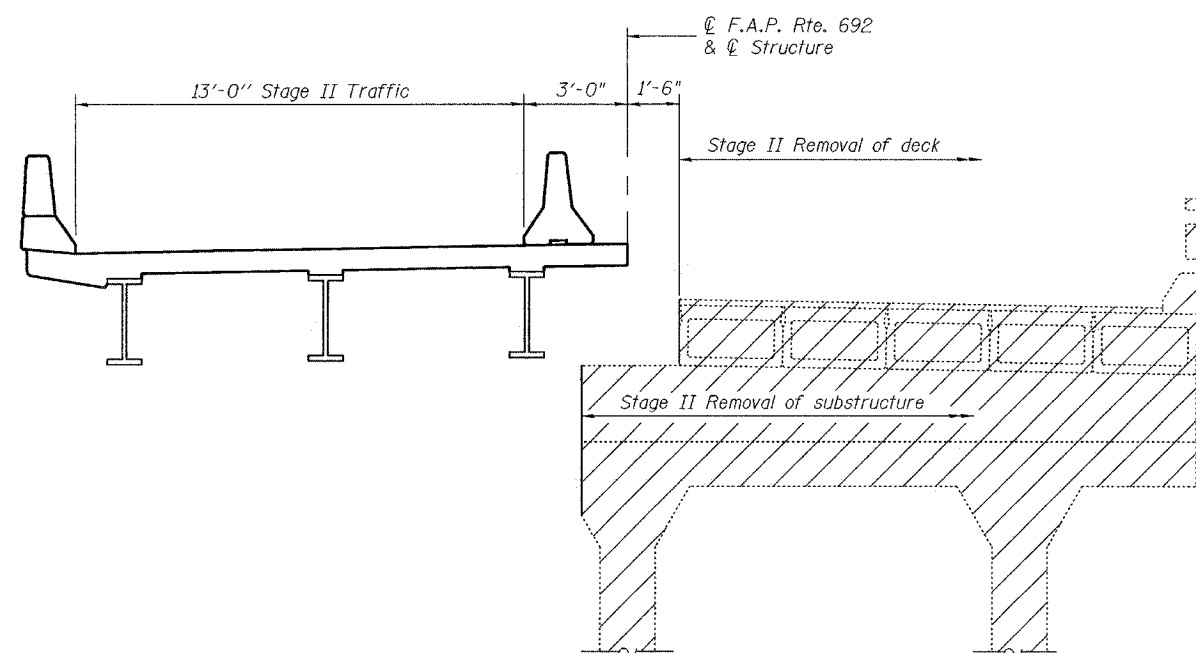
ROUTE NO.	SECTION	COUNTY	SHEETS	SHEET
F.A.P. 692	12-1BR-1	MADISON		20
FED. ROAD DIST. NO. 7	ILLINOIS	FED. AID PROJECT-		

SHEET NO. 3
20 SHEETS

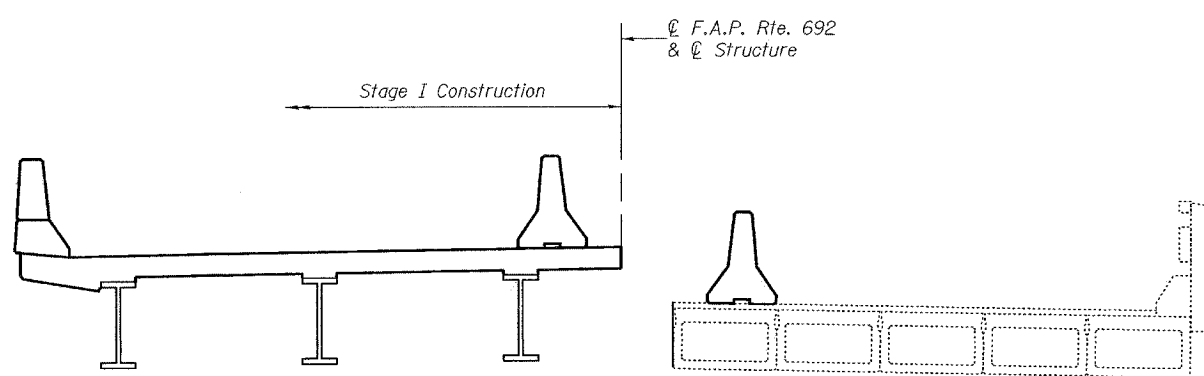
Contract #76386



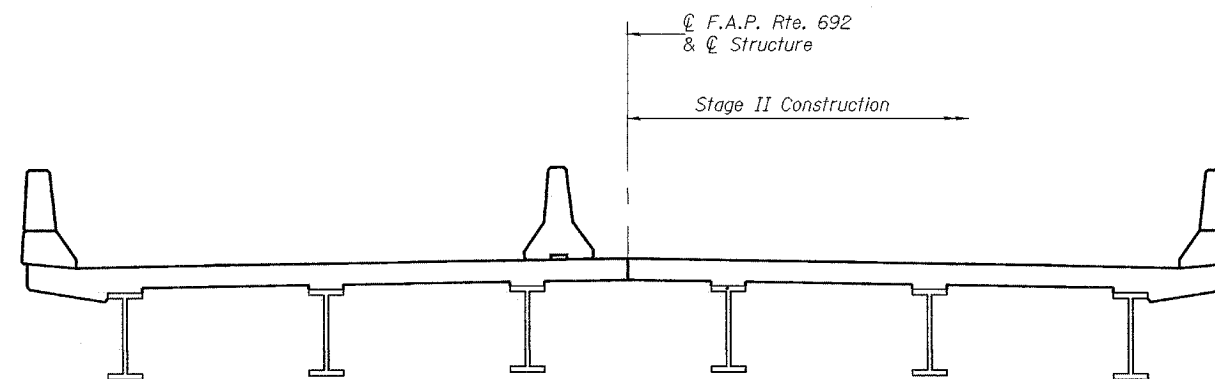
STAGE I REMOVAL



STAGE II REMOVAL



STAGE I CONSTRUCTION



STAGE II CONSTRUCTION

Notes:
All sections are looking South.
For quantity of Temporary Concrete Barrier, see roadway plans.
Hatched area indicates Removal of Existing Structures.
For details of Temporary Concrete Barrier, see sheet 4 of 20.
The existing substructure units each have three columns. Only one column and a portion of the cap shall be removed during stage I removal.

DESIGNED	T. Kurtenbach
CHECKED	Alan Johnson
DRAWN	Paul Summer
CHECKED	TLK AMJ

Apr 11 22, 2005
EXAMINED *Thomas J. Demagala*
ENGINEER OF PROFESSIONAL DESIGN
PASSED *Ralph E. Anderson*
ENGINEER OF BRIDGES AND STRUCTURES

STAGE CONSTRUCTION DETAILS
F.A.P. ROUTE 692 - SECTION 12-1BR-1
MADISON COUNTY
STATION 1440+97.5
STRUCTURE NO. 060-0335