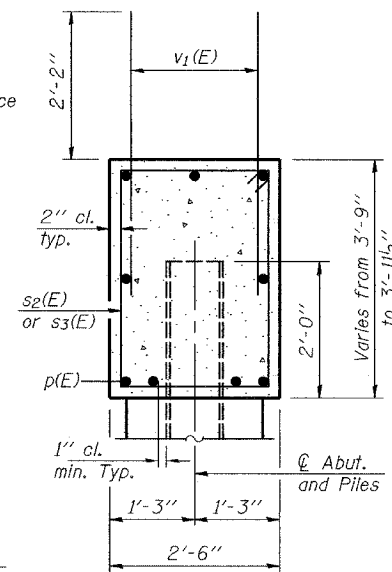
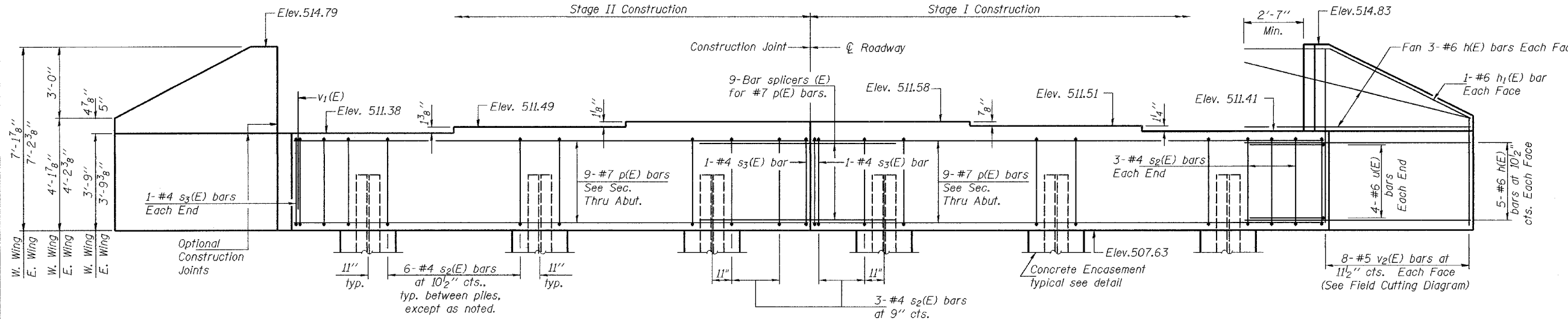


STATE OF ILLINOIS
DEPARTMENT OF TRANSPORTATION

ROUTE NO.	SECTION	COUNTY	TOTAL SHEETS	SHEET NO.
F.A.P. 692	12-1BR-1	MADISON	39	14
FED. ROAD DIST. NO. 7	ILLINOIS	FED. AID PROJECT		20 SHEETS

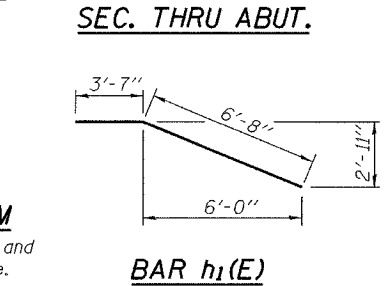
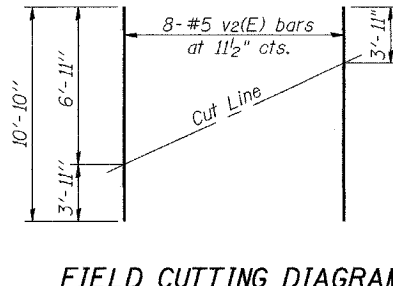
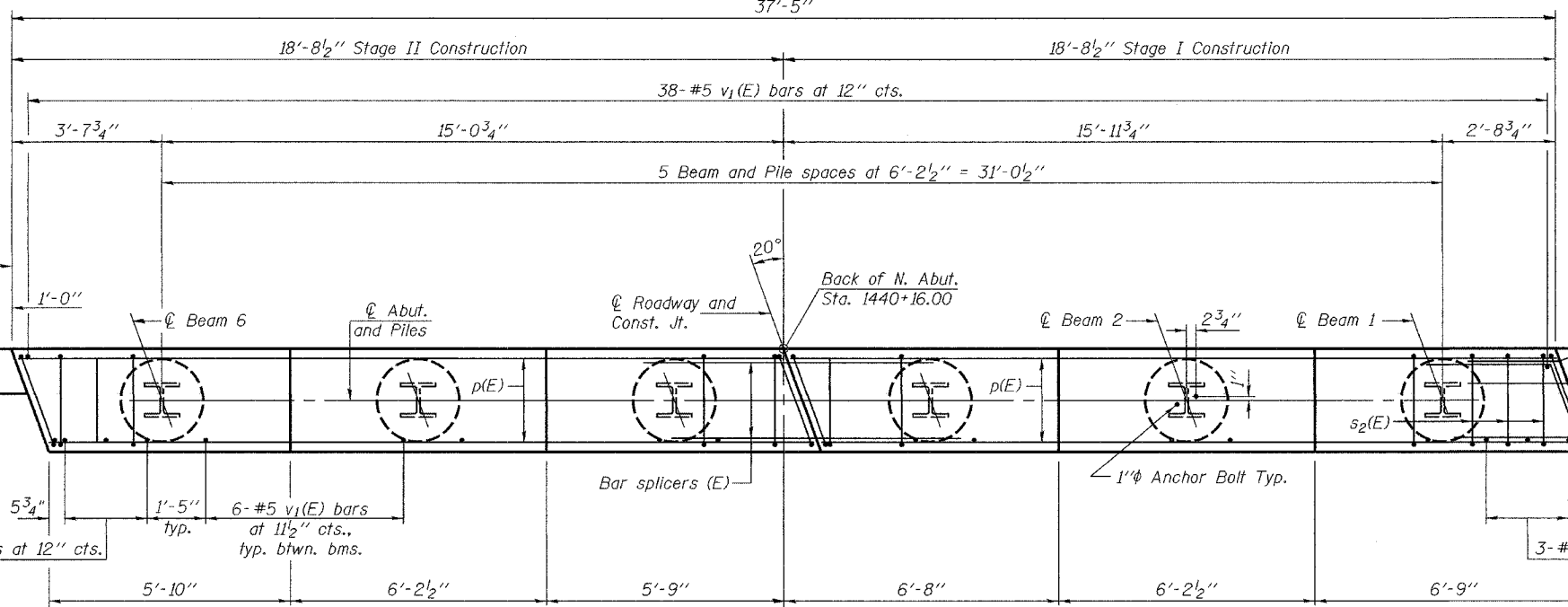
Contract #76386

Notes: Pour steps monolithically with cap.
Reinforcement bars designated (E)
shall be epoxy coated.
Space Reinforcement in cap to miss anchor bolts.
For Anchor Bolt installation details see sheet 13 of 20.
For Bar Splicer details see sheet 17 of 20.



PILE DATA

Type: HP14x89
Nominal Design Capacity: 125 Tons
Nominal Required Bearing: 705 Tons (Refusal)
Est. Length: 33'
No. Required: 5 + 1 test pile

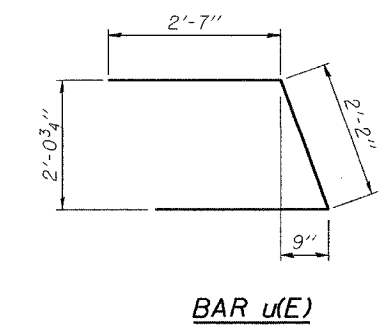
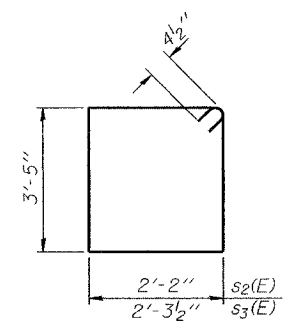
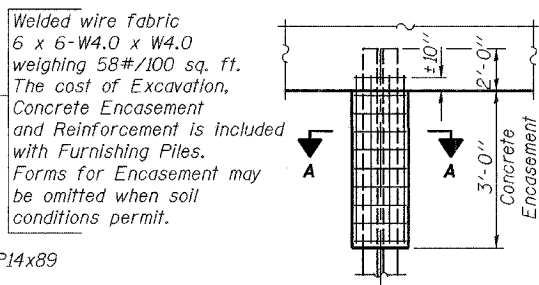
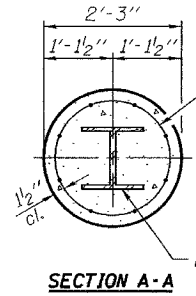


BILL OF MATERIAL

Bar	No.	Size	Length	Shape
h(E)	32	#6	9'-10"	—
h ₁ (E)	4	#6	10'-3"	—
p(E)	18	#7	18'-5"	—
s ₂ (E)	36	#4	11'-11"	□
s ₃ (E)	4	#4	12'-2"	□
u(E)	8	#6	7'-4"	∩
v ₁ (E)	74	#5	4'-4"	—
v ₂ (E)	16	#5	10'-10"	—
Concrete Structures		Cu. Yd.	16.4	
Reinforcement Bars, Epoxy Coated		Pound	2130	
Structure Excavation		Cu. Yd.	40.2	
Furnishing Steel Piles HP 14x89		Foot	165	
Driving Steel Piles		Foot	165	
Test Pile Steel HP14x89		Each	1	

DESIGNED	T. Kurtenbach
CHECKED	Alan Johnson
DRAWN	Paul Summer
CHECKED	TLK AMJ

APPROVED	Apr 11 22, 2005
EXAMINED	Thomas J. Damagala
PASSED	Ralph E. Anderson



NORTH ABUTMENT
F.A.P. ROUTE 692 - SECTION 12-1BR-1
MADISON COUNTY
STATION 1440+97.5
STRUCTURE NO. 060-0335