

STATE OF ILLINOIS
DEPARTMENT OF TRANSPORTATION

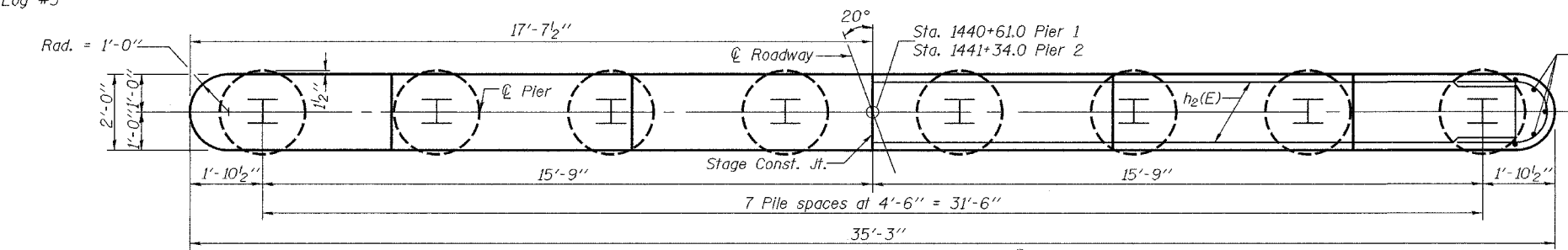
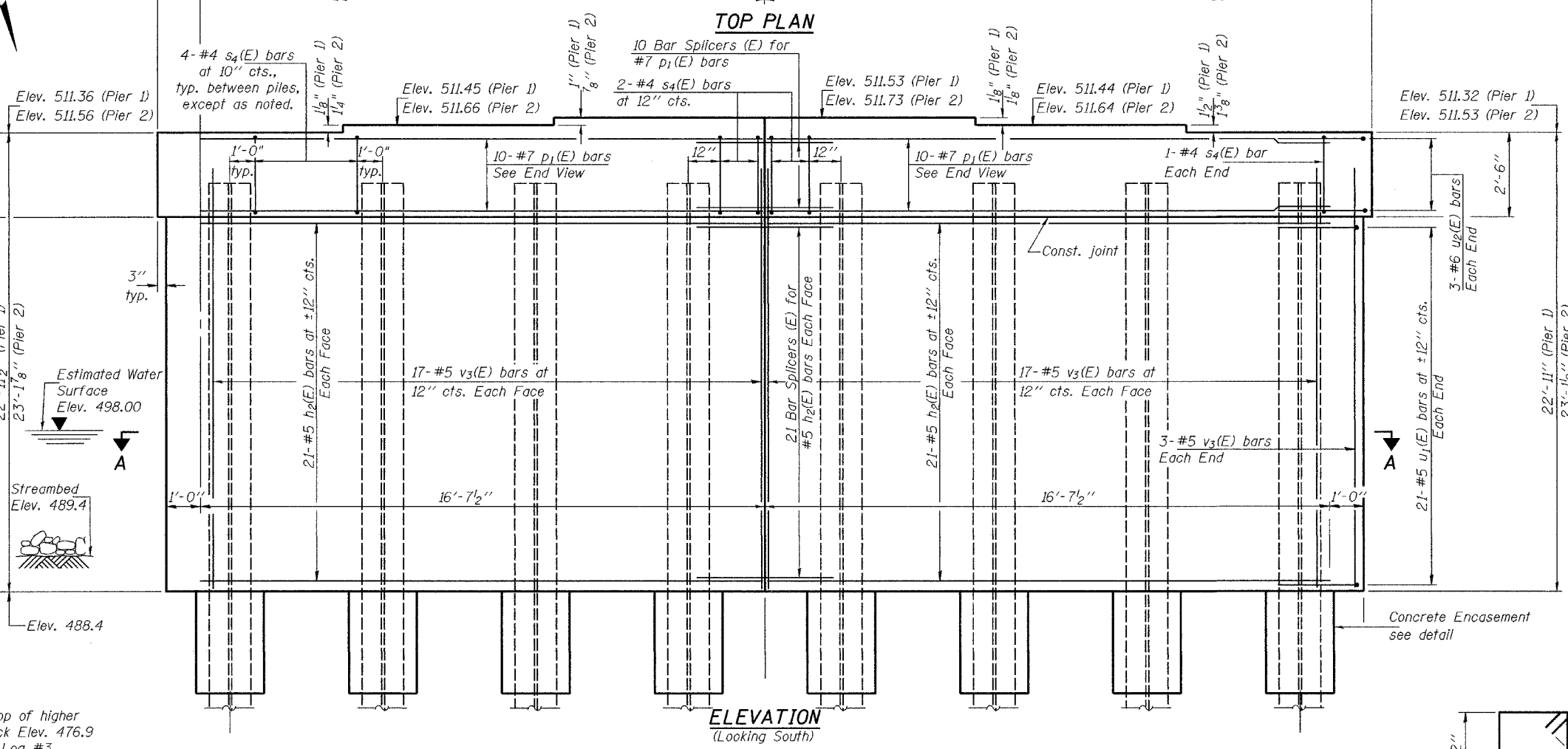
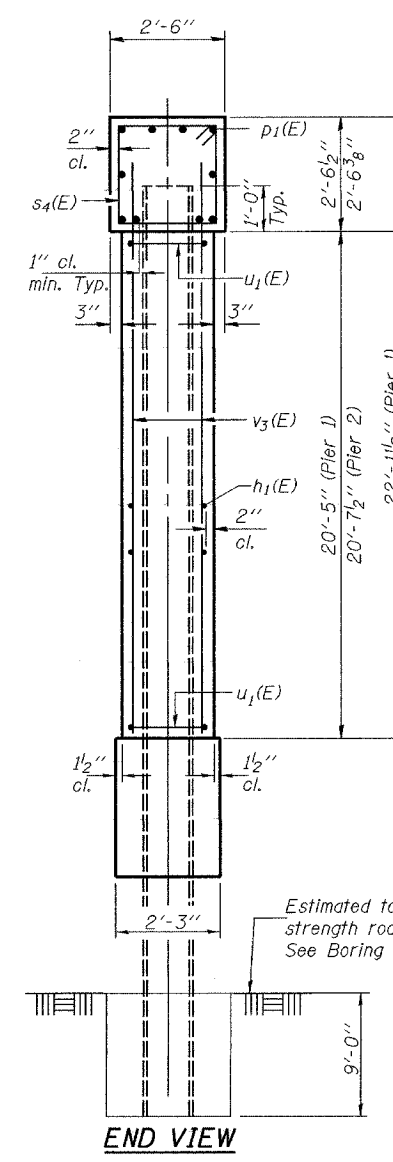
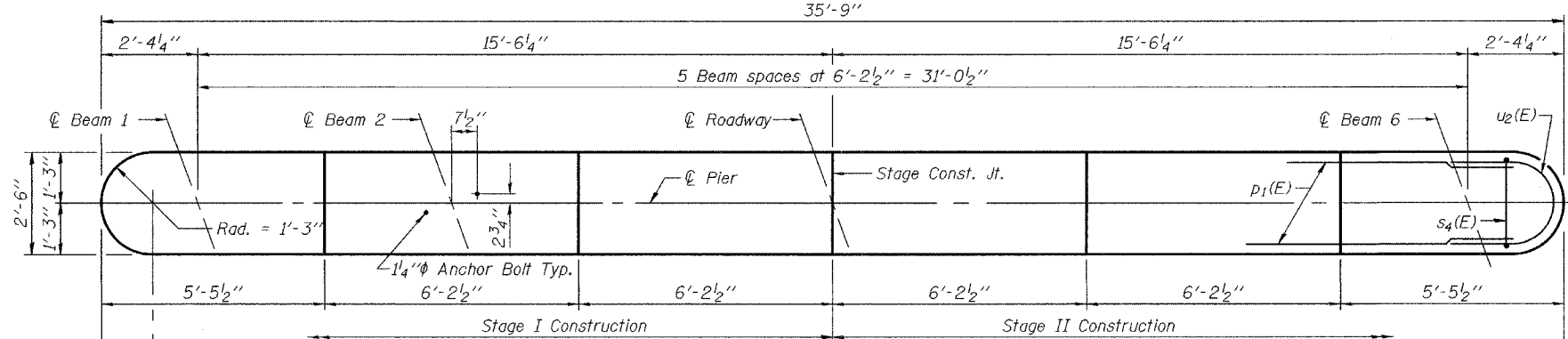
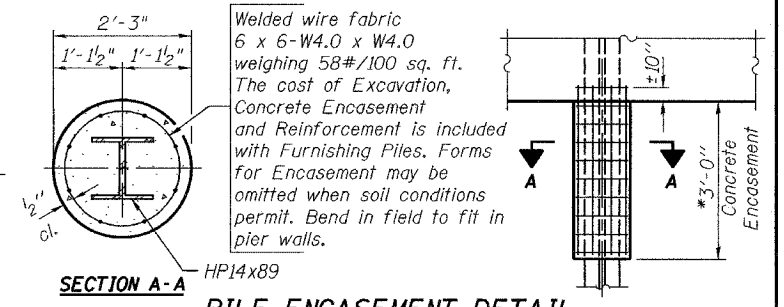
ROUTE NO.	SECTION	COUNTY	TOTAL SHEETS	SHEET NO.
F.A.P. 692	12-IBR-1	MADISON	41	16
FED. ROAD DIST. NO. 7	ILLINOIS	FED. AID PROJECT		20 SHEETS

Contract #76386

Notes: Pour steps monolithically with cap.
Space Reinforcement in cap to miss anchor bolts.
For Anchor Bolt installation details see sheet 13 of 20.
For Bar Splicer details see sheet 17 of 20.

PILE DATA

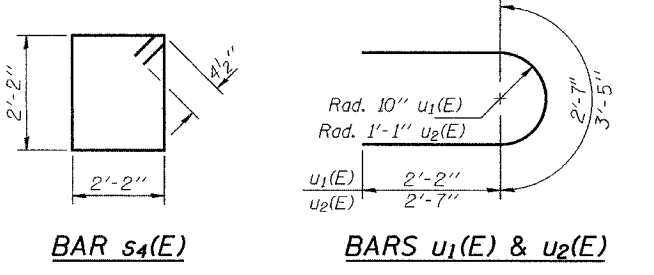
Type: HP14x89
Nominal Design Capacity: 190 Tons
Nominal Required Bearing: Set into Rock
Est. Length: 47'
No. Req'd: 16



**PIERS 1 & 2
BILL OF MATERIAL**

Bar No.	Size	Length	Shape	
h ₂ (E)	168	#5	16'-6"	—
p ₁ (E)	40	#7	16'-6"	—
s ₄ (E)	60	#4	9'-5"	□
u ₁ (E)	84	#5	6'-11"	U
u ₂ (E)	12	#6	8'-7"	U
v ₃ (E)	148	#5	21'-9"	—
Concrete Structures			Cu. Yd.	157.1
Reinforcement Bars, Epoxy Coated			Pound	8740
Structure Excavation			Cu. Yd.	20.2
Furnishing Steel Piles HP 14x89			Foot	752
Underwater Structure Excavation Protection Location 1			Each	1
Underwater Structure Excavation Protection Location 2			Each	1
Setting Piles in Rock			Each	16

Reinforcement Bars designated (E) shall be epoxy coated.



PIERS 1 & 2
F.A.P. ROUTE 692 - SECTION 12-IBR-1
MADISON COUNTY
STATION 1440+97.5
STRUCTURE NO. 060-0335

DESIGNED	T. Kurtenbach
CHECKED	Alan Johnson
DRAWN	Paul Summer
CHECKED	TLK AMJ
EXAMINED	Thomas J. Domagalaki
PASSED	Ronald E. Anderson

April 22, 2005
ENGINEER OF BRIDGES AND STRUCTURES

*Forms shall be placed below Elevation 488.4 after excavation for Pier walls. Reinforcement and Concrete Encasement shall be poured underwater into forms. The cost of Concrete Encasement, Reinforcement, form excavation and furnishing and placing forms is included with Furnishing Piles. If a portion of the pier wall is under water, concrete shall be trimmed under water into forms according to Article 503.08 of the Standard Specifications. Concrete shall be trimmed to an Elevation 1'-0" above the water level at the time of Construction.

SECTION A-A