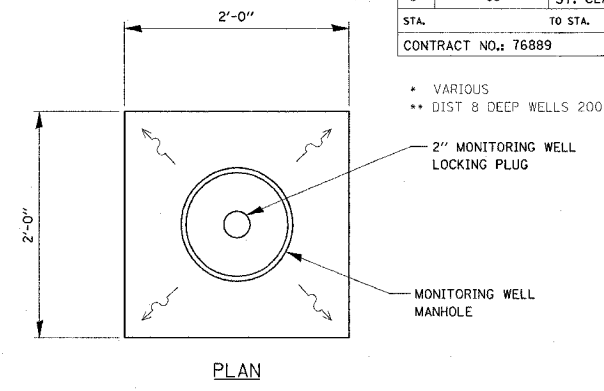
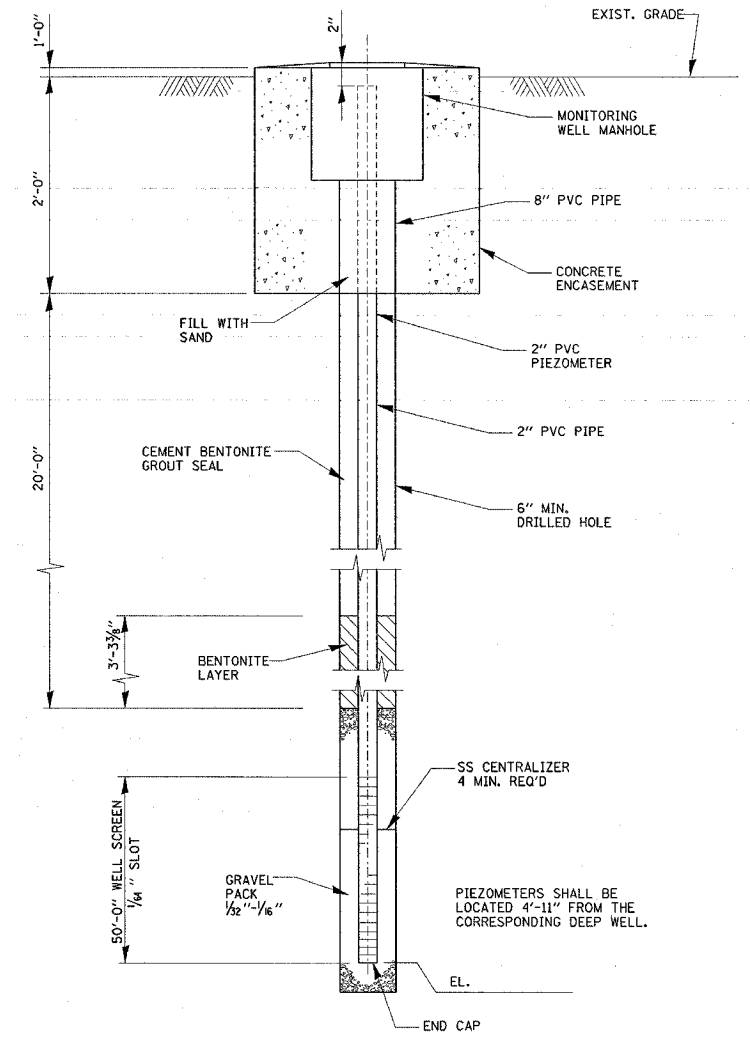


FAP ROUTE	SECTION	COUNTY	TOTAL SHEETS	SHEET NO
**	**	ST. CLAIR	8	6
STA. TO STA.		CONTRACT NO.: 76889		

* VARIOUS
** DIST 8 DEEP WELLS 2005-2



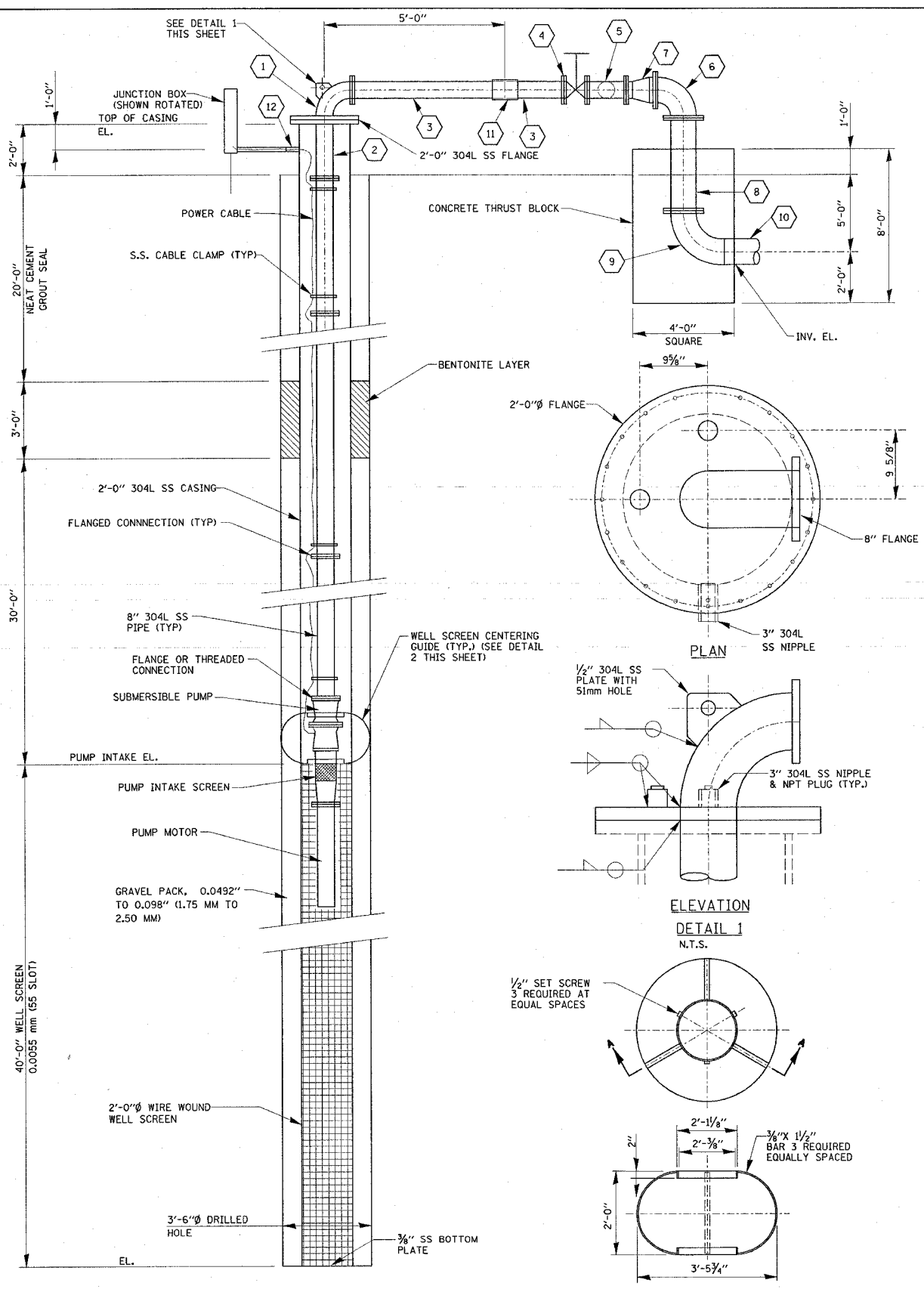
PLAN



PROFILE
DETAIL OF NEW PIEZOMETER
N.T.S.

- LEGEND**
- 1 8" 304 L SS 90° ELBOW W/2'-0" FLANGE AND 8" FLANGE
 - 2 8" 304 L SS PIPE FLANGE x PE. WELD PE TO 2'-0" FLANGE FOR ITEM 1
 - 3 8" 304 L SS PIPE, FLANGE x PE
 - 4 8" KNIFE GATE VALVE.
 - 5 8" 304 L SS TEE, FLANGE
 - 6 1'-0" 304 L SS 90° ELBOW FLANGED.
 - 7 8"X1'-0" 304 L SS REDUCER, FLANGED
 - 8 1'-0" 304 L SS PIPE, FLANGED
 - 9 1'-0" SDR 17 HDPE 90° ELBOW, FLANGE x PE
 - 10 1'-0" SDR 17 HDPE PIPE
 - 11 SS COUPLING, 8"X1'-0 1/2"
 - 12 3" 304 L SS NIPPLE, WELD TO CASING (SHOWN ROTATED) ORIENT PER ELECTRICAL DRAWINGS.

NOTE:
ALL NUTS, BOLTS & WASHERS SHALL BE 304 STAINLESS STEEL.



SECTION THRU WELL NO.4
N.T.S.

SECTION A-A
DETAIL 2
N.T.S.

WELL SCREEN CENTERING GUIDE

DATE	BY
DATE	BY
DATE	BY

DATE: 3/31/2005
BY: J. H. ...
CHECKED: ...
APPROVED: ...

ILLINOIS DEPARTMENT OF TRANSPORTATION
TYPICAL WELL DETAILS
VARIOUS ROUTES
SECTION DIST 8 DEEP WELLS 2005-2
ST. CLAIR COUNTY

REVISIONS	
NAME	DATE

DRAWN BY:

PLOT DATE: 3/31/2005