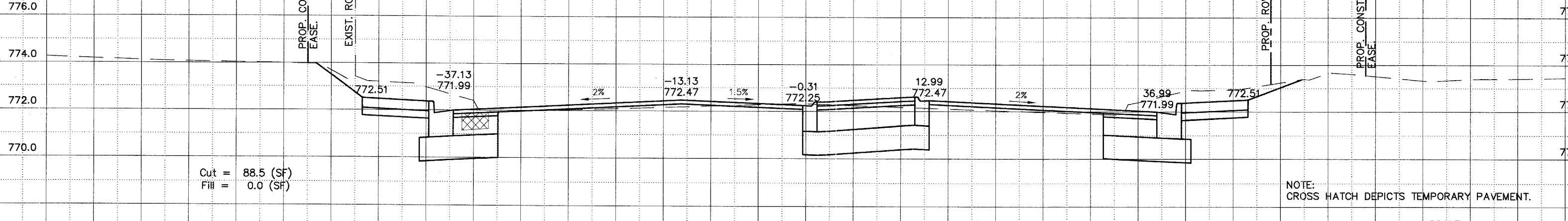
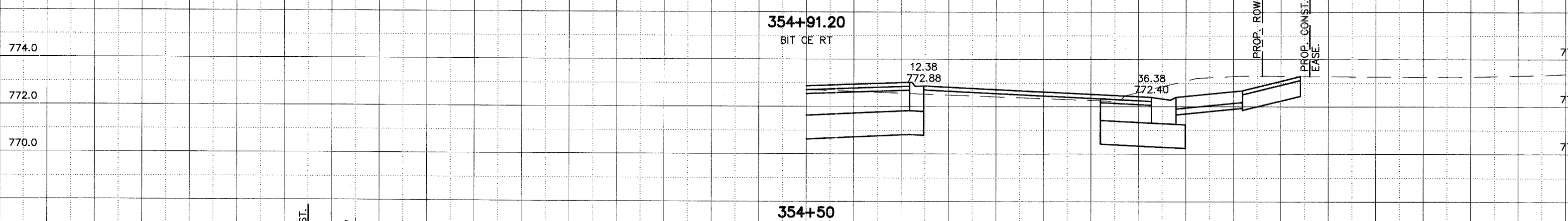
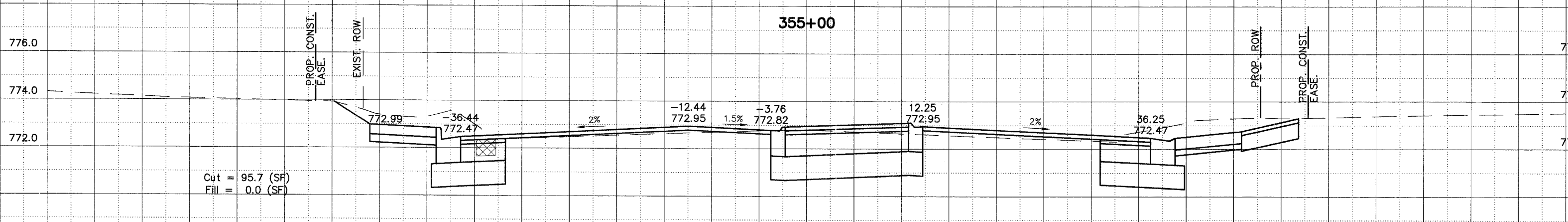
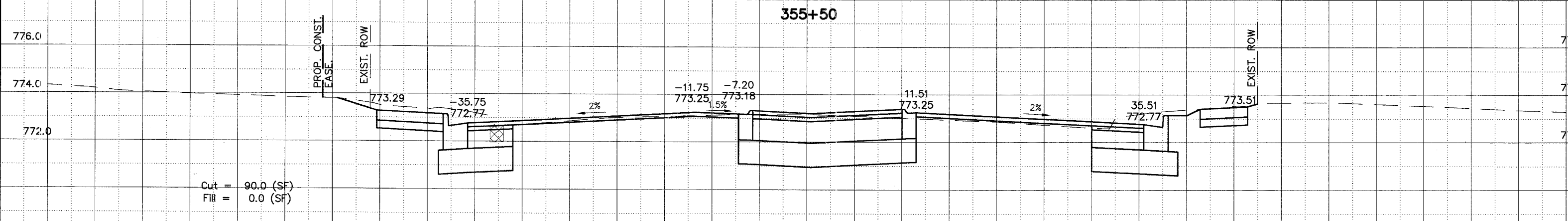


F.A.P. ROUTE	COUNTY	SECTION	COUNTY	TOTAL SHEETS
336	KANE	00-0243-00-PV	268	2
CONTRACT NO.		83782		
CROSS SECTION STA. 354+50 TO STA. 355+50				
F.H.W.A. REG. 5 ILLINOIS PROJECT F-0336(0)				



NOTE: CROSS HATCH DEPICTS TEMPORARY PAVEMENT.

ILLINOIS ROUTE 64

SCALE:  
1" = 5' HORIZ.  
1" = 2' VERT.