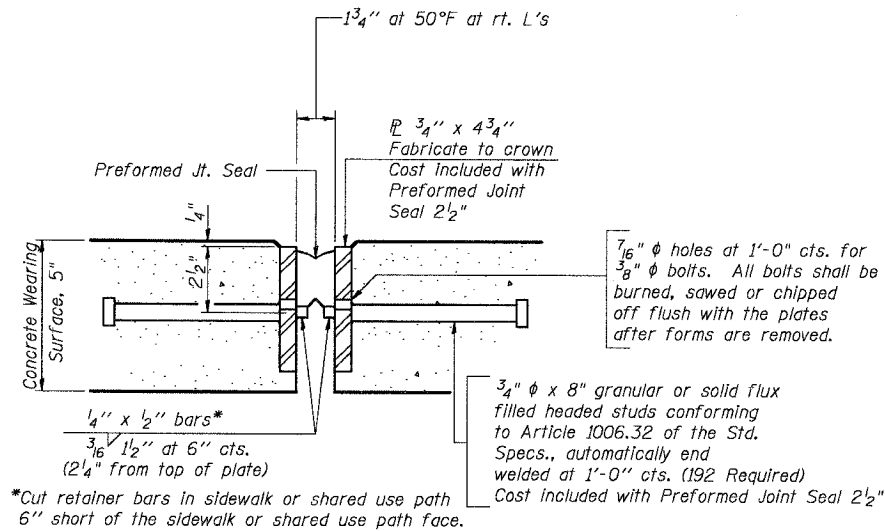


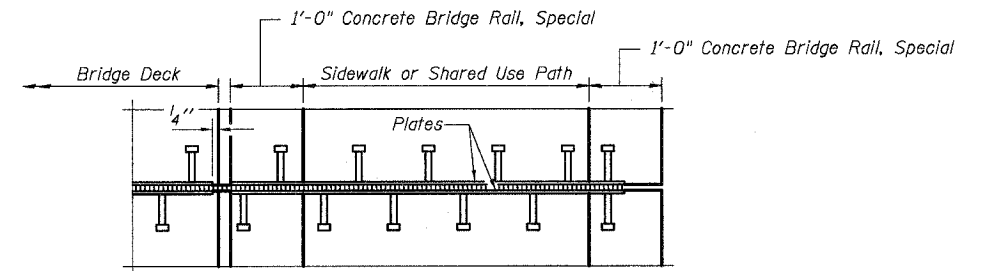
GENERAL NOTES

Furnish steel plates in segments of 20 feet maximum length. Maximum space between installed segments shall be 3/16". Seal space with silicone sealant suitable for structural steel.

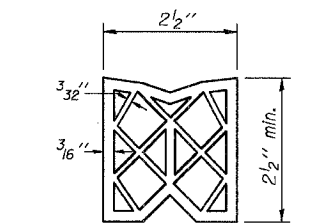
Bridge Joint System (Expansion)		
Design Movement	Required Preformed Joint Seal Size	Required Strip Seal Rated movement
1"	2 1/2"	1"



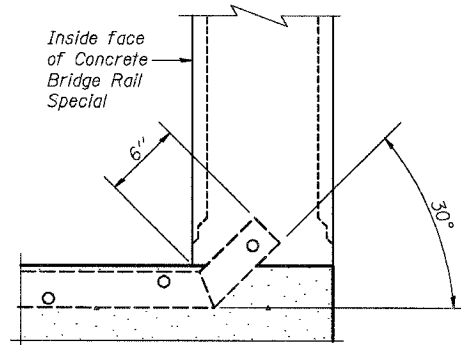
SECTION THRU EXPANSION JOINT



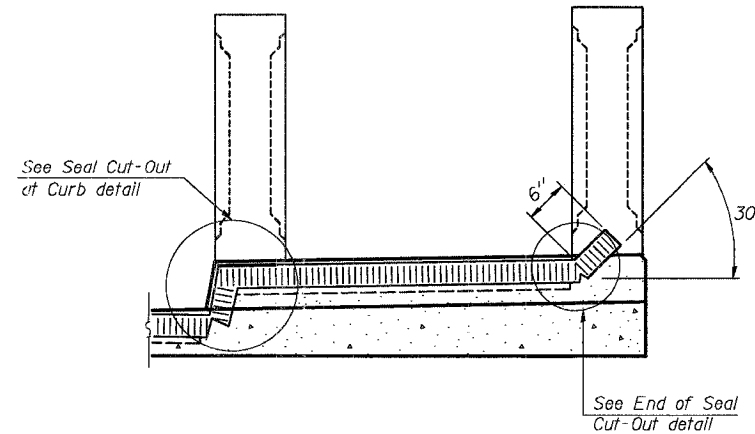
PLAN AT SIDEWALK OR SHARED USE PATH



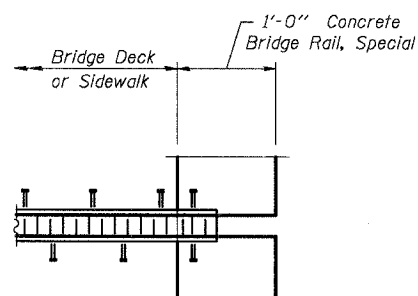
PREFORMED JOINT SEAL



AT CURB, PARAPET, OR WALL
(Showing plate)

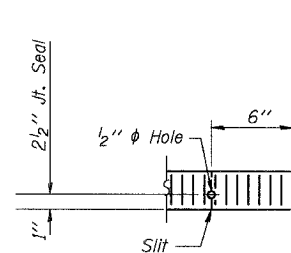


AT SIDEWALK OR SHARED USE PATH
(Showing plate and seal)

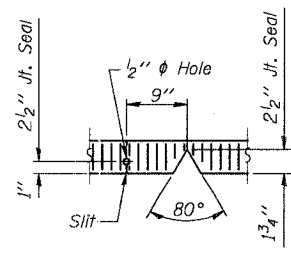


PLAN AT PARAPET

TYPICAL END TREATMENTS



END OF SEAL CUT-OUT



SEAL CUT-OUT AT CURB

BILL OF MATERIAL

Item	Unit	Total
Preformed Joint Seal 2 1/2"	Foot	96

**BRIDGE JOINT SYSTEM - EXPANSION
(PREFORMED JOINT SEAL)**

DESIGNED	KMA
CHECKED	RGD
DRAWN	WJH
CHECKED	NRF

SMITH ENGINEERING
CONSULTANTS, INC.
CIVIL, ARCHITECTURAL ENGINEERS
AND SURVEYORS

REVISIONS	
NAME	DATE

ILLINOIS DEPARTMENT OF TRANSPORTATION

Deck Joint Details
Main Street Over Fox River
"Public Waters"
Village of Carpentersville
Section 02-00059-00-BR
SN. 045-6150
Kane County

DATE 02-25-2005