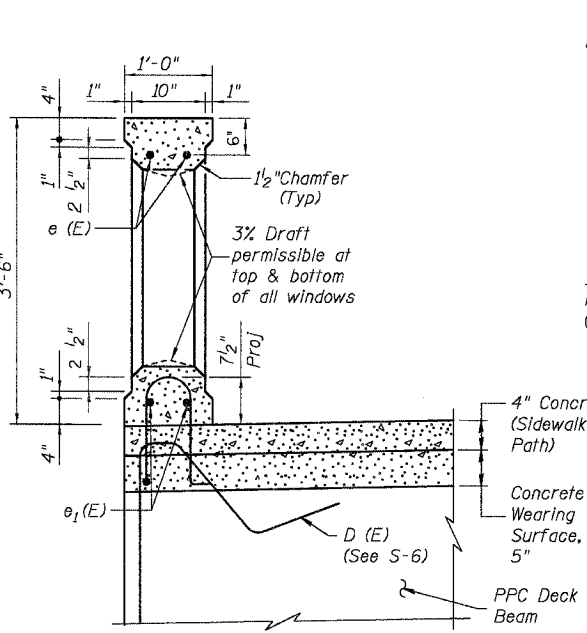


**MEDIUM PILASTER ELEVATION**

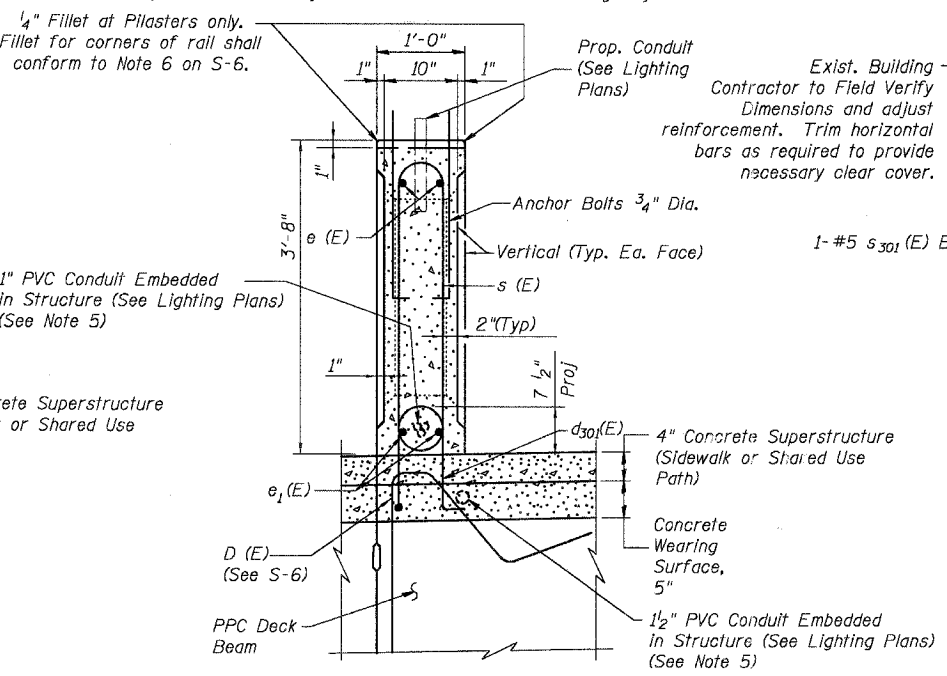
**LARGE PILASTER ELEVATION PIERS 1 & 3**

**LARGE PILASTER ELEVATION PIER 2**

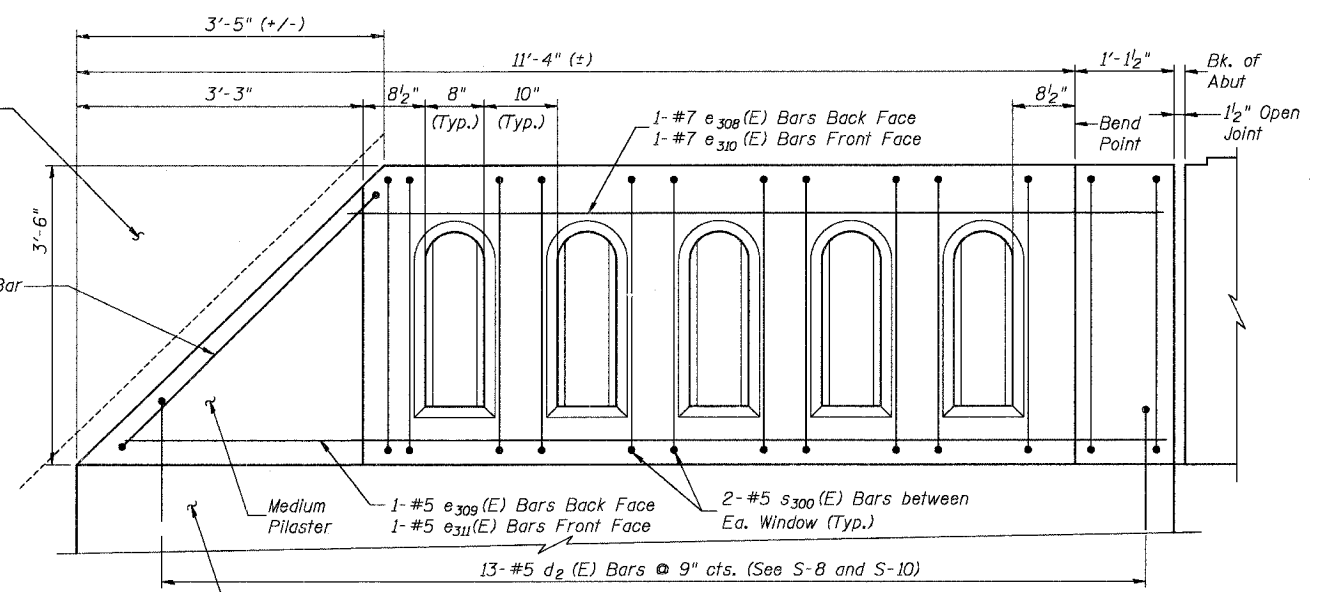
**SMALL PILASTER ELEVATION**



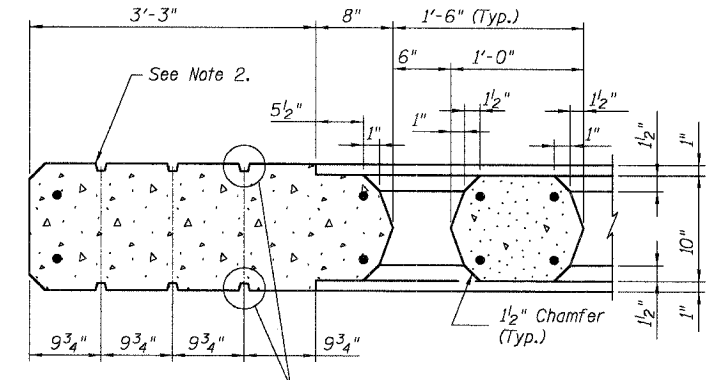
**SECTION THRU WINDOW**



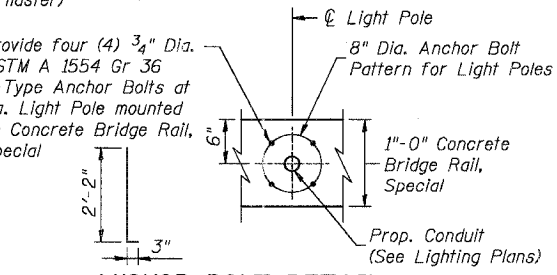
**SECTION THRU PILASTER**



**NORTHWEST ELEVATION**



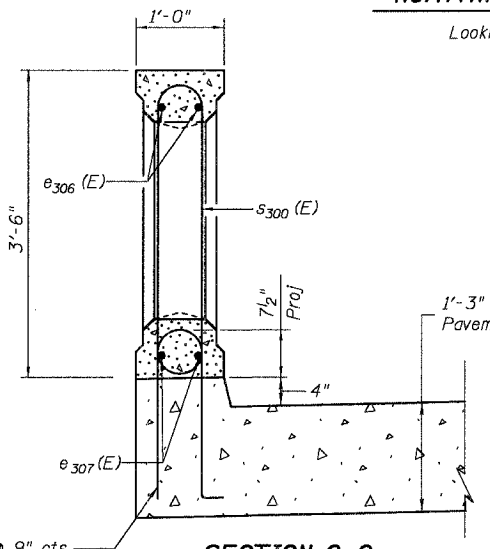
**SECTION E-E**



**ANCHOR BOLT DETAIL**



**SECTION F-F**



**SECTION G-G**

**NOTES**

- Form top of reveal 2" from bottom of Name Plate on Pilaster with Name Plate only. Reveal shall stop 4" from top on pilasters without name plates as shown in Large Pilaster Elevation.
- Reveals as detailed in Section F-F shall be placed on both sides of medium and large pilasters.
- Coordinate this sheet with Lighting Plans and Details
- Furnishing and installing Anchor Bolts for Light Poles to be mounted on the Concrete Bridge Rail shall be included in the cost of Concrete Bridge Rail, Special.
- Conduit Embedded in Structure 1" PVC (520 LF +/-) and Conduit Embedded in Structure 1 1/2" PVC (610 LF +/-) shall be included in the cost for Concrete Bridge Rail, Special. This conduit shall be furnished and installed in accordance with Section 812 of the Standard Specifications.

SMITH ENGINEERING CONSULTANTS, INC.  
CIVIL, STRUCTURAL, ELECTRICAL AND SURVEYORS

ILLINOIS DEPARTMENT OF TRANSPORTATION  
Concrete Bridge Rail, Special - Details  
Main Street Over Fox River  
"Public Waters"  
Village of Carpentersville  
Section 02-00059-00-BR  
SN. 045-6150  
Kane County  
DATE 02-25-2005

DESIGNED	KMA
CHECKED	RGD
DRAWN	WJH
CHECKED	NRF