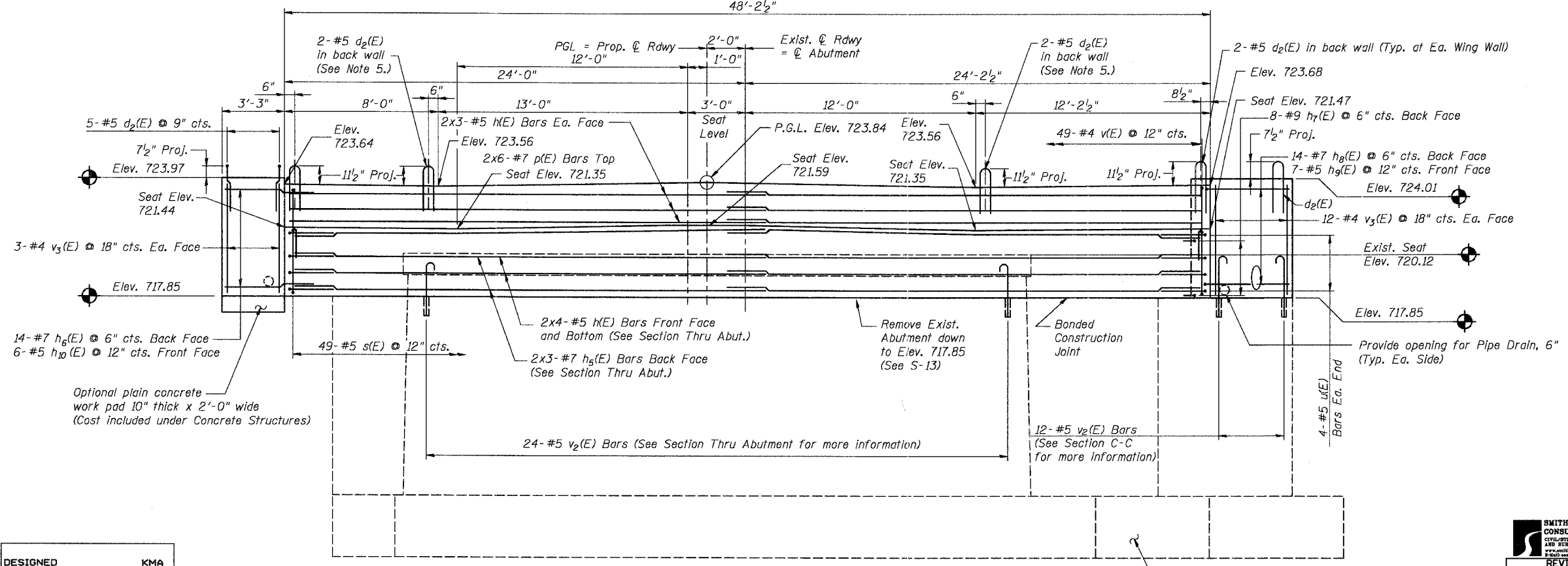
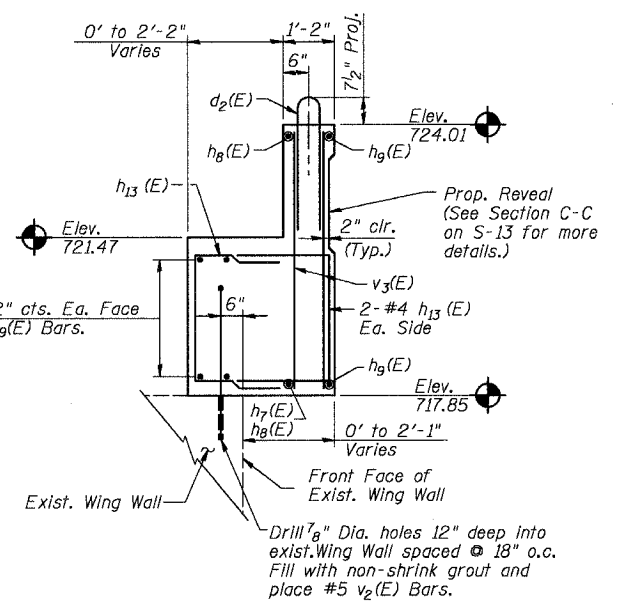
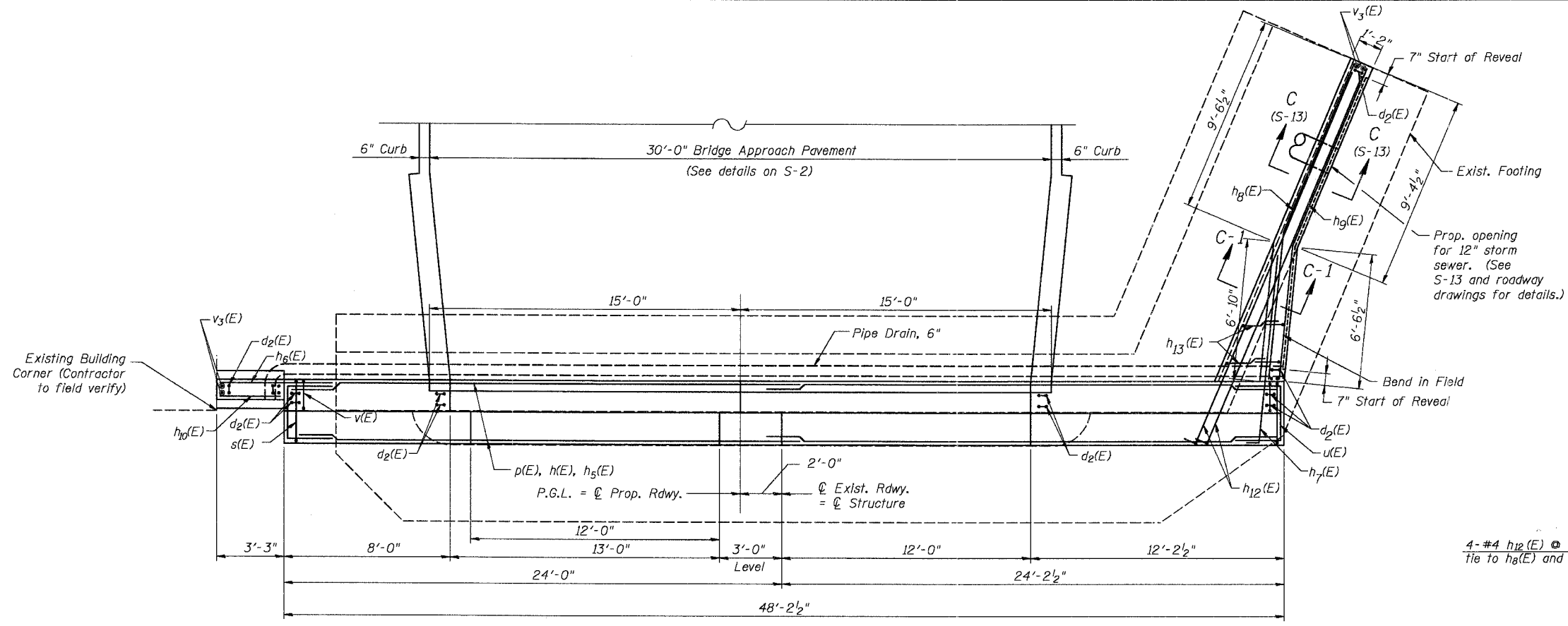


GENERAL NOTES

1. Removal of existing concrete shall conform to Article 501.03 of the Standard Specifications.
2. Space reinforcement in abutment seat to miss anchor bolts.
3. Contractor to field verify dimensions of existing wing wall.
4. See S-12 for Section Thru Abutment
5. Coordinate placement of $d_2(E)$ Bars with Concrete Bridge Rail. Special details on sheets S-7, S-8, and S-9.



DESIGNED	KMA
CHECKED	RGD
DRAWN	WJH
CHECKED	NRF

SMITH ENGINEERING CONSULTANTS, INC.	
CITY OF CHICAGO	
ILLINOIS DEPARTMENT OF TRANSPORTATION	
REVISIONS	
NAME	DATE

ILLINOIS DEPARTMENT OF TRANSPORTATION

East Abutment Plan and Elevation
Main Street Over Fox River
"Public Waters"
Village of Carpentersville
Section 02-00059-00-BR
SN. 045-6150
Kane County

DATE 02-25-2005