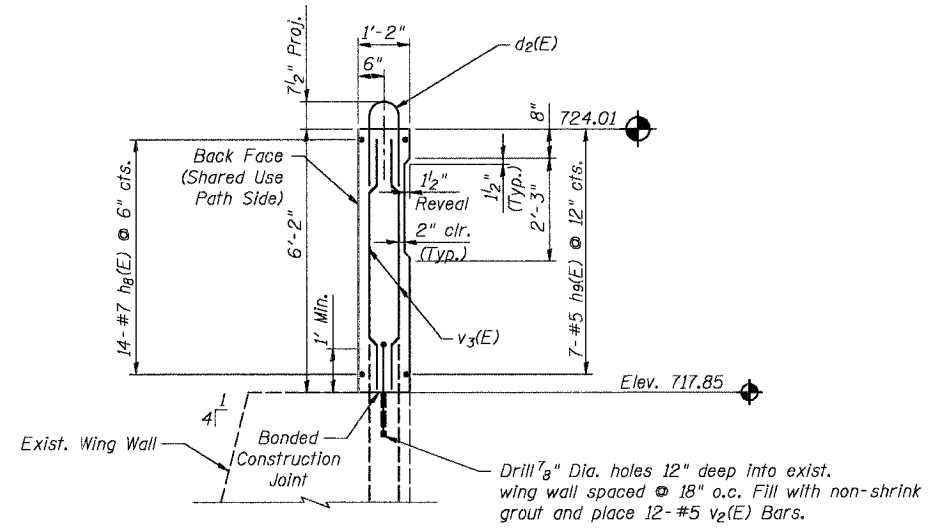
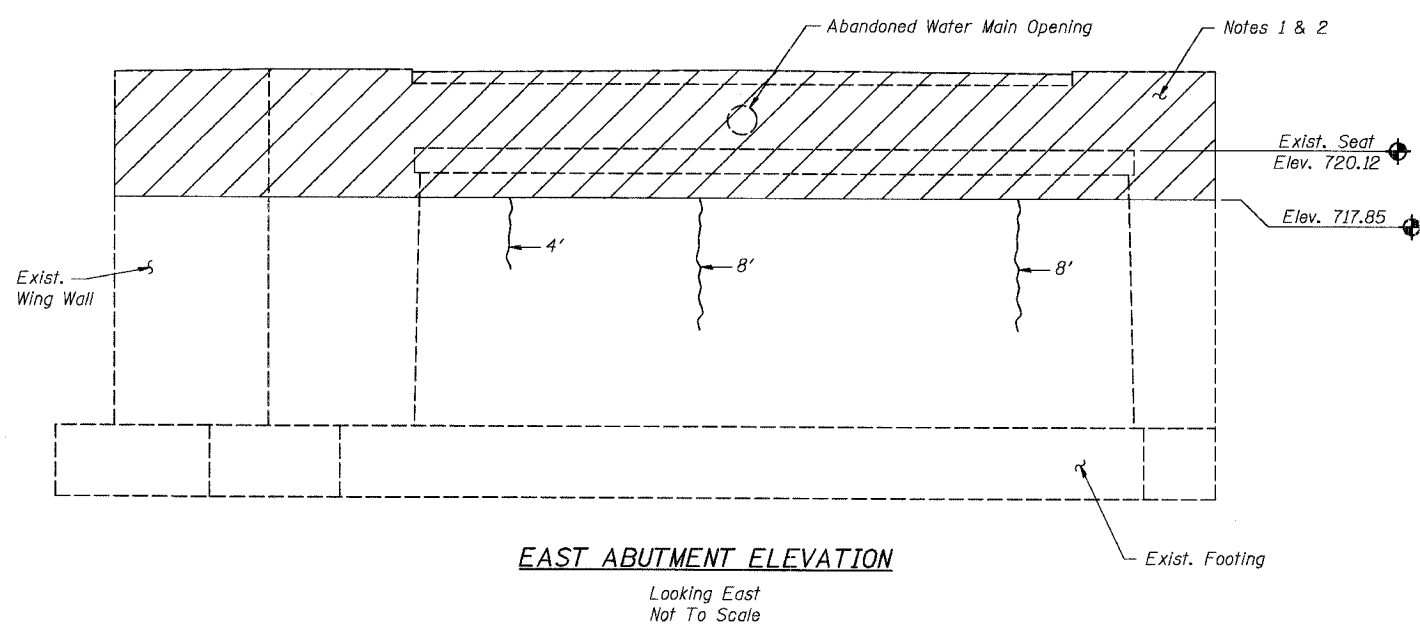


**GENERAL NOTES**

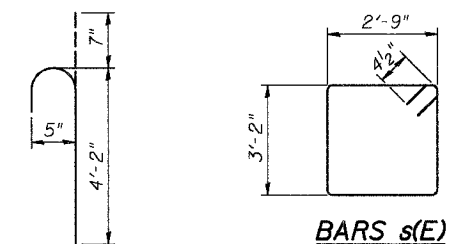
1. Removal of existing concrete shall conform to Article 501.03 of the Standard Specifications.
2. Preserve and incorporate 1'-0" length of a minimum of 50% of existing vertical reinforcement in removal area.
3. Space reinforcement in abutment seat to miss anchor bolts.
4. Reinforcement Bar Bending dimensions are out to out.
5. Coordinate placement of  $d_2(E)$  Bars with Concrete Bridge Rail, Special details on sheets S-7, S-8, and S-9.
6. Cost for Drilling and Grouting  $v_2(E)$  Bars shall be included in Reinforcement Bars, Epoxy Coated.
7. Cost for Reveal shall be included in Concrete Structures.



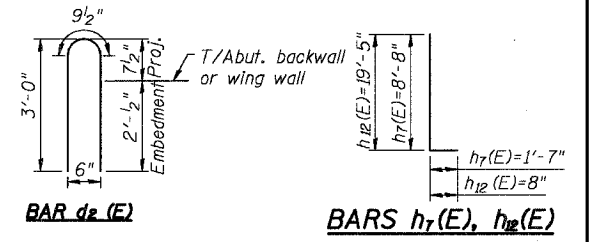
**A & B DIMENSIONS**

Bar	A	B
$h_3(E)$	3'-3"	2'-4"
$u(E)$	2'-7"	2'-2"
$v(E)$	8"	3'-9"

**BARS  $h_3(E)$ ,  $u(E)$ ,  $v(E)$**



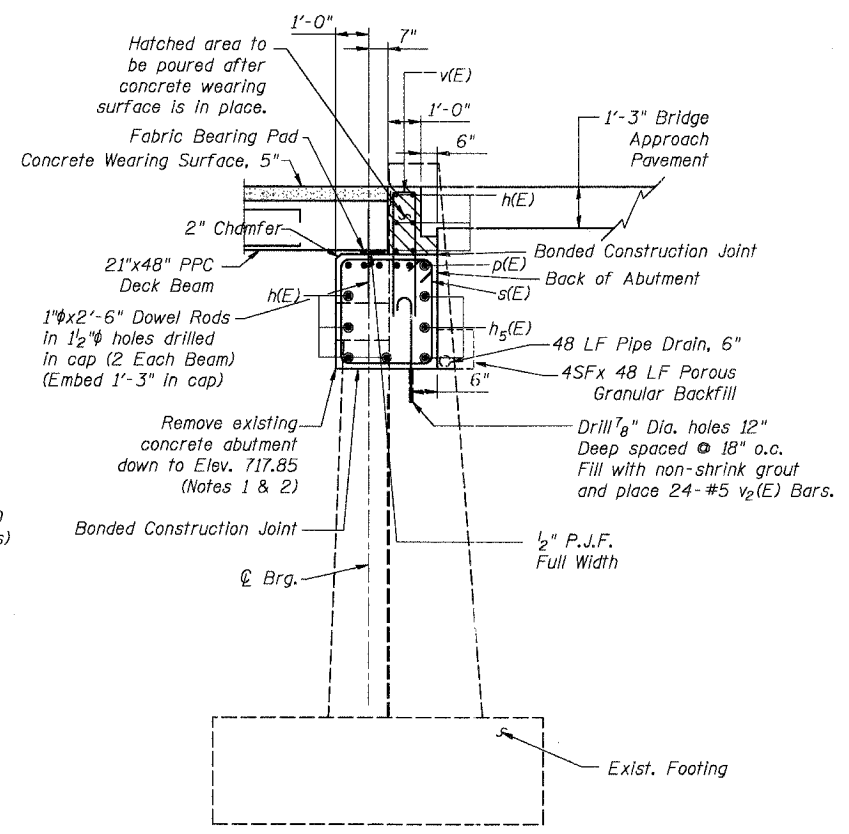
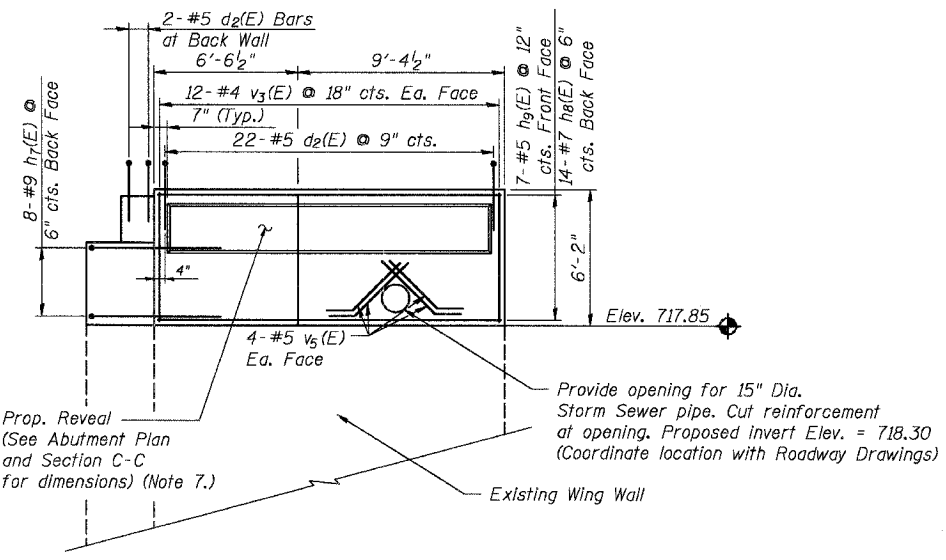
**BAR  $v_2(E)$**



**LEGEND**

Indicates Concrete Removal Area

Indicates Epoxy Crack Sealing



**BILL OF MATERIAL**

Bar	No.	Size	Length (FT)	Shape
$d_2(E)$	35	# 5	6'-3"	□
$h(E)$	20	# 5	25'-0"	□
$h_3(E)$	6	# 7	25'-8"	□
$h_4(E)$	14	# 5	6'-6"	□
$h_7(E)$	8	# 9	10'-3"	□
$h_8(E)$	14	# 7	16'-2"	□
$h_9(E)$	7	# 5	15'-8"	□
$h_{10}(E)$	6	# 5	2'-11"	□
$h_{11}(E)$	8	# 4	20'-1"	□
$h_{12}(E)$	4	# 4	7'-11"	□
$p(E)$	12	# 7	25'-8"	□
$s(E)$	49	# 5	12'-7"	□
$u(E)$	8	# 5	6'-11"	□
$v(E)$	49	# 4	8'-2"	□
$v_2(E)$	36	# 4	4'-9"	□
$v_3(E)$	30	# 4	5'-10"	□
$v_4(E)$	8	# 5	4'-7"	□
Reinforcement Bars, Epoxy Coated		Pound	4,030	
Porous Granular Backfill		Cu. Yd.	41	
Concrete Removal		Cu. Yd.	28.4	
Concrete Structures		Cu. Yd.	30.6	
Structure Excavation		Cu. Yd.	41	
Pipe Drain, 6"		Foot	48	
Epoxy Crack Sealing		Foot	20	

Reinforcement Bars designated (E) shall be Epoxy Coated

DESIGNED	KMA
CHECKED	RGD
DRAWN	WJH
CHECKED	NRF



ILLINOIS DEPARTMENT OF TRANSPORTATION

East Abutment Details  
 Main Street Over Fox River  
 "Public Waters"  
 Village of Carpentersville  
 Section 02-00059-00-BR  
 SN. 045-6150  
 Kane County

DATE 02-25-2005