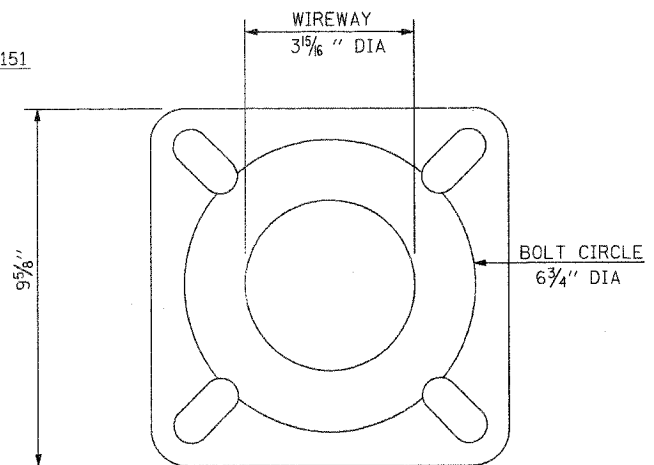
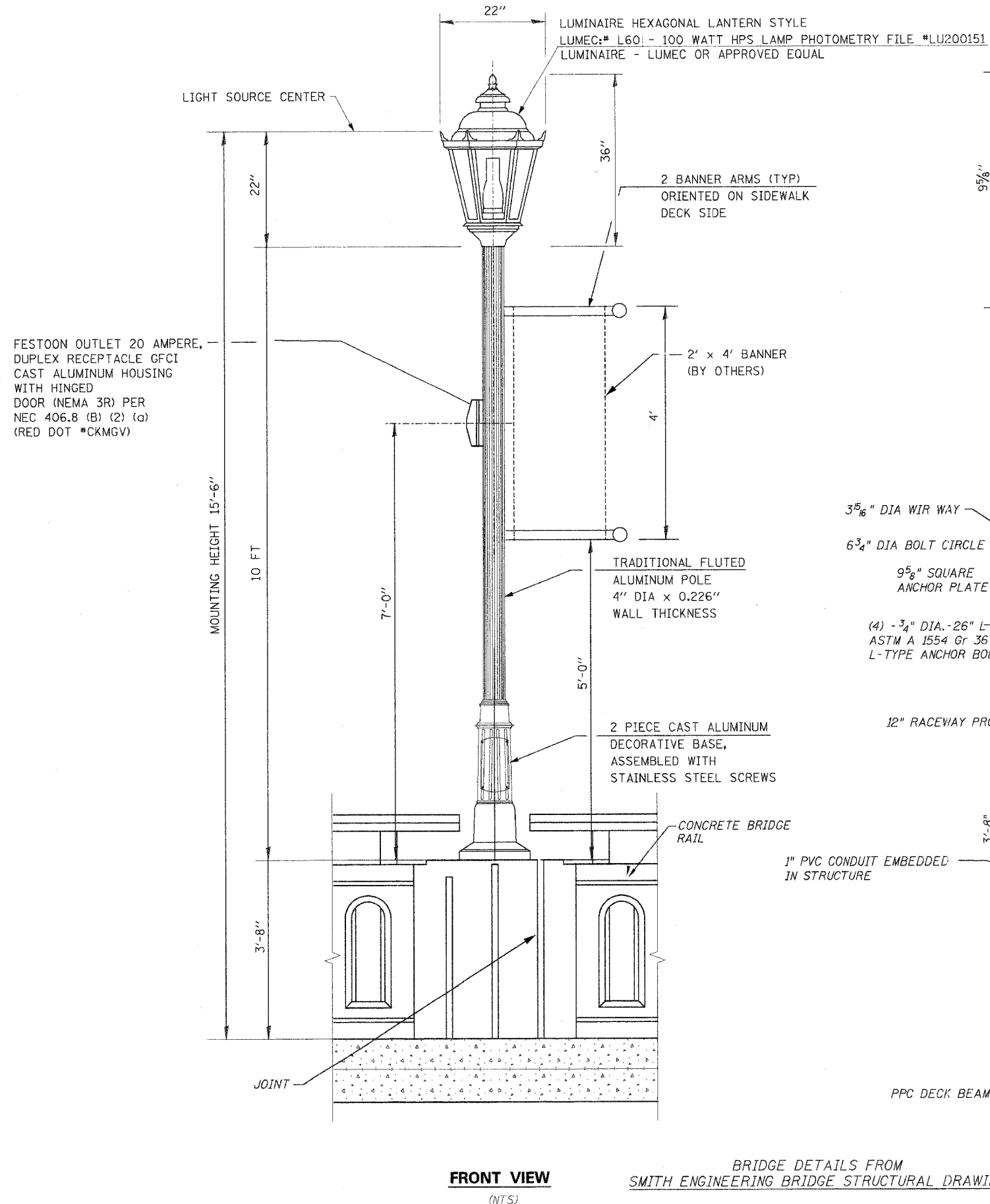
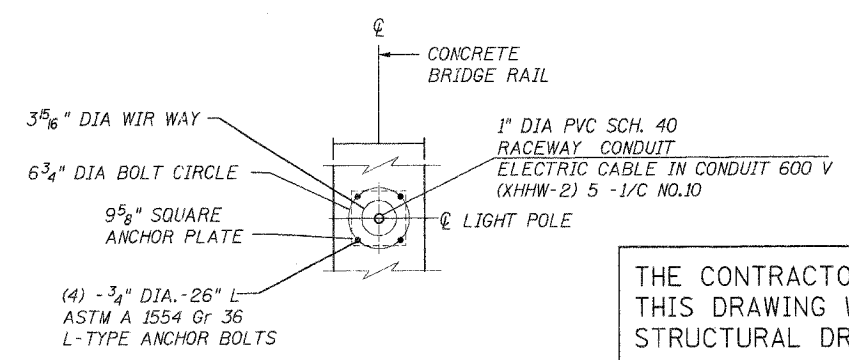


NOTES

1. THE POLE RECEPTACLE HOUSING, AND LUMINAIRE SHALL BE PAINTED IN POLEYSTER POWDER COATED TEXTURED BLACK COLOR FINISH.
2. ANCHOR BOLT CIRCLE AND BOLT SLOTS IN POLE BASE PLATE, SHALL BE VARIFIED WITH POLE MANUFACTURED.
3. LUMINAIRES ARE TO BE INSTALLED AS SOON AS POSSIBLE AFTER POLE ERECTION PER MANUFACTURER RECOMMENDATIONS. THE POLE WILL NOT BE PAID FOR UNTIL THE LUMINAIRE IS INSTALLED.
4. THE LIGHT POLE SHALL MEET 80 MPH WIND SPEED AASHTO DESIGN CRITERIA. THE CONTRACTOR SHALL FURNISH WIND LOAD CALCULATIONS MEETING AASHTO DESIGN CRITERIA.
5. THE DUCT SHALL EXTEND INTO POLE A MINIMUM OF 304.8 mm (12") ABOVE THE BASE.



**DECORATIVE LIGHT POLE
BASE PLATE DETAIL
(NTS)**



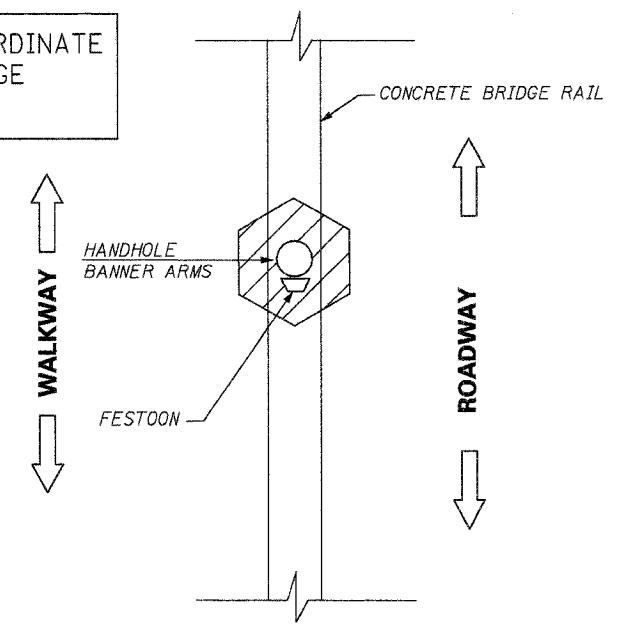
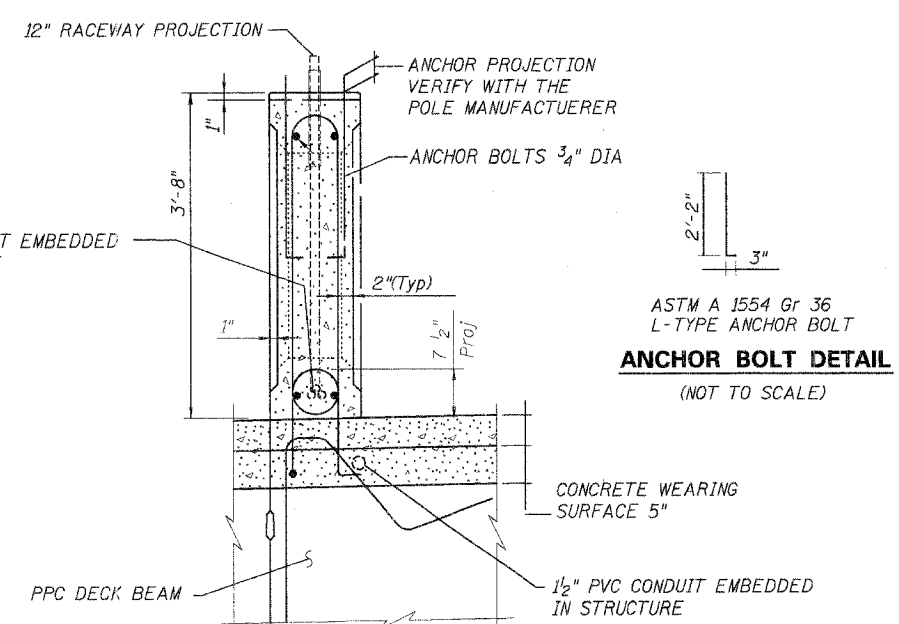
THE FOLLOWING LISTED ITEMS ARE EMBEDDED IN BRIDGE STRUCTURE:

- a. ANCHOR BOLTS IN CONCRETE BRIDGE RAIL FOR LIGHTING UNIT FOUNDATION.
- b. JUNCTION BOX WITH COVER STAINLESS STEEL, ELECTRIC PANEL WITH DISTRIBUTION BLOCKS AND FUSE.
- c. 1 1/2" DIA PVC CONDUIT (SCHEDULE 40)
- d. 1" DIA PVC CONDUIT (SCHEDULE 40)

IN A BRIDGE STRUCTURAL JOINTS, EXPANSION FITTINGS SHALL BE INSTALLED FOR ALL ELECTRICAL RACEWAY RUNS.

COST OF FURNISHING AND INSTALLATION THESE MATERIAL SHALL BE INCLUDED WITH BRIDGE STRUCTURE MATERIALS AND WILL NOT BE PAID SEPERATELY.

THE CONTRACTOR SHALL CO-ORDINATE
THIS DRAWING WITH THE BRIDGE
STRUCTURAL DRAWING



**POLE MOUNTING DETAIL
(NOT TO SCALE)**

BRIDGE DETAILS FROM
SMITH ENGINEERING BRIDGE STRUCTURAL DRAWINGS

<p>Sunjoy Inc. Area Lighting</p> <p>212 TIMBERCREST DRIVE SCHAUMBURG, ILLINOIS 60193-1572</p>	<p>VILLAGE OF CARPENTERSVILLE MAIN STREET OVER FOX RIVER</p>
	<p>DECORATIVE POLE MOUNTED ON CONCRETE BRIDGE RAIL</p>
<p>SCALE: NTS DATE: 02-05-05</p>	<p>DRAWN BY: HMO CHECKED BY: JS</p>

REVISION 02-26-05