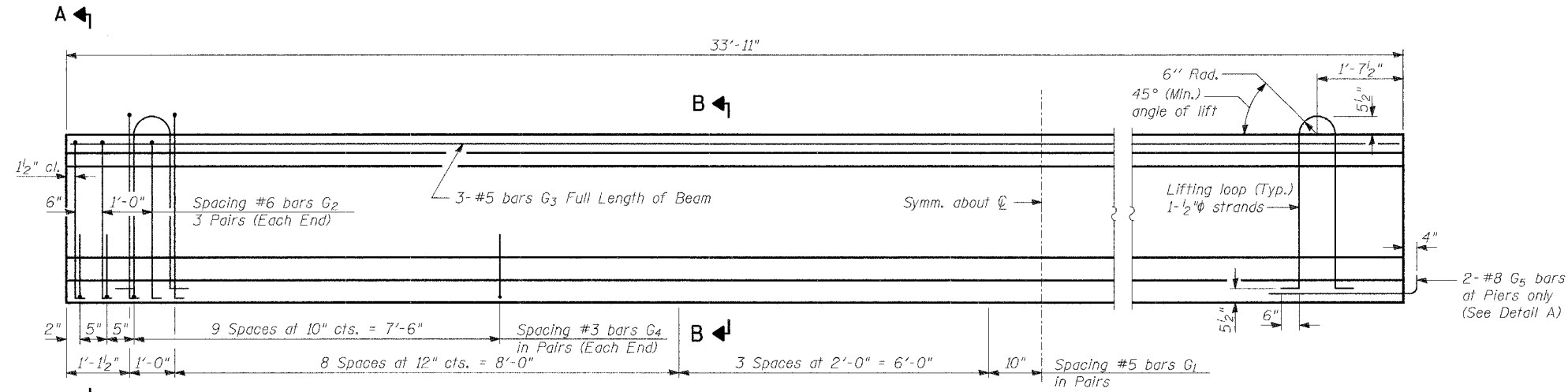
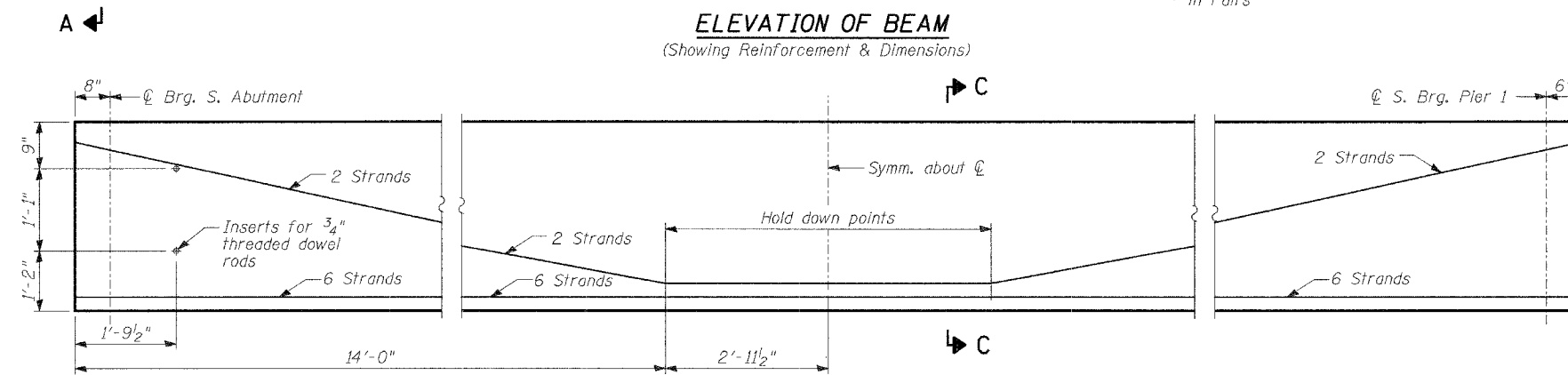


STATE OF ILLINOIS
DEPARTMENT OF TRANSPORTATION

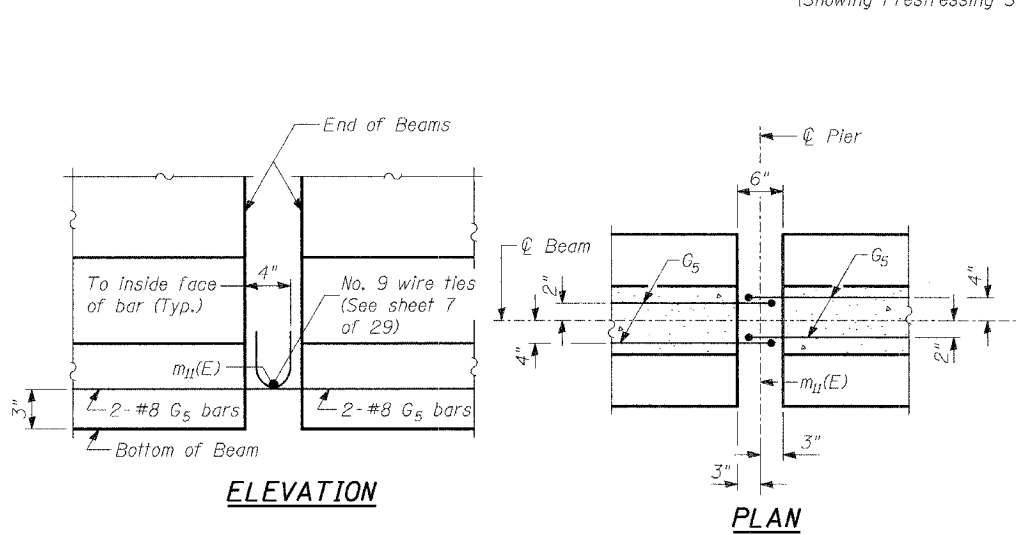
| | | | | | |
|---------------------|------------|------------------|----------------|-----------|----------------|
| ROUTE NO. | SECTION | COUNTY | TOTAL SHEETS | SHEET NO. | SHEET NO. - 11 |
| 2758 | * | LAKE | 40 | 21 | 30 - SHEETS |
| FED. ROAD DIST. NO. | ILL. DIST. | FED. AID PROJECT | CONTRACT 83790 | | |
| * 02-00025-00-BR | | | | | |



ELEVATION OF BEAM
(Showing Reinforcement & Dimensions)



ELEVATION OF BEAM
(Showing Prestressing Steel)



ELEVATION

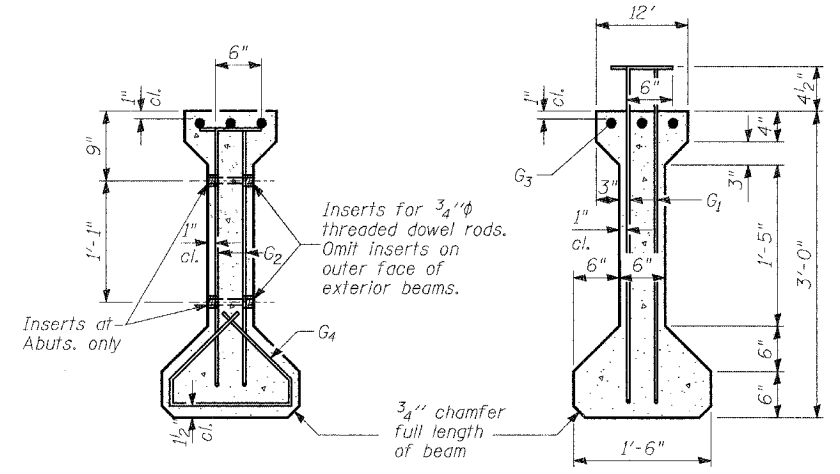
PLAN

DETAIL "A"

TYLIN INTERNATIONAL

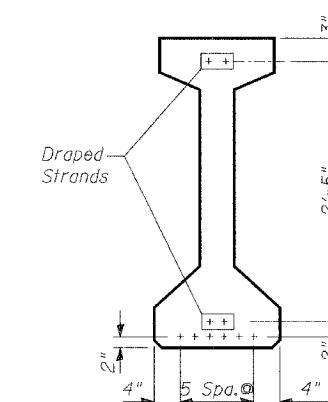
| | |
|----------|------|
| DESIGNED | - DE |
| CHECKED | - SP |
| DRAWN | - DE |
| CHECKED | - PF |

DATE: 01-28-2005



SECTION A-A

SECTION B-B



SECTION C-C

**** BAR LIST**

| Bar | No. | Size | Length | Shape |
|----------------|-----|------|-----------|-------|
| G ₁ | 52 | #5 | 4'-2 1/2" | TL |
| G ₂ | 12 | #6 | 3'-7" | TL |
| G ₃ | 3 | #5 | 33'-7" | — |
| G ₄ | 48 | #3 | 2'-7" | — |
| G ₅ | 2 | #8 | 3'-6" | — |

** For one beam only.

BILL OF MATERIAL

| Item | Unit | Total |
|---|------|---------|
| Furnishing and Erecting Precast Prestressed Concrete I-Beams, 36" | Ft. | 203'-6" |

NOTES

- All inserts and threaded dowel rods for inserts, reinforcing and Prestressing Steel, and other items which are cast into the Precast Concrete I-Beams shall be included in the contract unit price per foot of "Furnishing and Erecting Precast Prestressed Concrete I-Beams, 36 in."
- Inserts for 3/4" threaded dowel rods are to be two strut, coil type for interior I-Beams and single coil, flared loop type for exterior I-Beams.
- Prestressing steel shall be uncoated high strength, low relaxation 7-wire strand, Grade 270.
- The nominal diameter shall be 1/2" and the nominal cross-sectional area shall be 0.153 sq. in.
- Non-prestressing steel shall conform to AASHTO designation M-31, M-42 or M-53 Grade 60.
- Lifting loops shall be 1-1/2" 270 ksi strand, as shown.
- Required release strength, f'ci, shall be 5,000 psi.
- Reinforcement bars designated (E) shall be epoxy coated.

BEAM DETAILS - SPAN 1

MOFFETT ROAD OVER
DRAINAGE RAVINE
FAU 2758
LAKE COUNTY
S.N. 049-6803