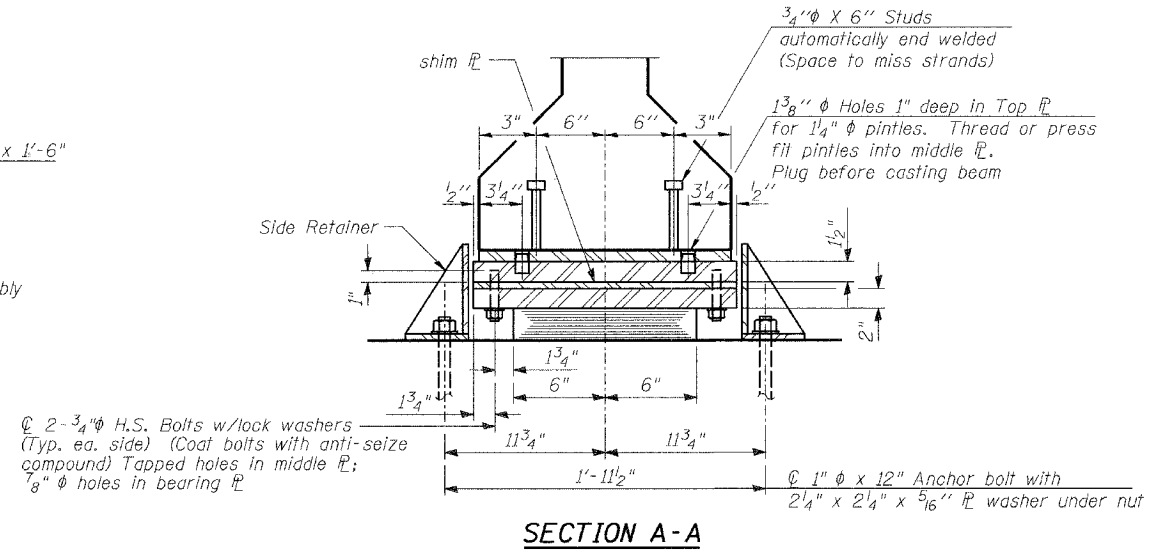
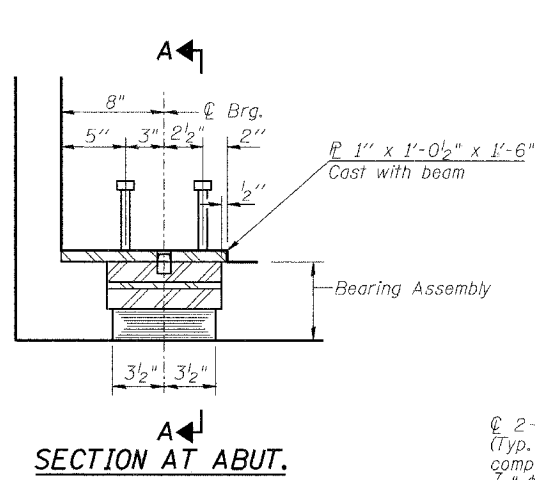


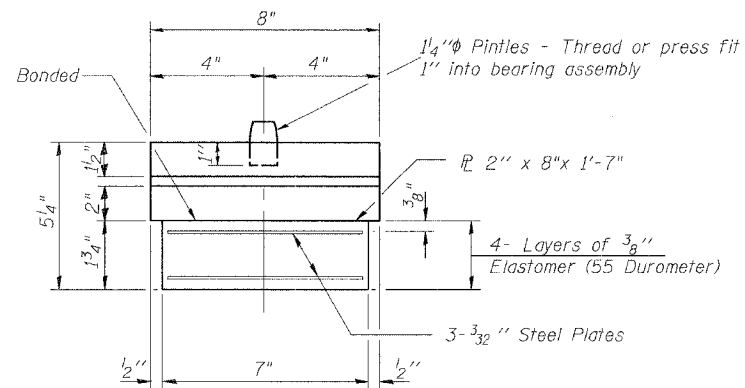
STATE OF ILLINOIS
DEPARTMENT OF TRANSPORTATION

ROUTE NO.	SECTION	COUNTY	TOTAL SHEETS	SHEET NO.	SHEET NO. -14 30 - SHEETS CONTRACT 83790
2758	*	LAKE	40	24	
FED. ROAD DIST. NO.		ILLINOIS	FED. AID PROJECT -		
* 02-00025-00-BR					

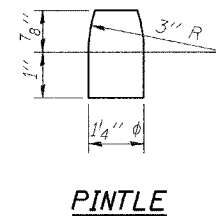


TYPE I ELASTOMERIC EXP. BRG.

Notes:
After beams have been erected holes at expansion bearings shall be drilled and anchor bolts grouted in place.
See Sheet 21 of 30 for anchor bolt installation.

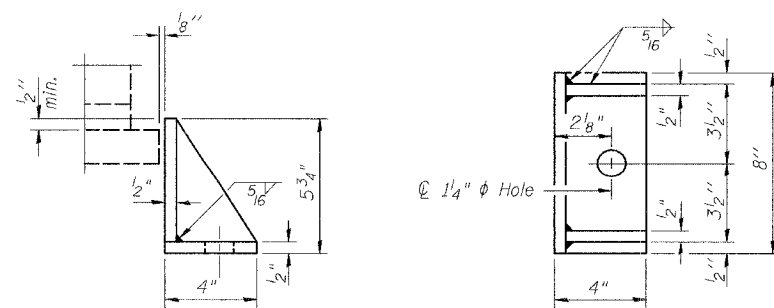


Note: Shim plates shall not be placed under Bearing Assembly.



BILL OF MATERIAL

Item	Unit	Total
Elastomeric Bearing Assembly, Type I	Each	12



Equivalent rolled angle with stiffeners will be allowed in lieu of welded plates.

TYLIN INTERNATIONAL

DESIGNED	- DE, SP
CHECKED	- SP
DRAWN	- SP
CHECKED	- PF

DATE: 02-23-2005

BEARING DETAILS

MOFFETT ROAD OVER
DRAINAGE RAVINE
FAU 2758
LAKE COUNTY
S.N. 049-6803