

STATE OF ILLINOIS
DEPARTMENT OF TRANSPORTATION

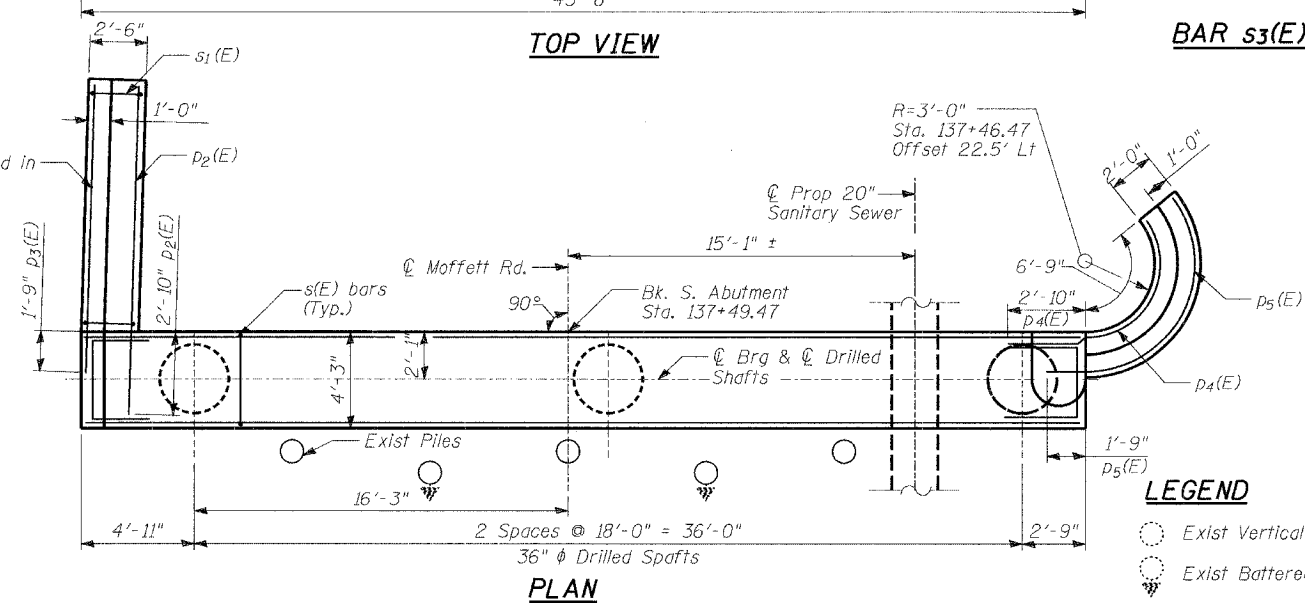
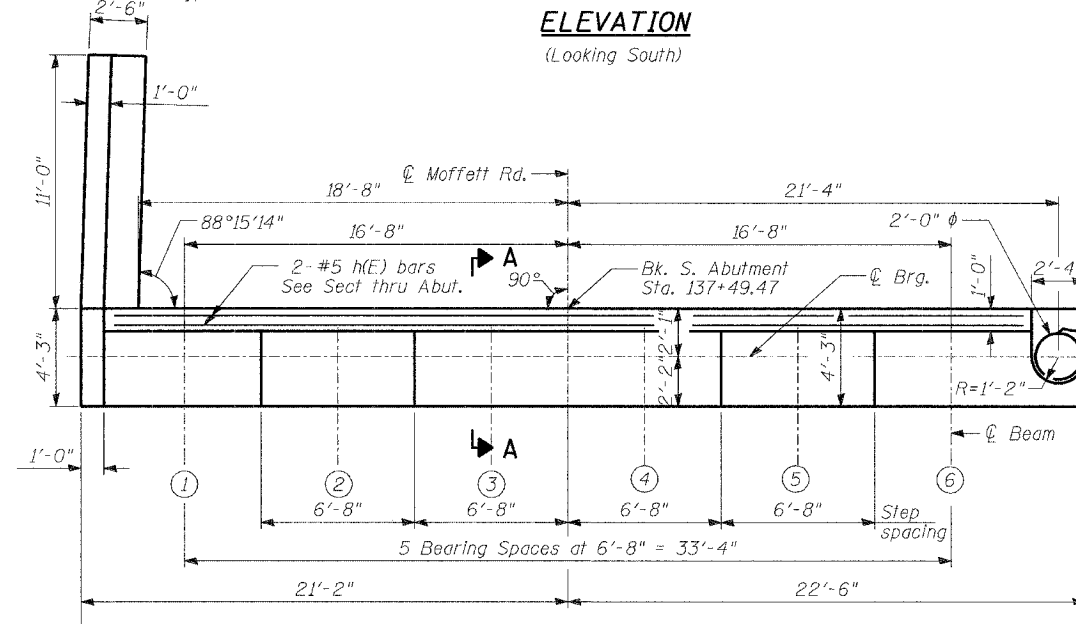
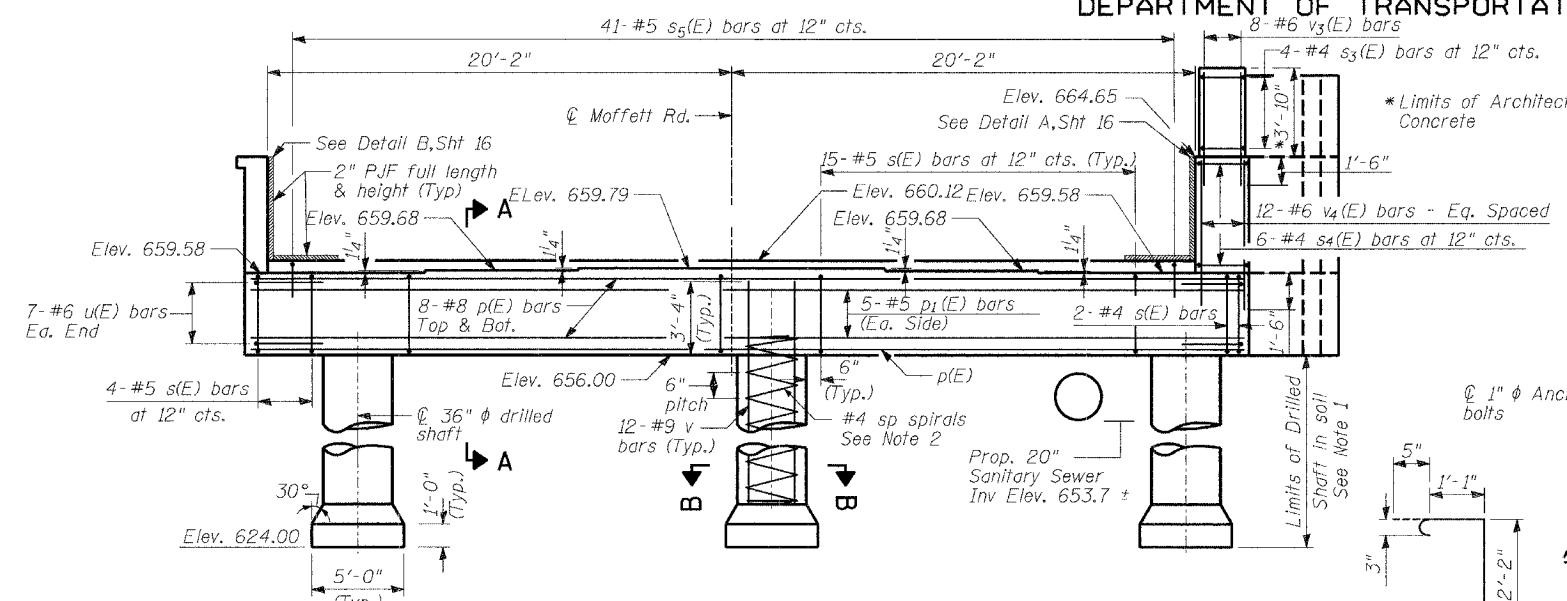
ROUTE NO.	SECTION	COUNTY	TOTAL SHEETS	SHEET NO.
2758	*	LAKE	40	25
FED. ROAD DIST. NO.	ILLINOIS	FED. AID PROJECT-		
* 02-00025-00-BR				

SHEET NO. - 15
30 - SHEETS
CONTRACT 83790

BILL OF MATERIAL

Bar	No.	Size	Length	Shape
$h_1(E)$	2	#5	40'-0"	
$h_1(E)$	17	#6	14'-11"	
$h_2(E)$	8	#6	11'-3 1/4"	
$h_3(E)$	4	#4	9'-2 1/4"	
$h_4(E)$	8	#4	3'-6"	
$h_5(E)$	9	#6	12'-7 1/2"	
$h_6(E)$	4	#4	10'-6 1/2"	
$p(E)$	16	#8	43'-4"	
$p_1(E)$	10	#5	43'-4"	
$p_2(E)$	7	#7	13'-8"	
$p_3(E)$	4	#5	12'-7"	
$p_4(E)$	5	#7	10'-0"	
$p_5(E)$	4	#5	12'-3 1/2"	
$p_6(E)$	2	#7	13'-4 1/2"	
$s(E)$	36	#5	14'-7"	
$s_1(E)$	15	#4	10'-11"	
$s_2(E)$	10	#4	9'-11"	
$s_3(E)$	4	#4	7'-2"	
$s_4(E)$	6	#4	10'-0 1/4"	
$s_5(E)$	41	#5	4'-0"	
$v(E)$	34	#5	6'-1"	
$v_1(E)$	20	#5	6'-2"	
$v_2(E)$	21	#4	4'-4"	
$v_3(E)$	8	#6	5'-2"	
$v_4(E)$	12	#6	6'-4"	
$v_{42}(E)$	27	#3	3'-8"	
$u(E)$	14	#6	8'-7 1/2"	
sp	3	#4	29'-6"	WWWWW
v	36	#9	32'-8"	
Concrete Structures, Special		Cu Yd	38.7	
Reinforcement Bars, Epoxy Coated		Pound	5360	
Reinforcement Bars		Pound	4845	
Structure Excavation		Cu Yd	126	
Porous Granular Embankment		Cu Yd	93	
Drilled Shaft in Soil, 36"		Foot	96	
Architectural Concrete		Cu Yd	1.6	

** Length is height of spiral.
Reinforcement bars designated (E) shall be epoxy coated.



TYLIN INTERNATIONAL
DESIGNED - SP SB
CHECKED - AD
DRAWN - SP SB
CHECKED - PF
DATE: 02-23-2005

LEGEND
○ Exist Vertical Pile
⊙ Exist Battered Pile

NOTES

- The quantities and detailing are based on the estimated elevations shown on the plans. The actual elevations may differ at each shaft and corresponding adjustments shall be made to the drilled shaft and reinforcement quantities and payment limits.
- Provide 1/2 extra turns top and bottom of each drilled shaft. Extend spiral 2" into abutment cap. Provide min. 4-#4 spacers or equivalent.
- Min. lap for spirals = 1'-8".
- Provide Temporary casing to Elev. 631, included in the cost for Drilled Shaft in Soil, 36".
- Space reinforcement in cap to miss anchor bolts.
- Pour steps monolithically with cap.
- Contractor shall be responsible for the design, installation, and subsequent removal of any temporary embankment or support system as required to provide equipment access for drilled shaft installation. Cost shall be included in the unit price for Drilled Shaft in Soil, 36".

8. See Sheet 26 of 30 for Architectural Finish details.

SOUTH ABUTMENT

MOFFETT ROAD OVER
DRAINAGE RAVINE
FAU 2758
LAKE COUNTY
S.N. 049-6803

SECTION B-B

ANCHOR BOLT LAYOUT

SECTION A-A

BAR s3(E)

BAR p4(E)

BAR s4(E)

BARS h2(E), h3(E)

BAR h6(E), h5(E)

BARS p6(E), p5(E)

BAR s(E)

BAR s1(E), s2(E)

BAR s5(E)

BAR u(E)

BAR v42(E)

BAR s3(E)

BAR s3(E)

LEGEND

○ Exist Vertical Pile
⊙ Exist Battered Pile