

STATE OF ILLINOIS
DEPARTMENT OF TRANSPORTATION

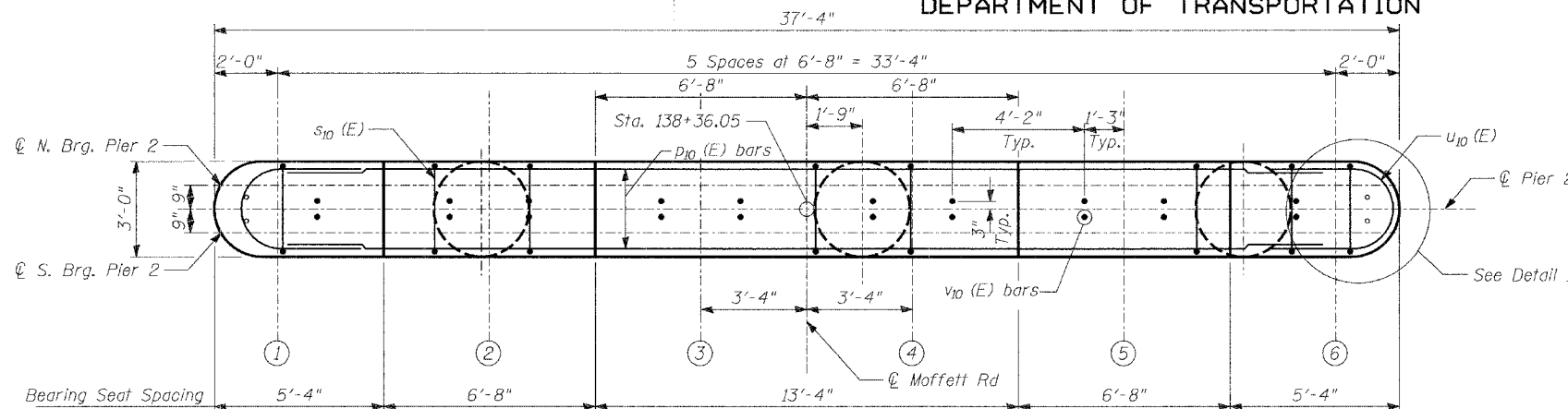
ROUTE NO.	SECTION	COUNTY	TOTAL SHEETS	SHEET NO.	SHEET NO. - 20
2758	*	LAKE	40	30	30 - SHEETS
FED. ROAD DIST. NO.	ILLINOIS	FED. AID PROJECT	CONTRACT 83790		

02-00025-00-BR

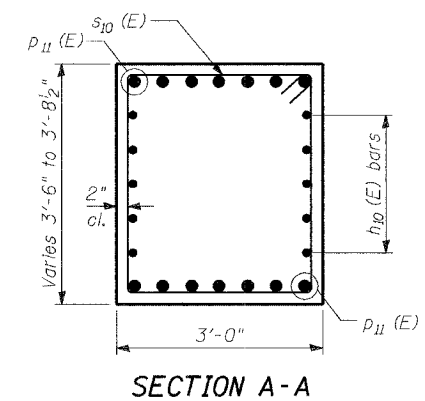
BILL OF MATERIAL

Bar	No.	Size	Length	Shape
$h_{10}(E)$	10	#5	34'-4"	
$p_{10}(E)$	7	#10	34'-4"	
$p_{11}(E)$	7	#8	34'-4"	
$s_{10}(E)$	46	#5	8'-4"	
** sp_{20}	3	#4	19'-5"	WWWWW
** $sp_{21}(E)$	3	#4	9'-11"	WWWWW
$u_{10}(E)$	14	#6	9'-5"	
$v_{10}(E)$	32	#8	4'-2"	
v_{11}	36	#9	19'-1"	
$v_{12}(E)$	36	#8	9'-0"	
$v_{13}(E)$	36	#8	12'-0"	
Concrete Structures, Special		CU YD		20.8
Drilled Shaft in Soil, 36"		FT		69
Reinforcement Bars		POUND		2915
Reinforcement Bars, Epoxy Coated		POUND		5600

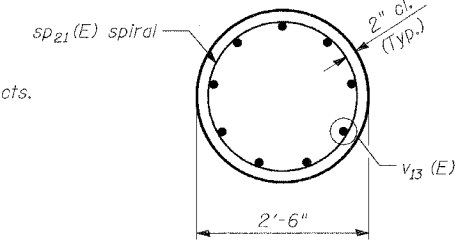
Reinforcement Bars designated (E) shall be epoxy coated.
** Length is height of spiral.



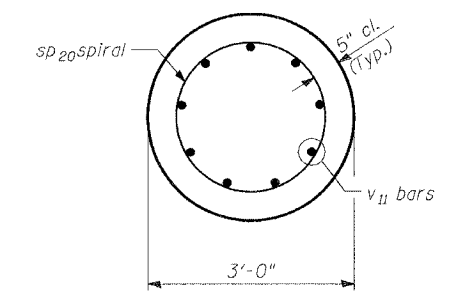
TOP PLAN



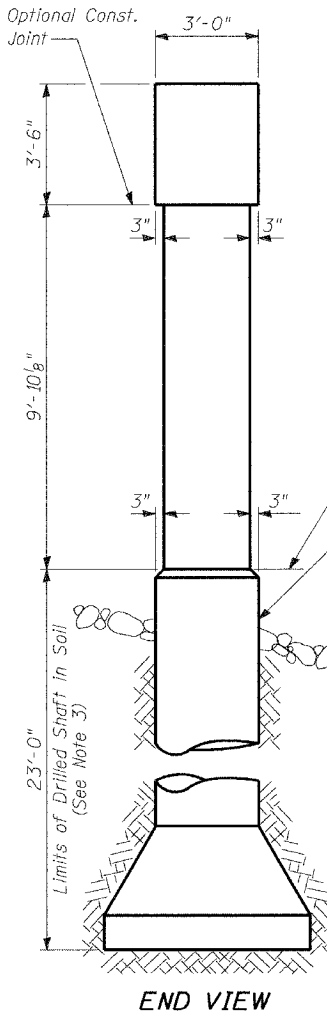
SECTION A-A



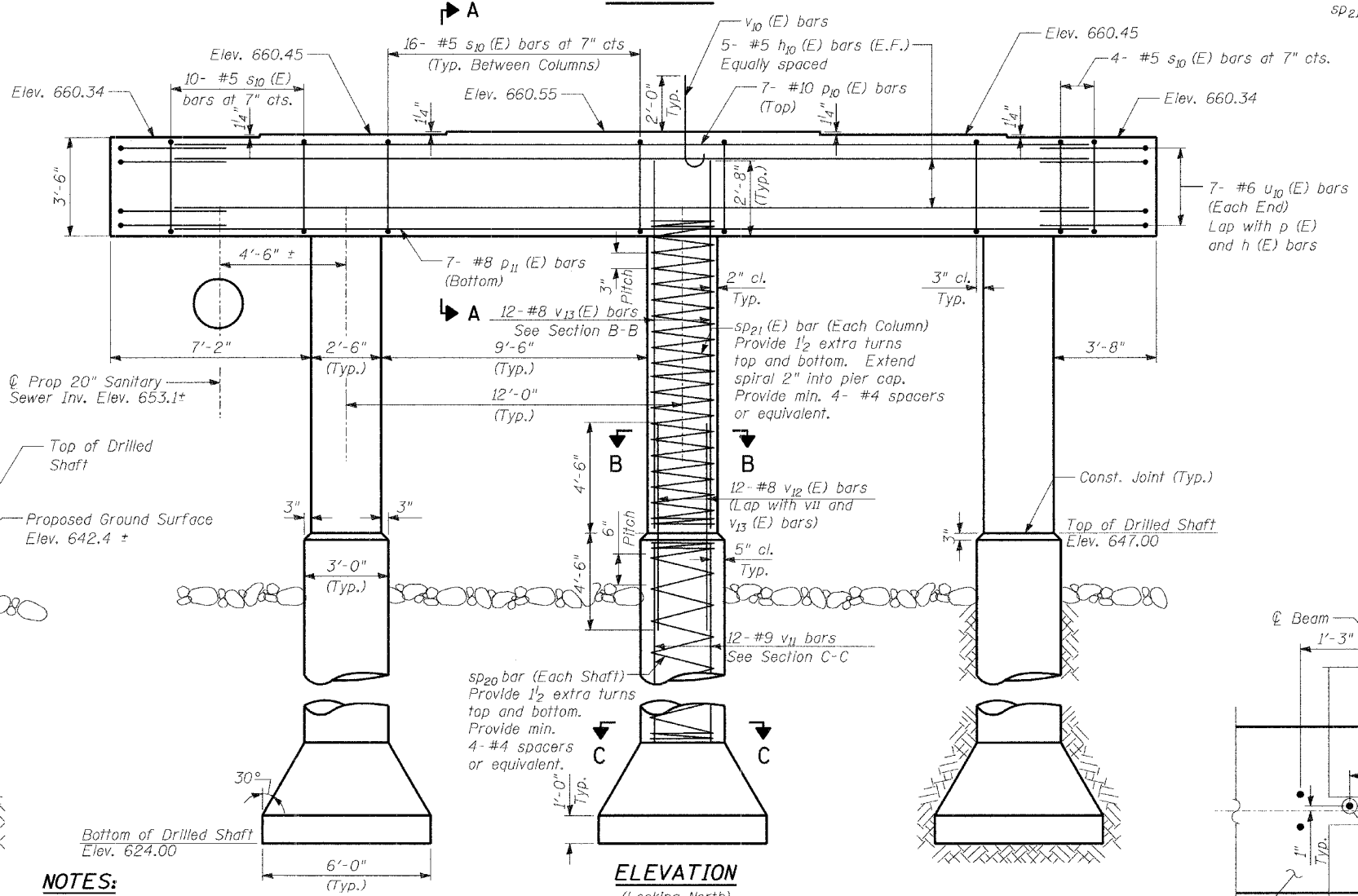
SECTION B-B



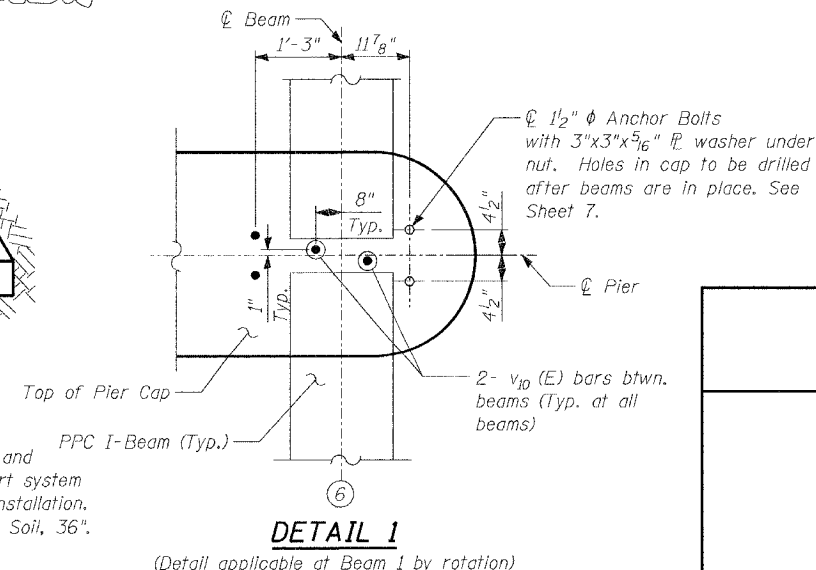
SECTION C-C



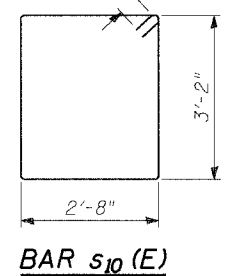
END VIEW



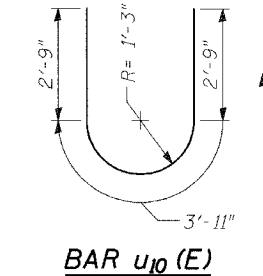
ELEVATION
(Looking North)



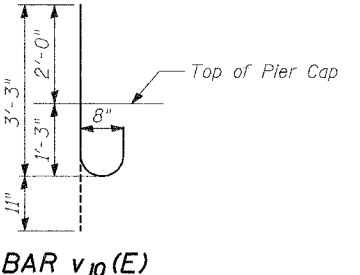
DETAIL 1
(Detail applicable at Beam 1 by rotation)



BAR s10(E)



BAR u10(E)



BAR v10(E)

PIER 2

MOFFETT ROAD OVER
DRAINAGE RAVINE
FAU 2758
LAKE COUNTY
S.N. 049-6803

NOTES:

1. Cast steps monolithically with cap.
2. Space cap reinforcement to miss anchor bolts.
3. The quantities and reinforcement detailing are based on the top of shaft and the estimated elevations shown and may change based on the actual elevations encountered at each shaft and the final top of shaft elevation.
4. Provide temporary casing to Elev. 631.00
5. Minimum lap for spirals = 1'-8"
6. Contractor shall be responsible for the design, installation, and subsequent removal of any temporary embankment or support system as required to provide equipment access for drilled shaft installation. Cost shall be included in the unit price for Drilled Shaft in Soil, 36".

TYLIN INTERNATIONAL

DESIGNED	- SP
CHECKED	- AD
DRAWN	- DE
CHECKED	- PF

DATE: 02-23-2005