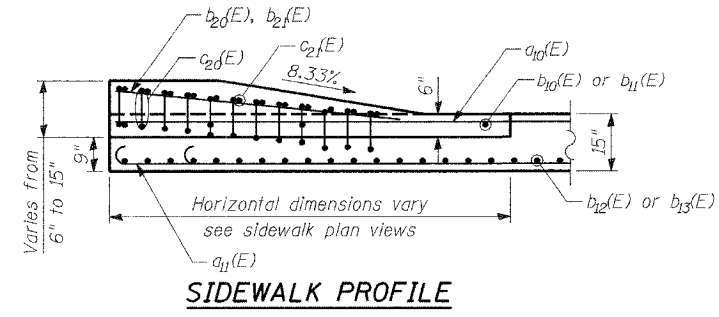
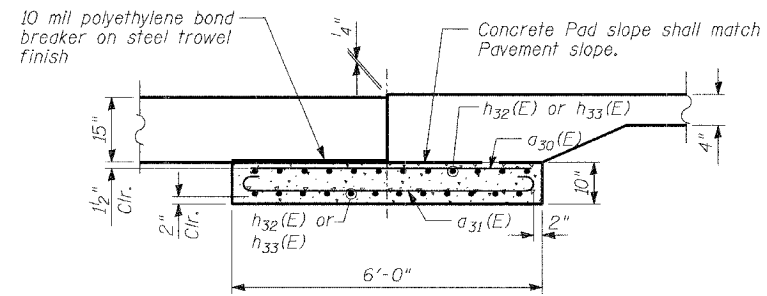
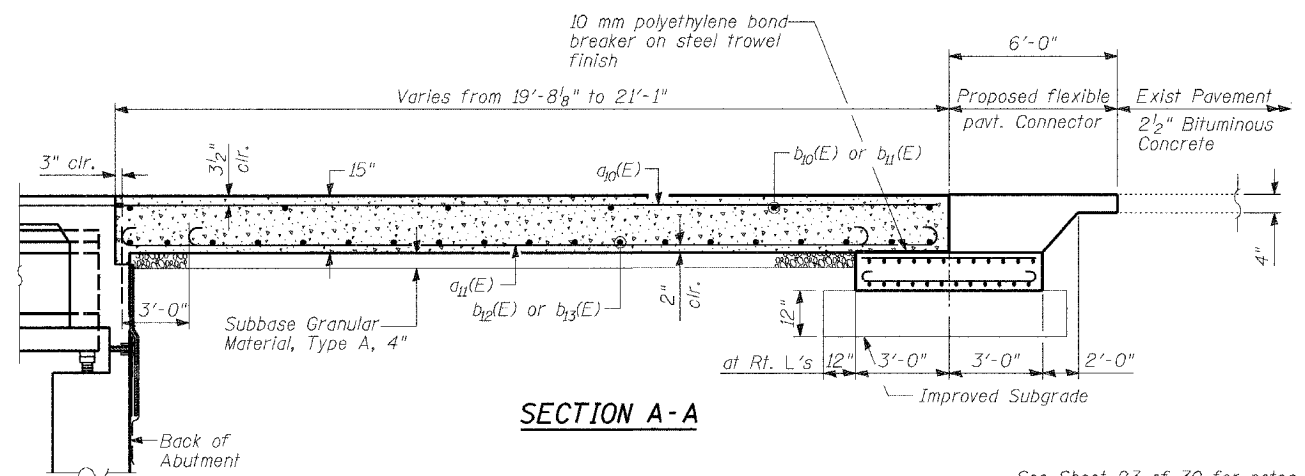
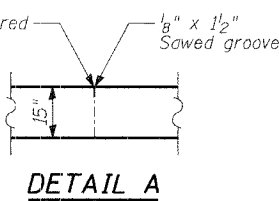
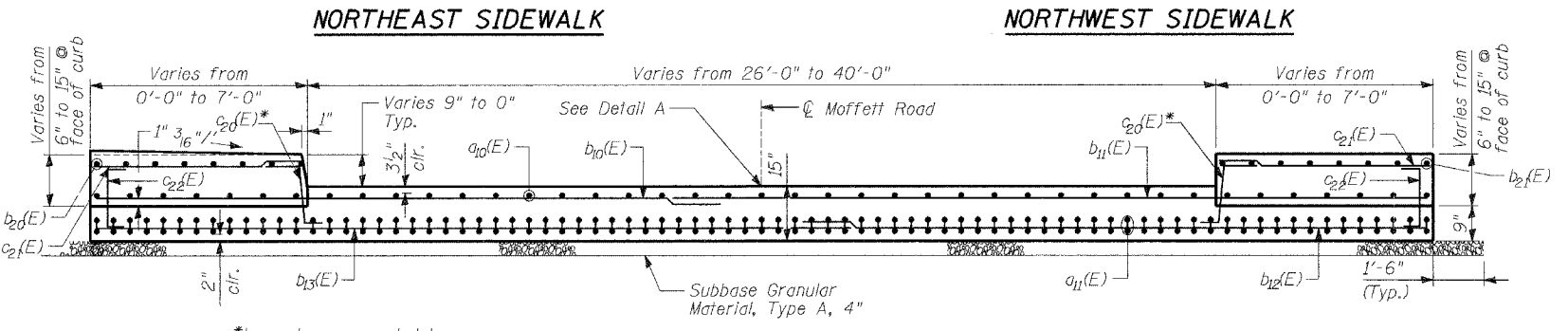
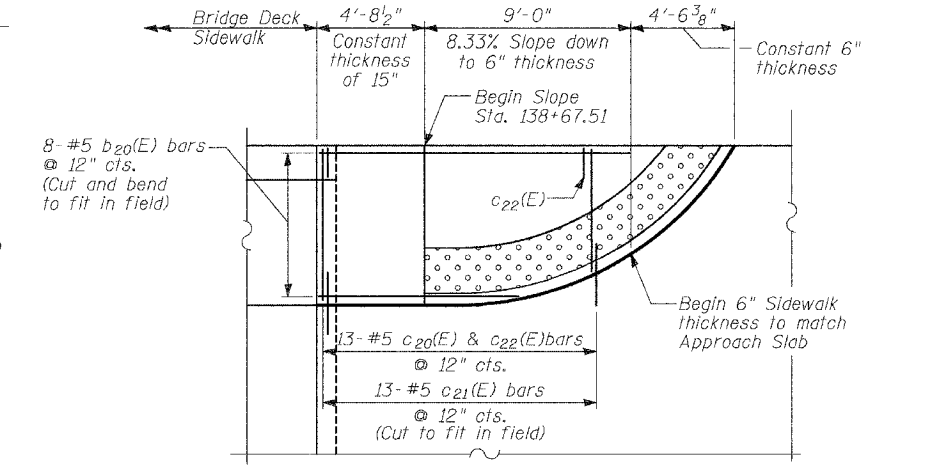
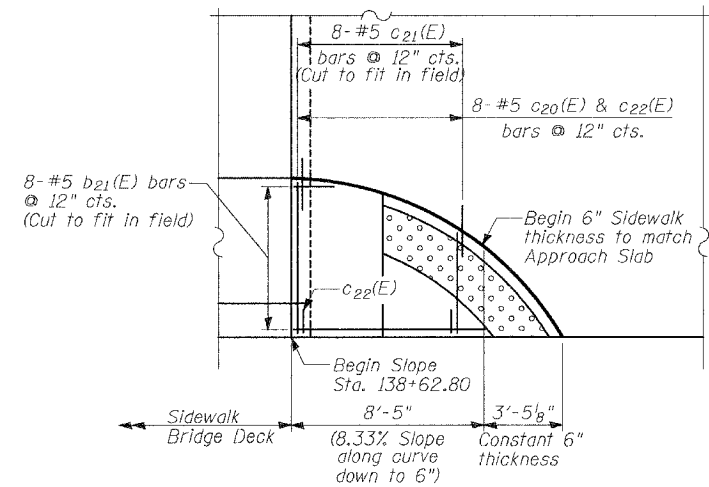
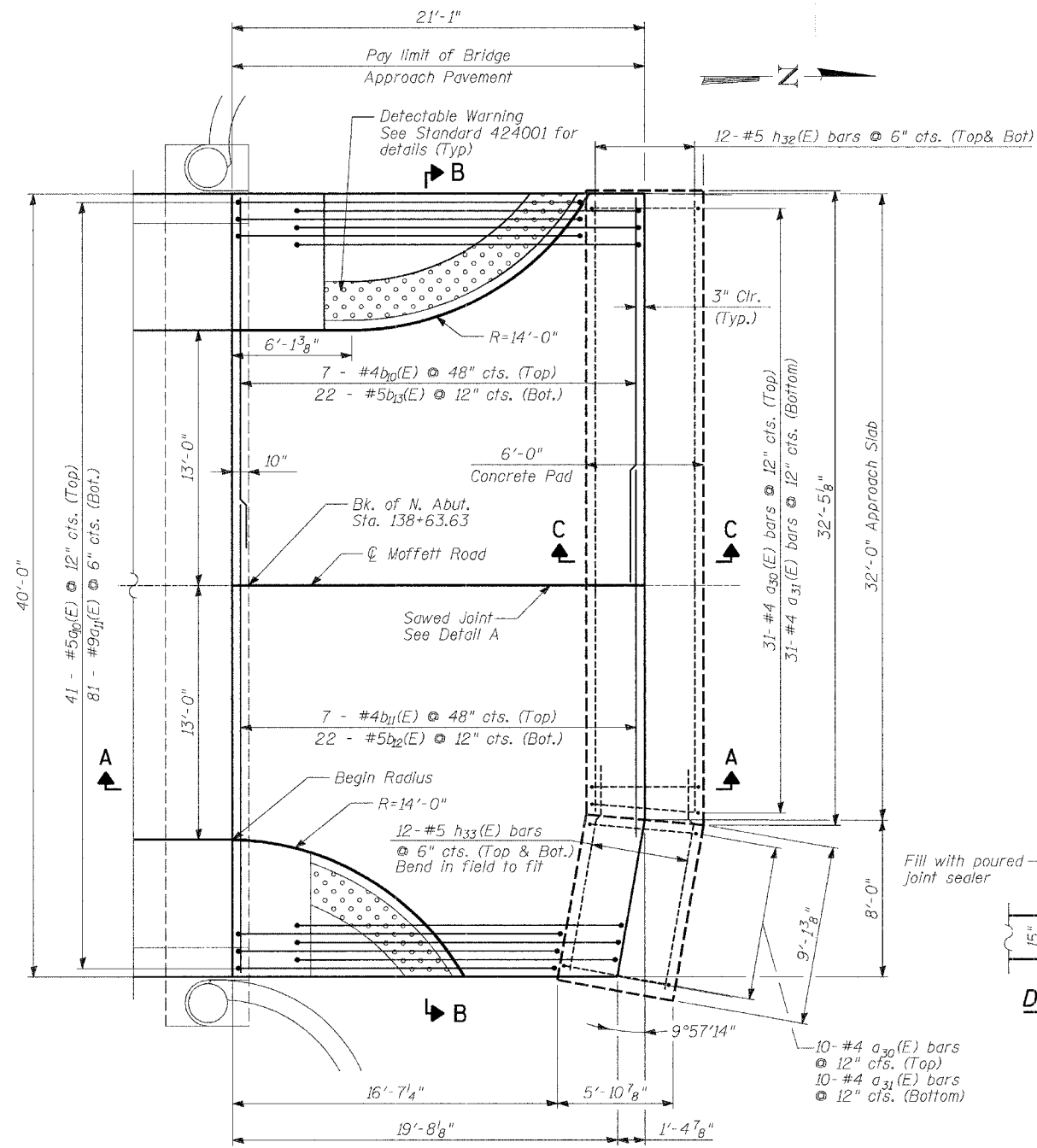


STATE OF ILLINOIS
DEPARTMENT OF TRANSPORTATION

ROUTE NO.	SECTION	COUNTY	TOTAL SHEETS	SHEET NO.	SHEET NO. - 24 30 - SHEETS CONTRACT 83790
2758	*	LAKE	40	34	
FED. ROAD DIST. NO.	ILL. DIST.	FED. AID PROJECT	* 02-00025-00-BR		



See Sheet 23 of 30 for notes.

NORTH APPROACH PAVEMENT

MOFFETT ROAD OVER DRAINAGE RAVINE
FAU 2758
LAKE COUNTY
S.N. 049-6803

TYLIN INTERNATIONAL

DESIGNED	- CM,DE
CHECKED	- SP
DRAWN	- CM,DE
CHECKED	- PF

DATE: 02-23-2005