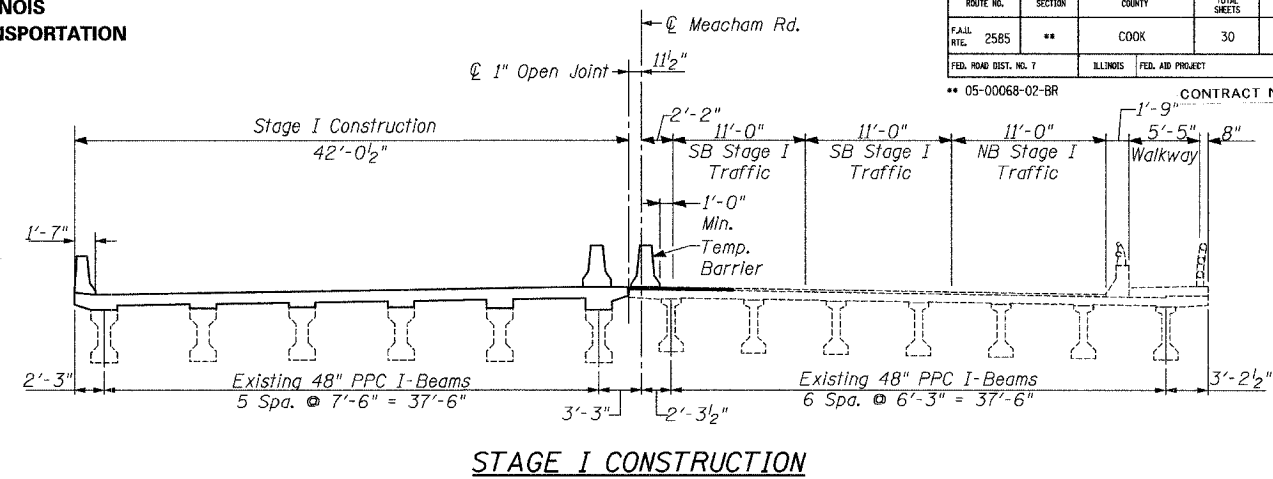
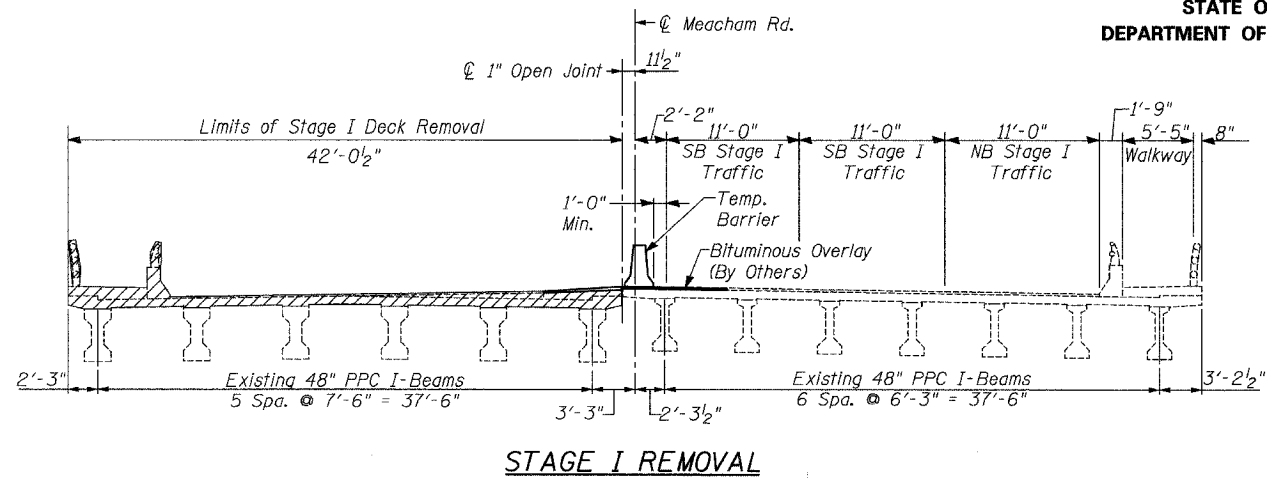


STATE OF ILLINOIS
DEPARTMENT OF TRANSPORTATION

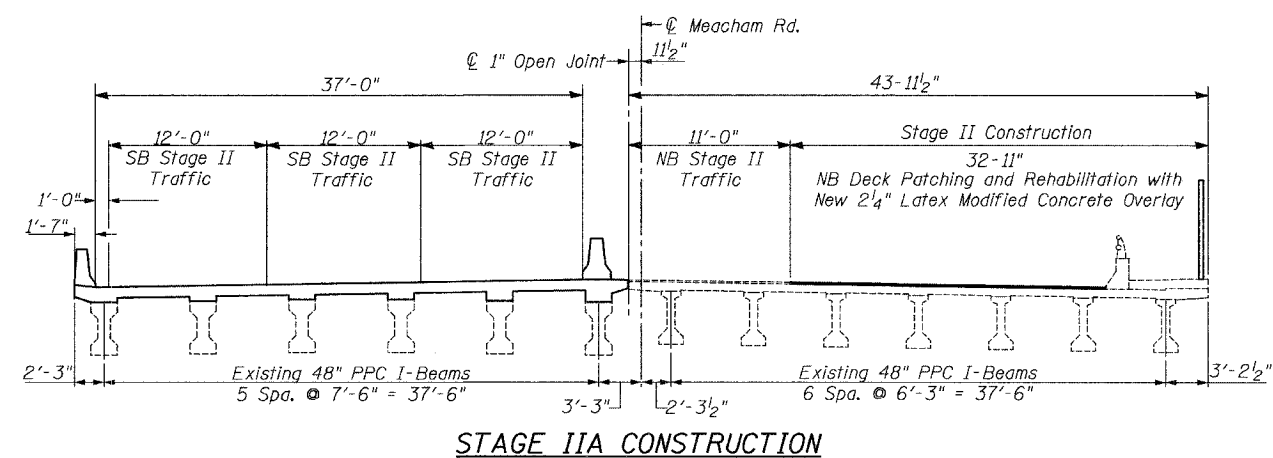
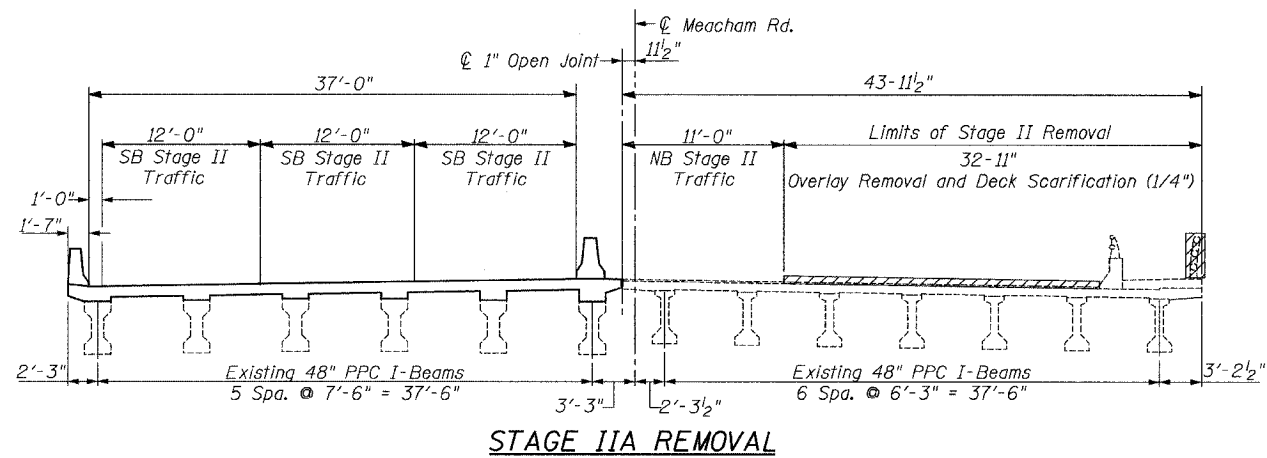
ROUTE NO.	SECTION	COUNTY	TOTAL SHEETS	SHEET NO.
2585	**	COOK	30	12
FED. ROAD DIST. NO. 7		ILLINOIS		FED. AID PROJECT
** 05-00068-02-BR		CONTRACT NO 83800		

SHEET NO. S-3
OF
S-21 SHEETS



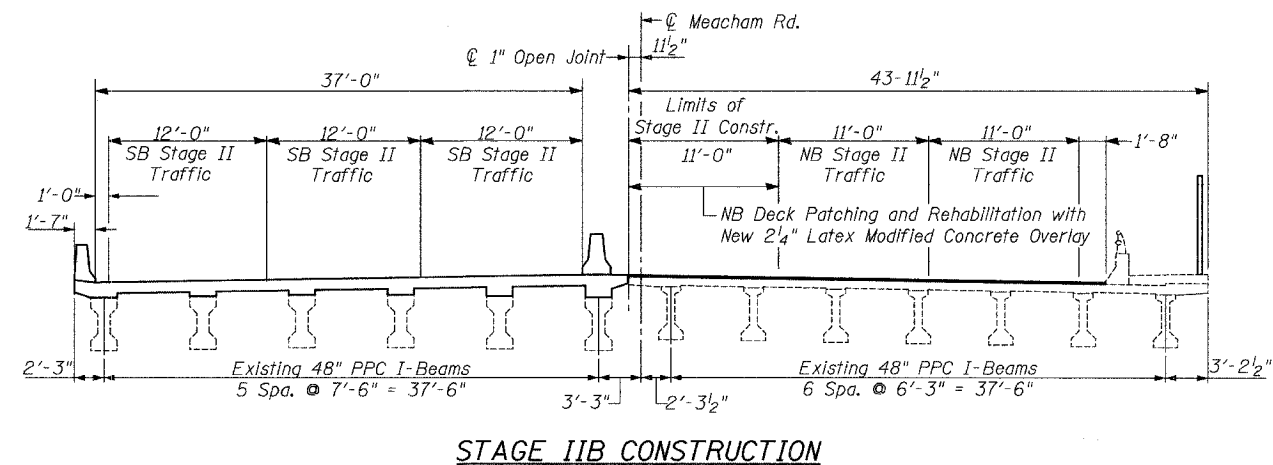
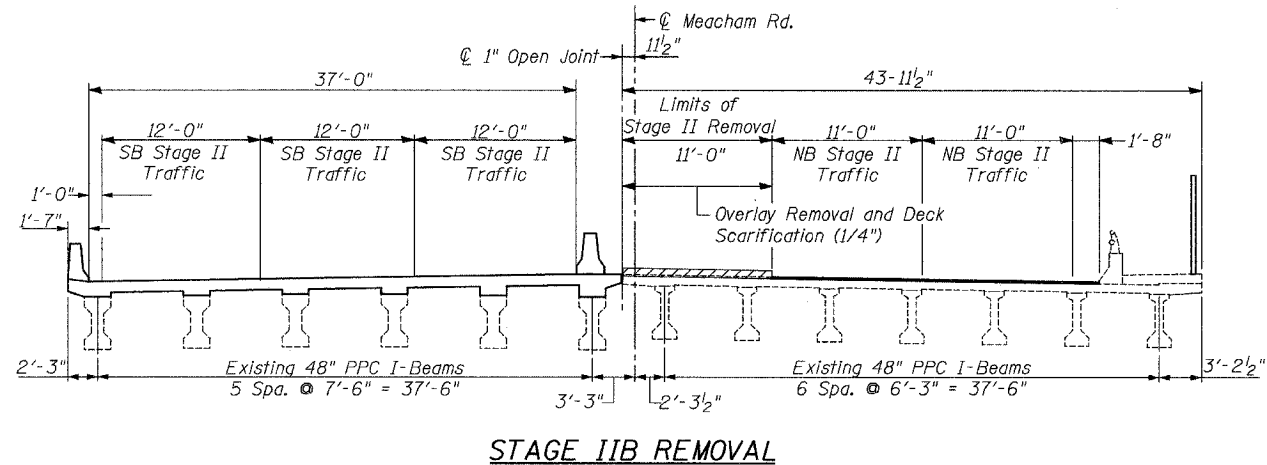
STAGE I REMOVAL

STAGE I CONSTRUCTION



STAGE IIA REMOVAL

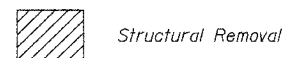
STAGE IIA CONSTRUCTION



STAGE IIB REMOVAL

STAGE IIB CONSTRUCTION

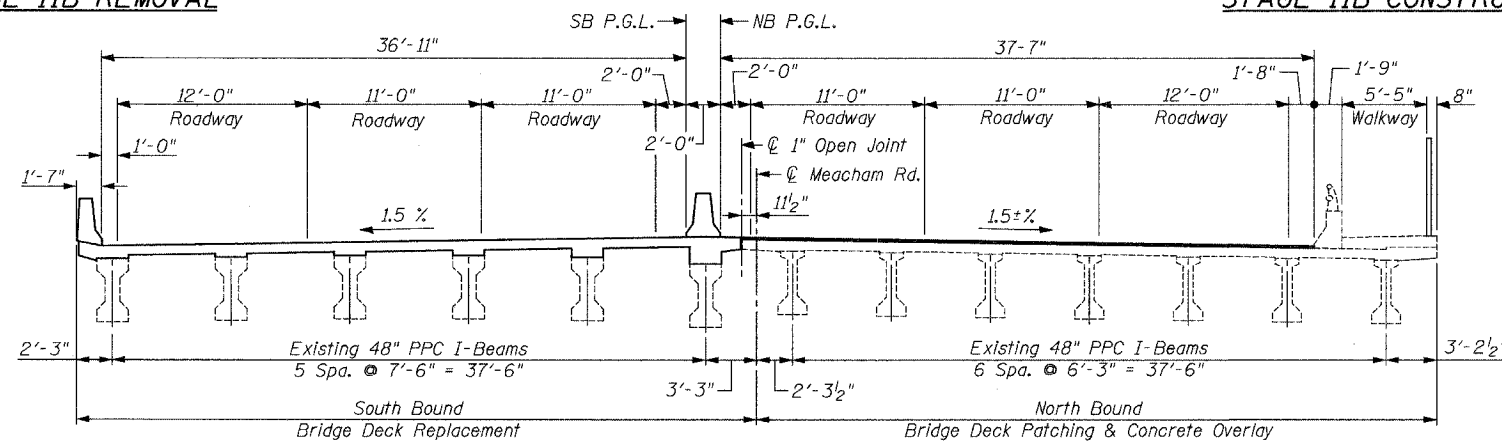
LEGEND



Structural Removal

Notes:

- All cross sections are looking North.
- For details of Temporary Concrete Barrier, see Sheet S-22



TYPICAL CROSS SECTION

TRAFFIC STAGING AND CONSTRUCTION
MEACHAM ROAD OVER NORTHWEST TOLLWAY
F.A.U. ROUTE 2585 SECTION 05-00068-02-BR
COOK COUNTY

STA. 285 + 04.18

STRUCTURE NO. 016-0676



DESIGNED: SCHELBIAN/AYARGICGLU
DRAWN: SCHELBIAN/AYARGICGLU
CHECKED: RLEE