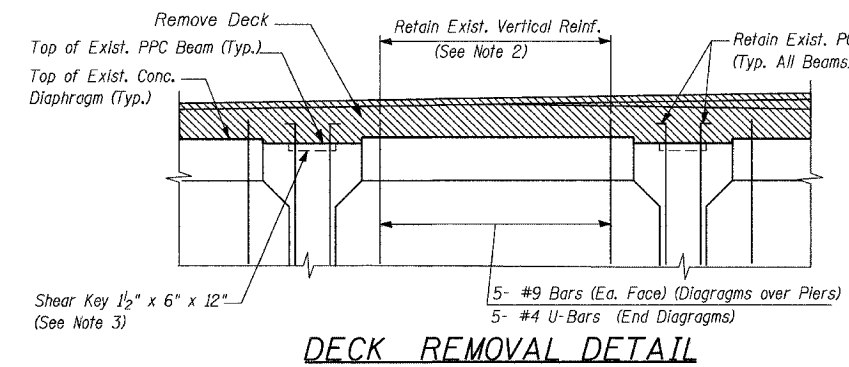
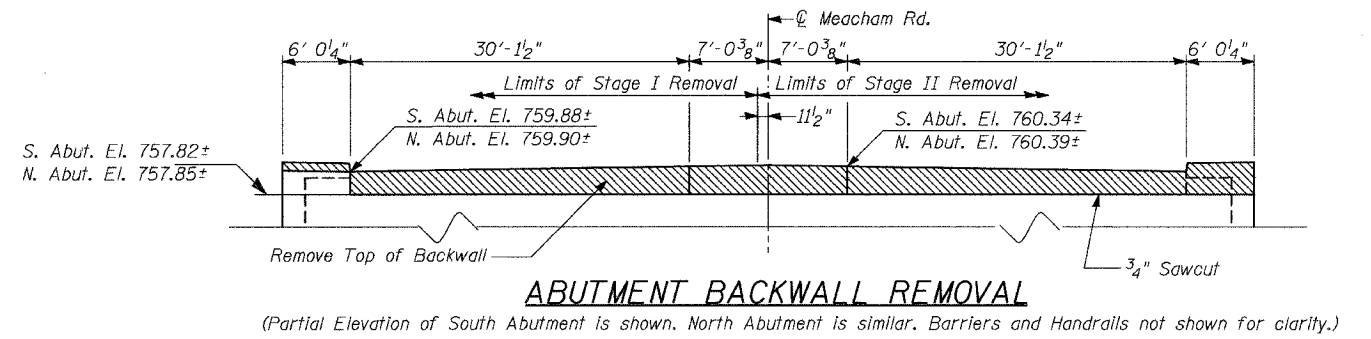
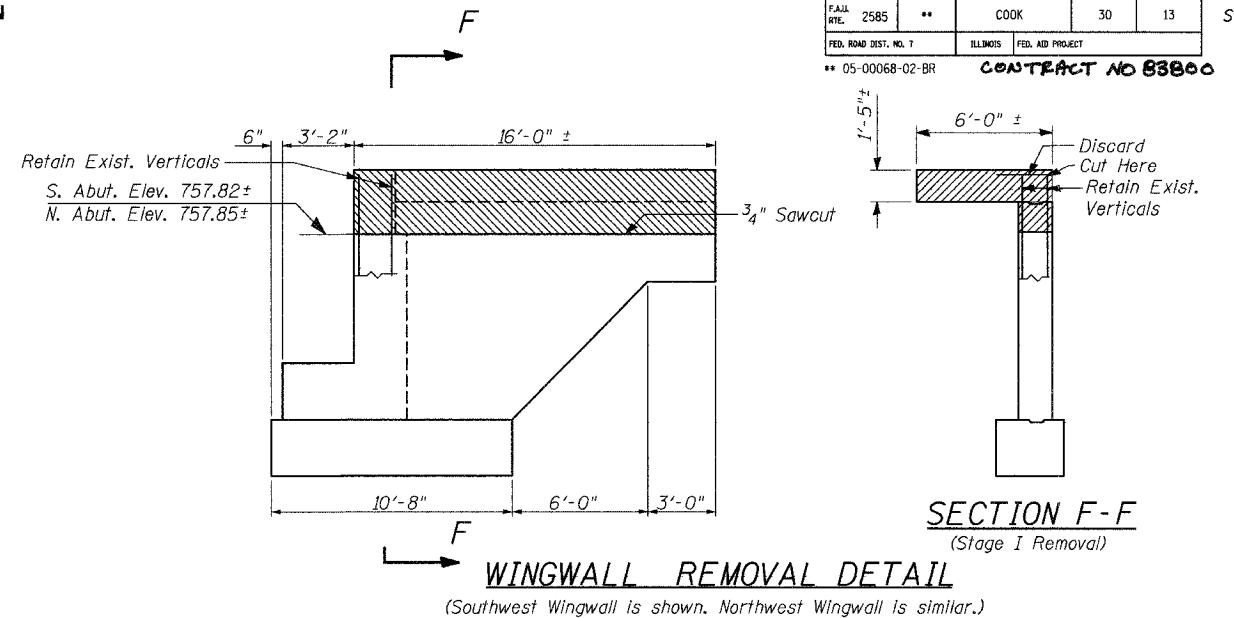
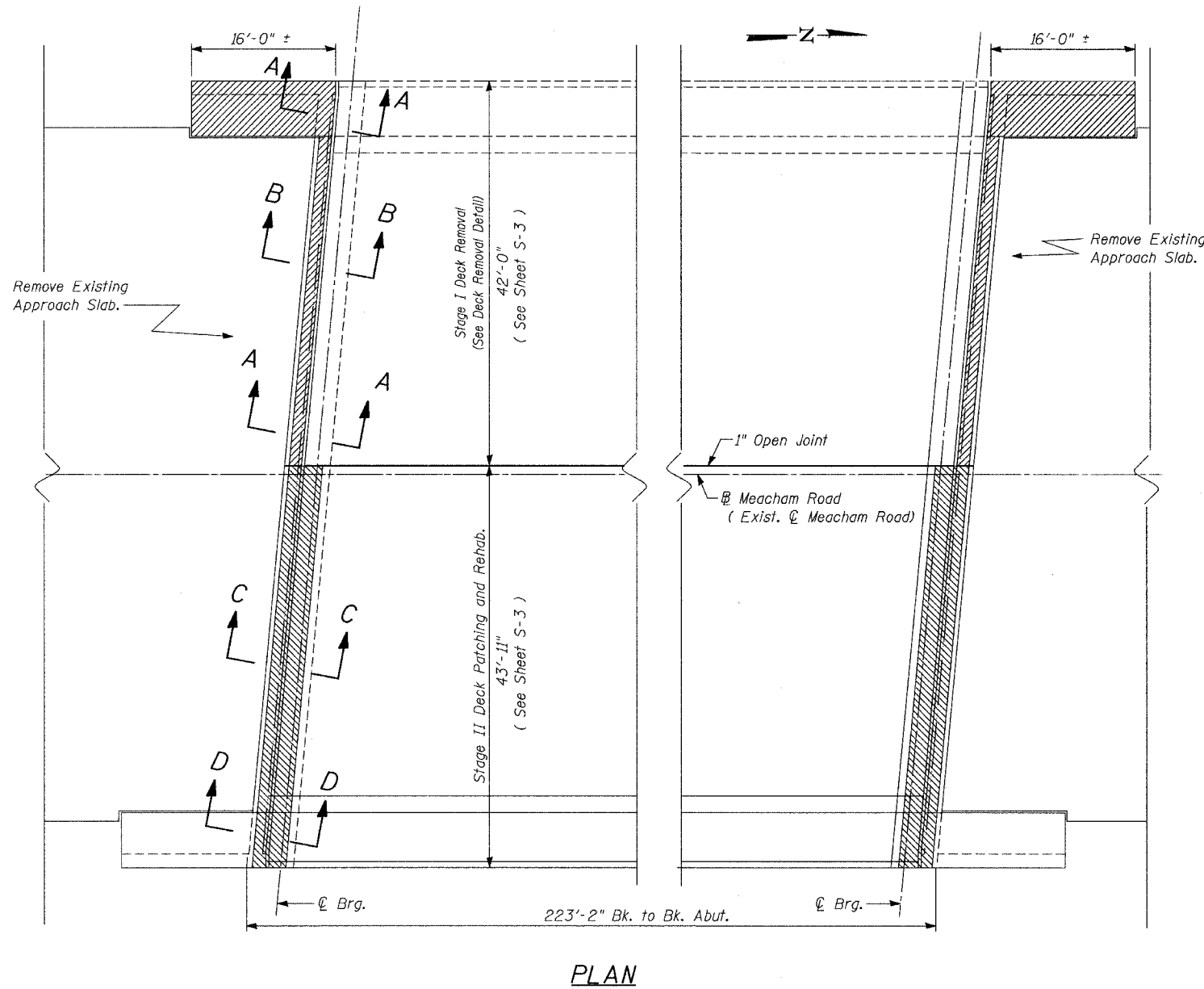


STATE OF ILLINOIS  
DEPARTMENT OF TRANSPORTATION

ROUTE NO.	SECTION	COUNTY	TOTAL SHEETS	SHEET NO.	SHEET NO. S-4 OF S-21 SHEETS
2585	**	COOK	30	13	
FED. ROAD DIST. NO. 7	ILLINOIS	FED. AID PROJECT			
** 05-00068-02-BR		CONTRACT NO 83800			



BILL OF MATERIAL

ITEM	UNIT	TOTAL
Concrete Removal	Cu. Yd.	42.2
Removal of Existing Concrete Deck	Each	1

Notes:

- Cost of Removal of Reinforcement Bars and Expansion Device shall be included in CONCRETE REMOVAL.
- Existing reinforcement shall be sandblasted clean and incorporated into new construction. Cost shall be included in CONCRETE SUPERSTRUCTURES on Sht. S-16.
- All concrete and debris shall be removed from shear keys on top flanges of all beams. For details of existing beams, see Sht. S-14.

STRUCTURAL REMOVAL  
MEACHAM ROAD OVER NORTHWEST TOLLWAY  
F.A.U. ROUTE 2585 SECTION 05-00068-02-BR  
COOK COUNTY  
STA. 285 + 04.18

STRUCTURE NO. 016-0676

DESIGNED: SCHELBIAN/AYARGICOGU  
DRAWN: SCHELBIAN/AYARGICOGU  
CHECKED: RLEE

