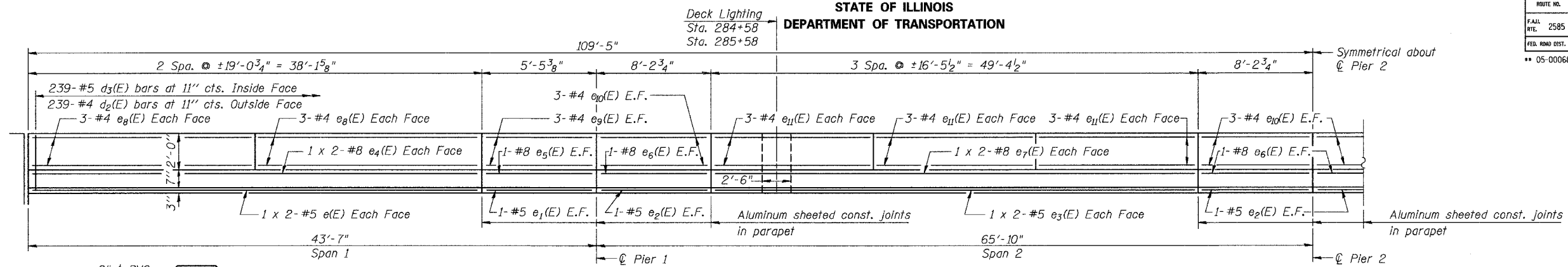


STATE OF ILLINOIS
DEPARTMENT OF TRANSPORTATION

ROUTE NO.	SECTION	COUNTY	TOTAL SHEETS	SHEET NO.
FALL RITE 2585	**	COOK	30	18
FED. ROAD DIST. NO. 7		ILLINOIS	FED. AID PROJECT	
** 05-00068-02-BR		CONTRACT NO 83800		

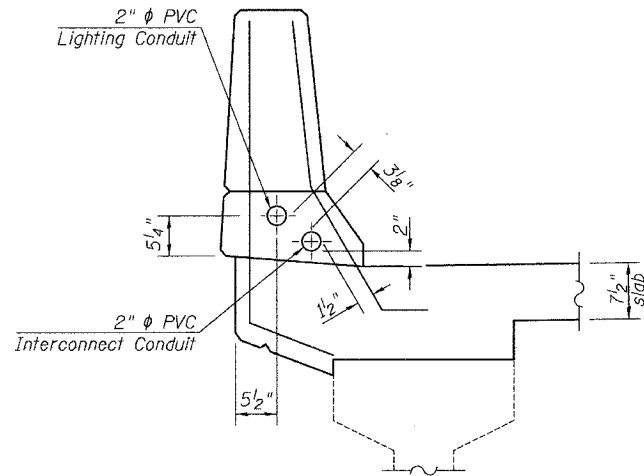
SHEET NO. S-9
OF
S-21 SHEETS



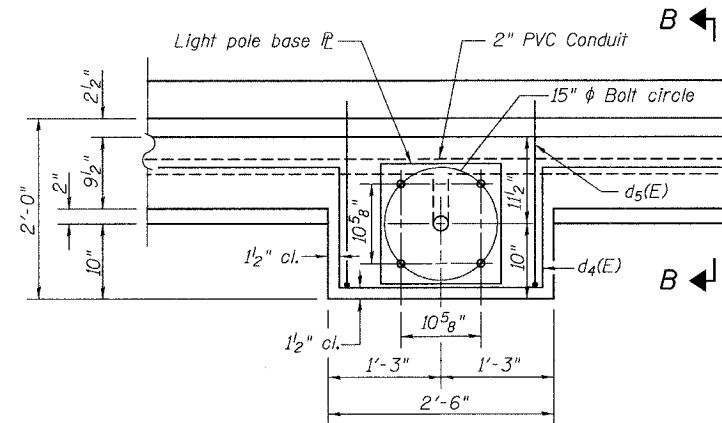
INSIDE ELEVATION OF WEST PARAPET

SUPERSTRUCTURE
BILL OF MATERIAL

Bar	No.	Size	Length	Shape
d(E)	1228	#5	21'-8"	—
d ₁ (E)	352	#6	4'-6"	—
a ₂ (E)	16	#5	2'-0"	—
a ₃ (E)	350	#4	3'-11"	⌊
a ₄ (E)	350	#4	4'-3"	⌊
a ₅ (E)	350	#4	4'-9"	⌊
a ₆ (E)	1050	#4	3'-7"	⌊
b(E)	360	#5	28'-10"	—
b ₁ (E)	41	#6	21'-8"	—
b ₂ (E)	41	#6	26'-4"	—
b ₃ (E)	369	#5	25'-10"	—
d(E)	478	#5	3'-3"	—
d ₁ (E)	478	#5	2'-8"	⌊
d ₂ (E)	239	#4	4'-4"	—
d ₃ (E)	239	#5	3'-11"	⌊
d ₄ (E)	10	#6	8'-11"	⌊
d ₅ (E)	6	#6	4'-5"	⌊
e(E)	16	#5	19'-10"	—
e ₁ (E)	8	#5	5'-2"	—
e ₂ (E)	16	#5	8'-0"	—
e ₃ (E)	16	#5	25'-5"	—
e ₄ (E)	16	#8	20'-10"	—
e ₅ (E)	8	#8	5'-2"	—
e ₆ (E)	16	#8	8'-0"	—
e ₇ (E)	16	#8	26'-5"	—
e ₈ (E)	48	#4	18'-10"	—
e ₉ (E)	24	#4	5'-2"	—
e ₁₀ (E)	48	#4	8'-0"	—
e ₁₁ (E)	72	#4	16'-1"	—
Reinforcement Bars, Epoxy Coated				Lbs. 69,332
Concrete Superstructure				Cu. Yds. 330.7

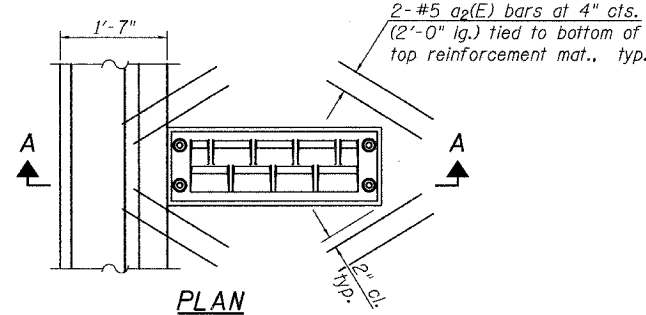


TYPICAL SECTION WEST PARAPET

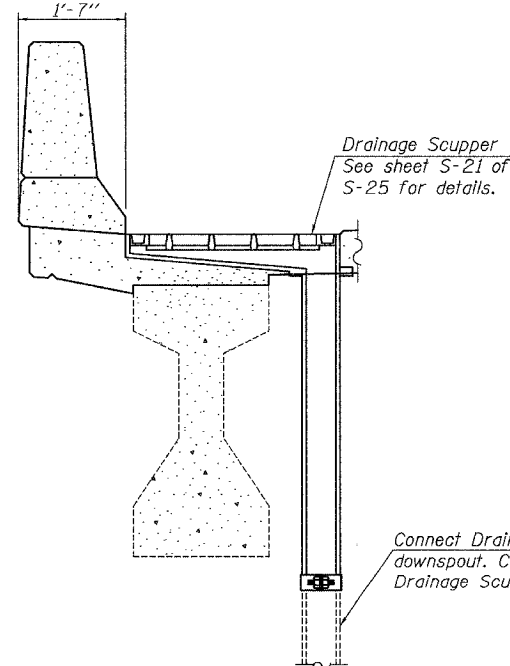


PLAN

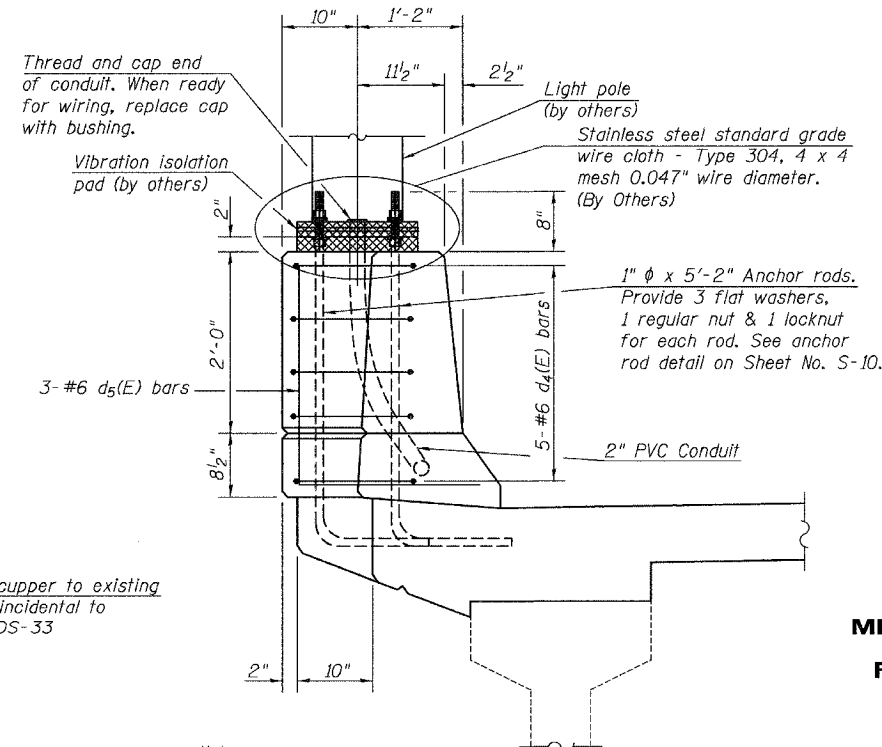
Light Pole Mounted on West Parapet
(At Sta 284+46 & Sta. 285+70)



PLAN

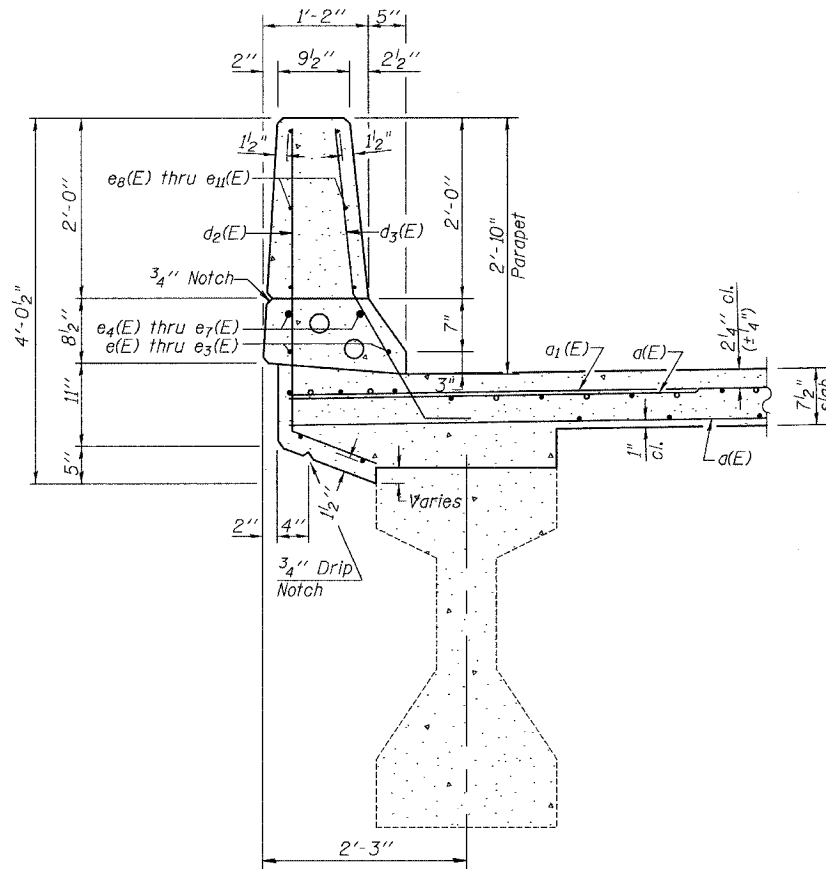


SECTION A-A



SECTION B-B

Note:
Cost of anchor rods and all 2" φ conduit is included with concrete superstructure.



SECTION THRU WEST PARAPET

Notes:

1. Reinforcement bars designated (E) shall be epoxy coated.
2. Cut longitudinal reinforcement to clear Drainage Scuppers.
3. Work this sheet with S-7 and S-10.
4. Bars indicated thus 1 x 2-#5 etc. indicates 1 line of bars with 2 lengths per line.
5. Minimum lap shall be 1'-4" for #4 bars, 1'-8" for #5 bars, and 3'-5" for #8 bars.
6. E.F. denotes Each Face.

DECK AND PARAPET DETAILS I
MEACHAM ROAD OVER NORTHWEST TOLLWAY
F.A.U. ROUTE 2585 SECTION 05-00068-02-BR
COOK COUNTY
STA. 285 + 04.18

STRUCTURE NO. 016-0676



DESIGNED: SCHELBIAN/AYARGICOGU
DRAWN: SCHELBIAN/AYARGICOGU
CHECKED: RLEE