

STATE OF ILLINOIS  
DEPARTMENT OF TRANSPORTATION

ROUTE NO.	SECTION	COUNTY	TOTAL SHEETS	SHEET NO.
FALL RITE	2585	**	COOK	30
FED. ROAD DIST. NO. 7	ILLINOIS	FED. AID PROJECT		

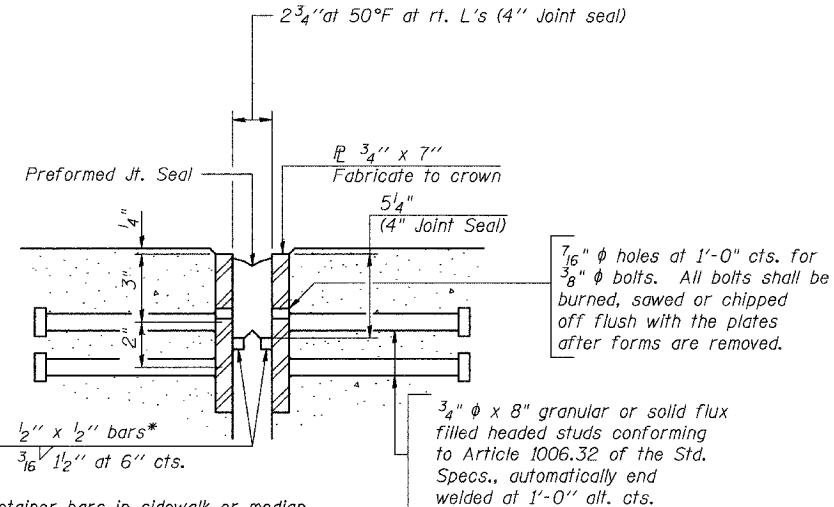
SHEET NO. S-11  
OF  
S-21 SHEETS

\*\* 05-00068-02-BR CONTRACT NO B3800

GENERAL NOTES

Furnish steel plates in segments of 20 feet maximum length. Maximum space between installed segments shall be 3/16". Seal space with silicone sealant suitable for structural steel.

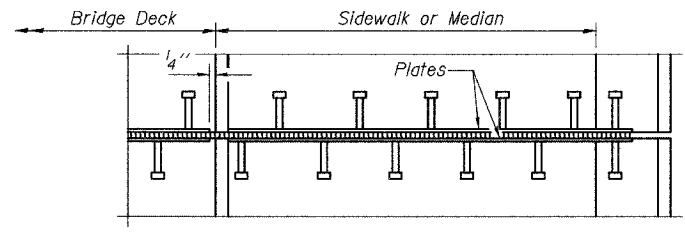
Bridge Joint System (Expansion)		
Design Movement	Required Prefomed Joint Seal Size	Required Strip Seal Rated movement
1 5/8"	4"	2"



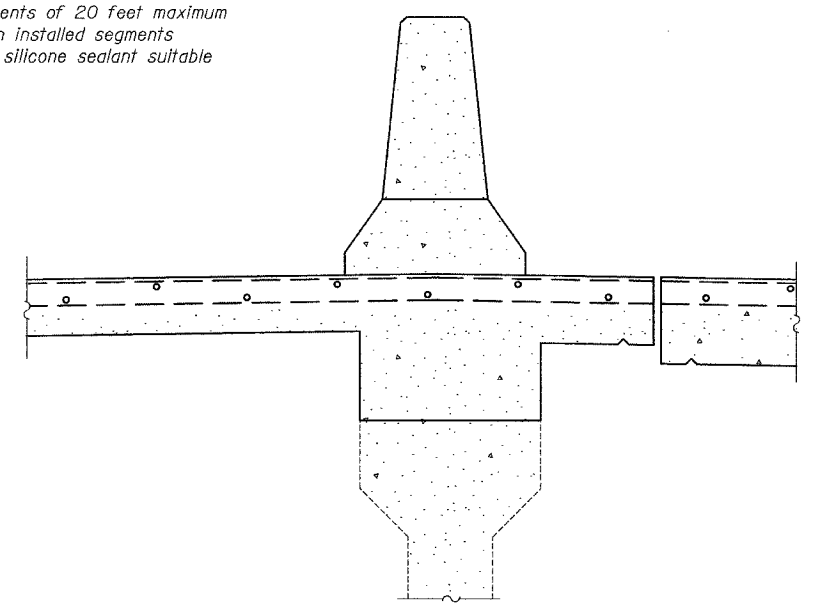
SECTION THRU EXPANSION JOINT

4" joint seals without wearing surface  
(680 Studs Required)

\*Cut retainer bars in sidewalk or median 6" short of the sidewalk or median face.

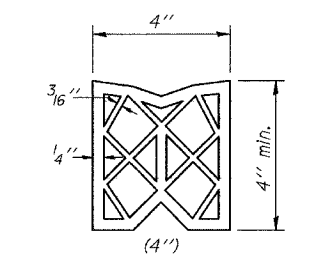


PLAN AT SIDEWALK OR MEDIAN

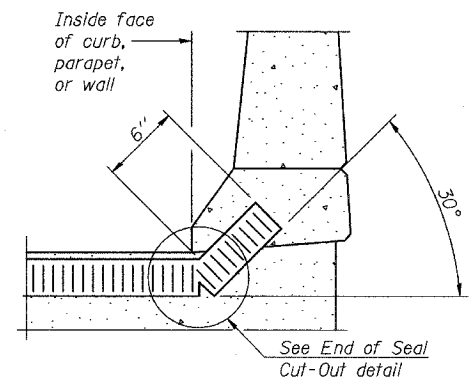


AT MEDIAN

Plate is shown. Seal is continuous.

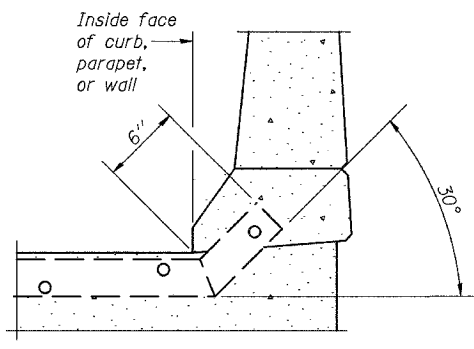


PREFORMED JOINT SEAL



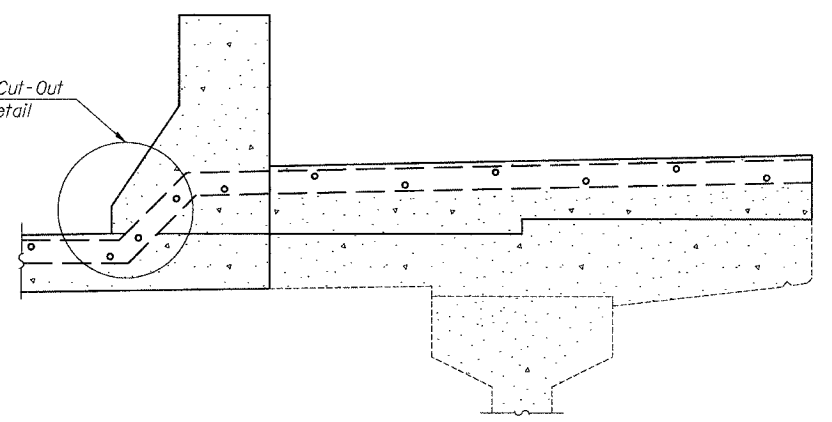
AT CURB, PARAPET, OR WALL

(Showing seal)



AT CURB, PARAPET, OR WALL

(Showing plate)



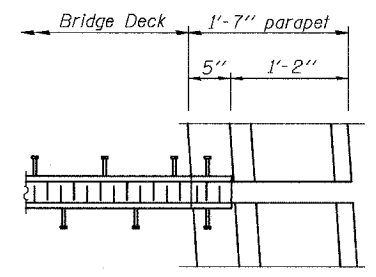
AT SIDEWALK

Plate is shown. Seal is continuous.

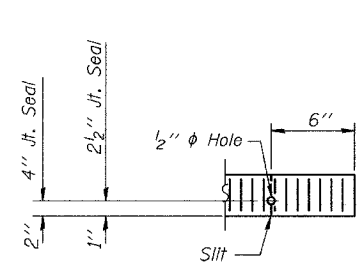
TYPICAL END TREATMENTS

BILL OF MATERIAL

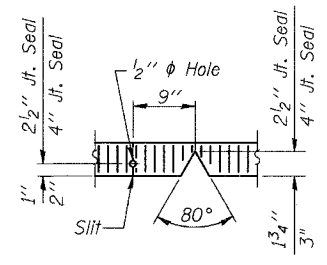
Item	Unit	Total
Bridge Joint System (Expansion)	foot	170.0



PLAN AT PARAPET



END OF SEAL CUT-OUT



SEAL CUT-OUT AT CURB

BRIDGE JOINT SYSTEM - EXPANSION  
(PREFORMED JOINT SEAL)  
MEACHAM ROAD OVER NORTHWEST TOLLWAY  
F.A.U. ROUTE 2585 SECTION 05-00068-02-BR  
COOK COUNTY  
STA. 285 + 04.18  
STRUCTURE NO. 016-0676

MACTEC  
DESIGNED:  
DRAWN: SCHELBAN/AYARGICOLU  
CHECKED: RLEE